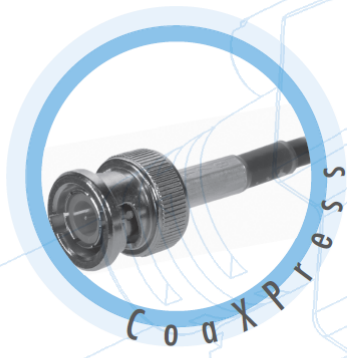


# CoaXPress CABLES

## NEXT GENERATION DIGITAL INTERFACE



### PART NUMBER REFERENCE



#### Select Connector Type: End "A"

- |   |                                    |
|---|------------------------------------|
| BNC = 1                                 | 5W5 = 2                            |
| DIN 1.0/2.3 Push / Pull Type = 3        | DIN 1.0/2.3 Screw Type = 4         |
| DIN 1.0/2.3 Female Panel Mount Type = 5 | DIN 1.0/2.3 R/A Push Pull Type = 6 |
| TNC Male Type = 7                       | HD-BNC Male Type = 8               |
| HD-BNC Jack Type = 9                    | R/A HD-BNC Male Type = 10          |

#### Use "0" for Non-molded

Except, skip when connector type 10 is used.

#### Quantity of Connectors:

Non-Molded Individual Connector Qty's: 0\*, 1, 2, 3, 4

See Next Page for Available Molded DIN Profiles:

# 2 (2 Pos.), #4 (4 Pos.), #4R (4 Pos. R/A)

#### \*\*Cable Type Options:

Connector & Cable Type Compatibility:

Cable Type #: 1 & 4, are suitable for all connector types except #: 7 (TNC)

Cable Type #: 2 & 5, are suitable for connector types #: 1, 3, 7, 8

Cable Types #: 3 & 6, are suitable for connector types #: 1, 3, 8

- |                       |
|-----------------------|
| Miniature Coax = 1    |
| Hi Flex RG59 = 2      |
| RG6 Quad Shield = 3   |
| Mini-RG59, 12 GHz = 4 |
| RG59, 12 GHz = 5      |
| RG6 PVC, 12 GHz = 6   |

#### Select Connector Type: End "B"

- |   |                                    |
|---|------------------------------------|
| BNC = 1                                 | 5W5 = 2                            |
| DIN 1.0/2.3 Push / Pull Type = 3        | DIN 1.0/2.3 Screw Type = 4         |
| DIN 1.0/2.3 Female Panel Mount Type = 5 | DIN 1.0/2.3 R/A Push Pull Type = 6 |
| TNC Male Type = 7                       | HD-BNC Male Type = 8               |
| HD-BNC Jack Type = 9                    | R/A HD-BNC Male Type = 10          |

#### Use "0" for Non-molded

Except, skip when connector type 10 is used.

#### Quantity of Connectors:

Non-Molded Individual Connector Qty's: 0\*, 1, 2, 3, 4

See Next Page for Available Molded DIN Profiles:

# 2 (2 Pos.), #4 (4 Pos.), #4R (4 Pos. R/A)

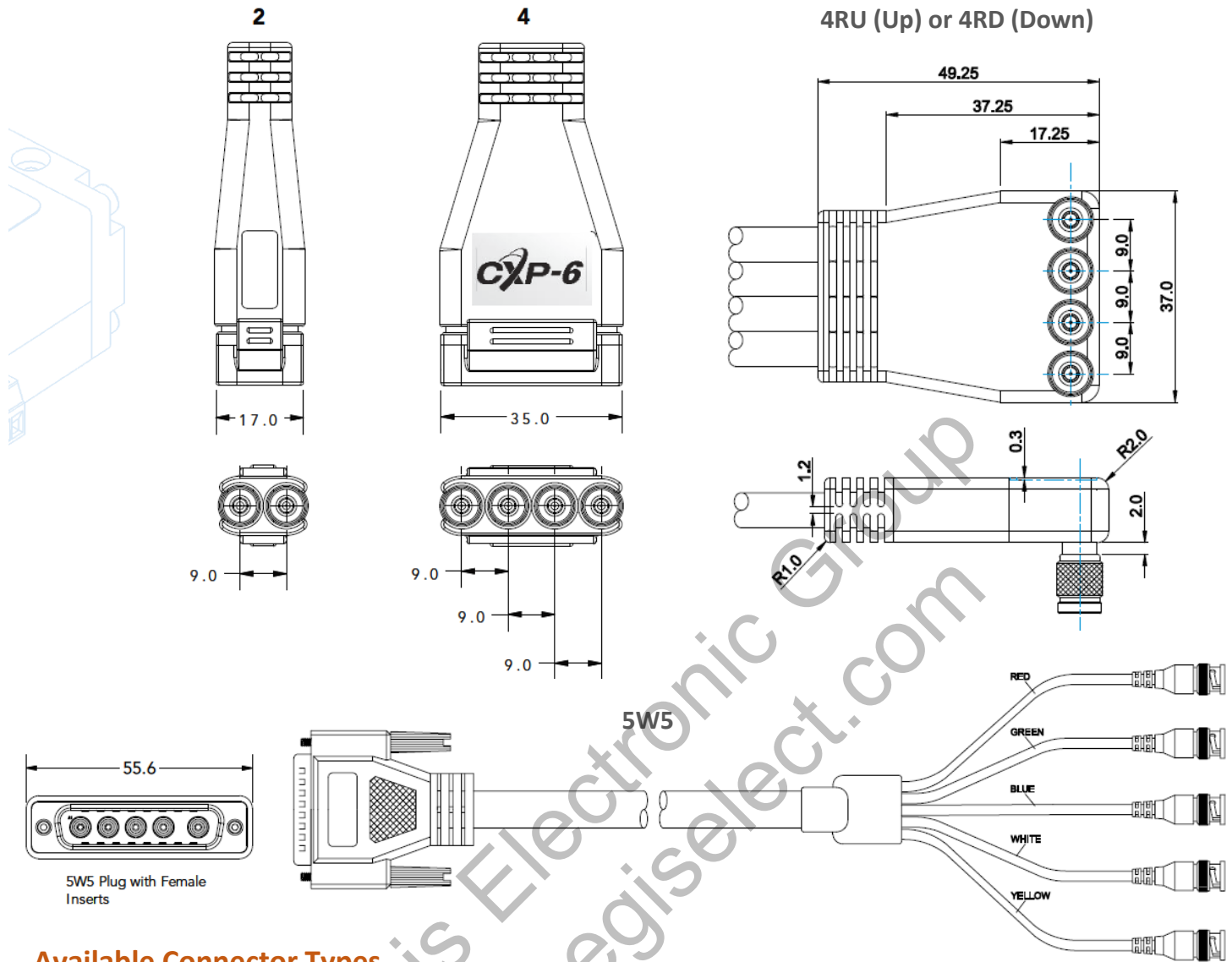
#### Option: Length in Meters

\* For use with 5W5 connector only.

\*\*Reflects cable style used, see specification sheet for dimensional information per configuration.

Temp: 5-19-20

## Available Molded DIN 1.0/2.3 Profiles



## Available Connector Types

#: 1, BNC



#: 2, 5W5



#: 3, DIN 1.0/2.3  
Push / Pull



#: 4, DIN 1.0/2.3  
Screw Type



#: 5, DIN 1.0/2.3 Female Panel Mount  
for Push / Pull & Screw Type



#: 6, DIN 1.0/2.3  
R/A Push / Pull



#: 7, TNC Male



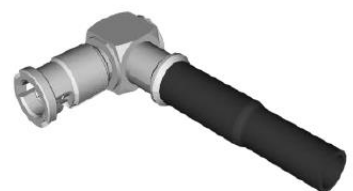
#: 8, HD-BNC



#: 9, HD-BNC Jack



#: 10, R/A HD-BNC



Temp: 5-19-20