

ML2Z0525UC-MPWIR

Lens  nnect

f=5.5-12.7mm F2.5 for 2/3 Type 9Megapixel cameras

Motorized Control Vari-focal
USB interface, C-Mount



----- Key Features -----

- Possible to change FOV to meet each situation
- High-quality performance from MOD to Infinity
- Option : Possible to add ICR switcher inside the lens
- IR Corrected

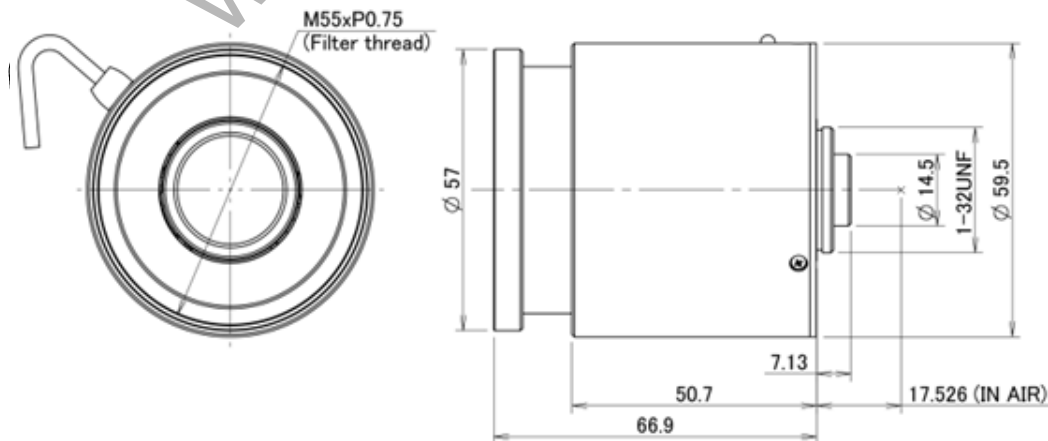
Optical Specifications

| | | | | | | | |
|----------------------------|------------|-------------------|----------------|-----------------------|---------------|-------------------|---------------|
| Model No. | | ML2Z0525UC-MPWIR | | Effective Lens | Front | φ21.4mm | |
| Focal Length | | 5.5-12.7mm | | Aperture | Rear | φ9.8mm | |
| F-Number | Wide | F2.5 - F16C | | Max. Image Circle | | φ11.4mm | |
| | Tele | F3.7 - F16C | | Back Focal Length | Wide | 11.4mm (in Air) | |
| Focus Operation Range | Wide | 0.10m - Inf. | | | Tele | 11.4mm (in Air) | |
| | Tele | 0.10m - Inf. | | Flange Back Length | | 17.526mm (In Air) | |
| Max. Optical Magnification | Wide | 0.05x | | Distortion (2/3 Type) | Wide | -25.7% | |
| | Tele | 0.10x | | | Tele | -3.6% | |
| Angle of View | Diagonal | 2/3 Type | 105.2° ~ 49.6° | 1/1.8 Type | 87.8° ~ 41.0° | 1/3 Type | 59.8° ~ 27.6° |
| | Horizontal | 8.8mm x 6.6mm | 86.0° ~ 40.1° | | | 7.2mm x 5.4mm | 48.1° ~ 22.2° |
| | Vertical | (11.0mm diagonal) | 65.6° ~ 30.3° | | | (9.0mm diagonal) | 54.0° ~ 24.9° |

Mechanical & Electrical Specifications

| | | | | | | | |
|-----------------------|-------|----------------------|--|-----------------------|------------------|--|--|
| Control Interface | | USB2.0 | | Dimensions | φ59.5mm x 66.9mm | | |
| Power mode | | Bus power (5V:500mA) | | Mount | C-Mount | | |
| Command response time | | < 2ms | | Weight | 172g | | |
| Connector | | USB TypeA | | Filter thread | M55 x P0.75mm | | |
| Control | Iris | Motorized | | ICR switcher | - | | |
| | Focus | Motorized | | Tripod Screw | - | | |
| | Zoom | Motorized | | Operating temperature | -20°C - +60°C | | |

Dimensions



Unit:mm

Length of Cable

300±20 (mm)

This specification is subject to change without any notice.

2025.05