

# Lens onnect<sup>®</sup> SERIES

Industry-First

TELECENTRIC LENS

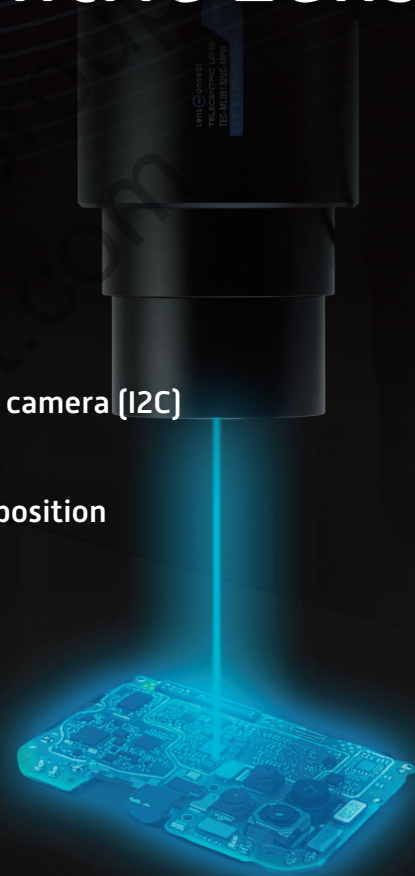
## Focus-driven Telecentric Lens

### Magnification

### 0.25x, 0.5x, 1x, and 2x !

### Customization available

- Can be easily operated remotely from a compatible camera (I2C)
- Focus can be operated remotely
- Maintain telecentricity even when adjusting focus position
- Support for 2.74μ pixel size
- Two selectable interfaces (I2C/USB)
- Customization available for magnification

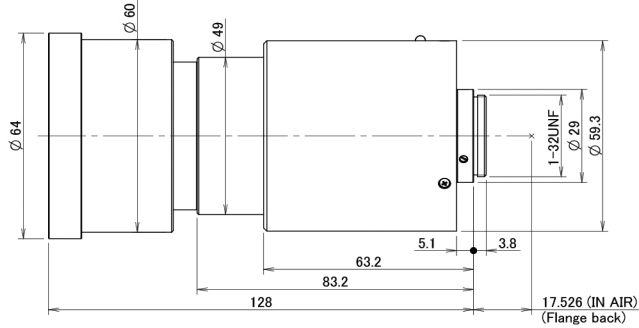


**2/3" Compatible 8MP  
and C-mount**



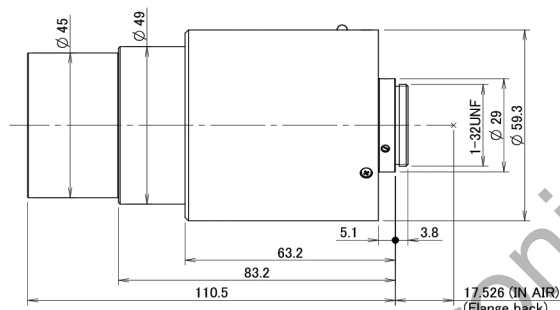
Model	Magnification	WD	F No.
TEC-ML025139U/SC-MPW	0.25 ×	139 ± 20mm	6.5
TEC-ML05132U/SC-MPW	0.5 ×	132 ± 10mm	6.5
TEC-ML10110U/SC-MPW	1.0 ×	110 ± 7.5mm	6.5
TEC-ML2071U/SC-MPW	2.0 ×	71 ± 5mm	6.5

## TEC-ML025139U/SC-MPW



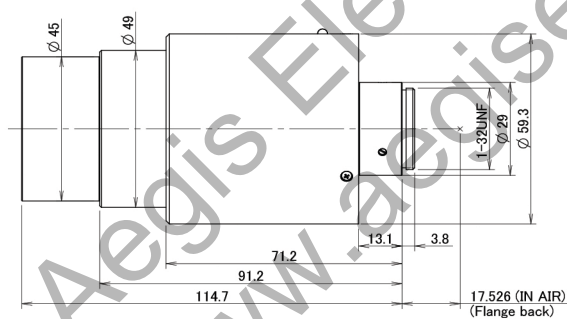
Max. Image Circle	Φ 11.4mm
Magnification	0.25x
Adjustable Working Distance	119mm-159mm
Resolving Power*1	17.7μm
Depth of Field *2	8.32mm
NA	0.019
Filter size	M62 P=0.75mm

## TEC-ML05132U/SC-MPW



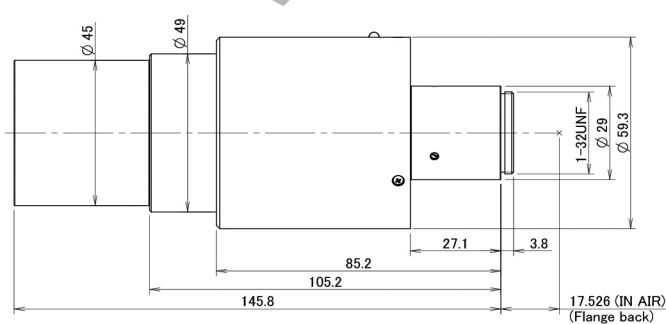
Max. Image Circle	Φ 111.4mm
Magnification	0.5x
Adjustable Working Distance	122mm-144mm
Resolving Power*1	8.6μm
Depth of Field *2	2.08mm
NA	0.039
Filter size	M43 P=0.75mm

## TEC-ML10110U/SC-MPW



Max. Image Circle	Φ 111.4mm
Magnification	1.0x
Adjustable Working Distance	102.5mm-117.5mm
Resolving Power*1	4.4μm
Depth of Field *2	0.52mm
NA	0.077
Filter size	M43 P=0.75mm

## TEC-ML2071U/SC-MPW



Max. Image Circle	Φ 111.4mm
Magnification	2.0x
Adjustable Working Distance	66mm-76mm
Resolving Power*1	2.2μm
Depth of Field *2	0.13mm
NA	0.154
Filter size	M43 P=0.75mm

This specification is subject to change without any notice.

\*1: Resolving power =  $0.61 \times \lambda / NA$  (lambda = 550nm)  
\*2: Depth of Field =  $2 \times (\text{Permissible circle of confusion } [40\mu\text{m}] \times \text{Effective F-number} / \text{Magnification}^2)$