

# DL3525UC-MPY

**f=35mm F2.5**

**for 1/1.1 Type 12Megapixel cameras, Motorized Control Fixed-focal**

**USB interface, C-Mount**

## Optical Specifications

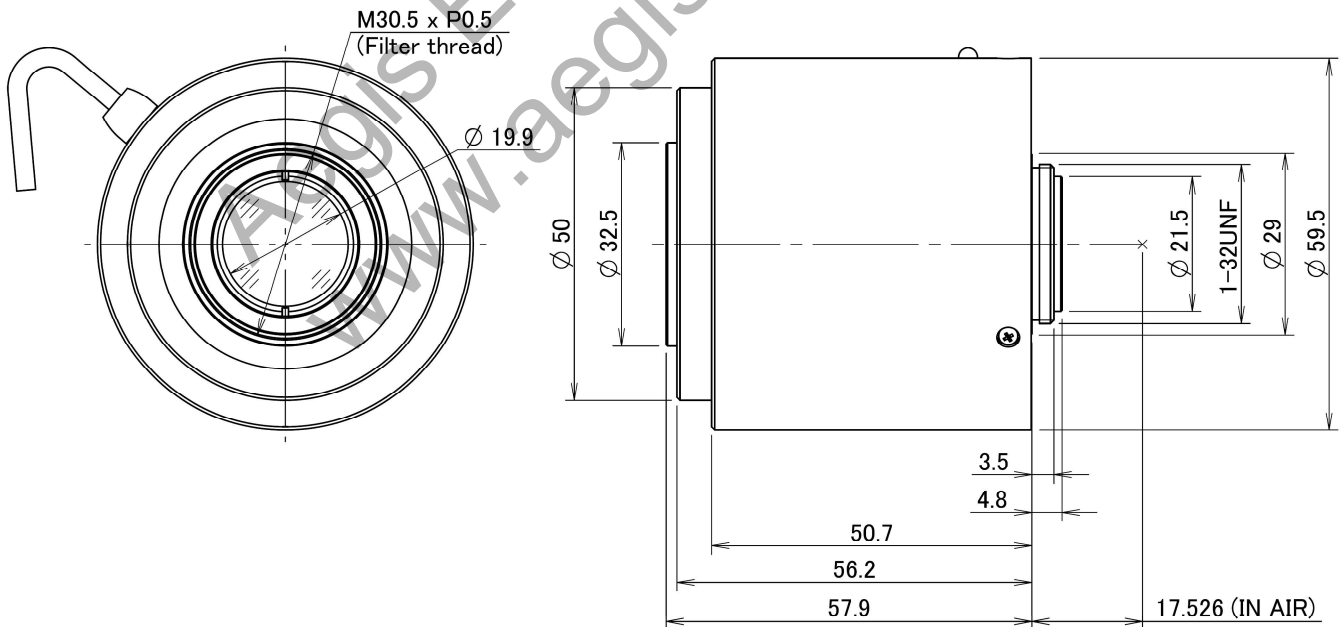
Model No.		DL3525UC-MPY		Effective Lens Aperture		Front:φ19.6mm Rear:φ14.5mm	
Focal Length		35mm		Back Focal Length		14.3mm (in Air)	
Operation Range	Iris	F2.5 - F16.0		Flange Back Length		17.526mm (In Air)	
	Focus	0.16m - Inf.		Max. Image Circle		φ14.4mm	
Object Dimension at M.O.D.	1/1.1 Type	56.7mm x 41.4mm		Distortion	1/1.1 Type	0.0%	
	2/3 Type	44.3mm x 33.2mm			2/3 Type	0.0%	
	1/1.8 Type	36.2mm x 27.1mm			1/1.8 Type	0.0%	
Angle of View	D	1/1.1 Type	22.5°	2/3 Type	17.9°	1/1.8 Type	14.7°
	H	11.22mm x 8.22mm		8.8mm x 6.6mm	14.3°	7.2mm x 5.4mm	
	V	(φ13.9mm)		(φ11.0mm)	10.8°	(φ9.0mm)	

## Mechanical & Electrical Specifications

Control Interface		USB2.0		Dimensions		As per the attached drawing	
Power mode		Bus power (500mA)		Mount		C-Mount	
Connector		USB TypeA		Weight		160g	
Operating Temperature		-20°C - +60°C		Tripod Screw		-	
Control	Iris	Motorized		Filter thread		M30.5 x P0.5mm	
	Focus	Motorized		IRCF switcher		-	

## Dimensions

Unit:mm



## Length of Wire

300±20 (mm)

This specification is subject to change without any notice.

2022.11