

# DL1623UC-MPY

**f=16mm F2.3**

**for 1/1.1 Type 12Megapixel cameras, Motorized Control Fixed-focal**

**USB interface, C-Mount**

## Optical Specifications

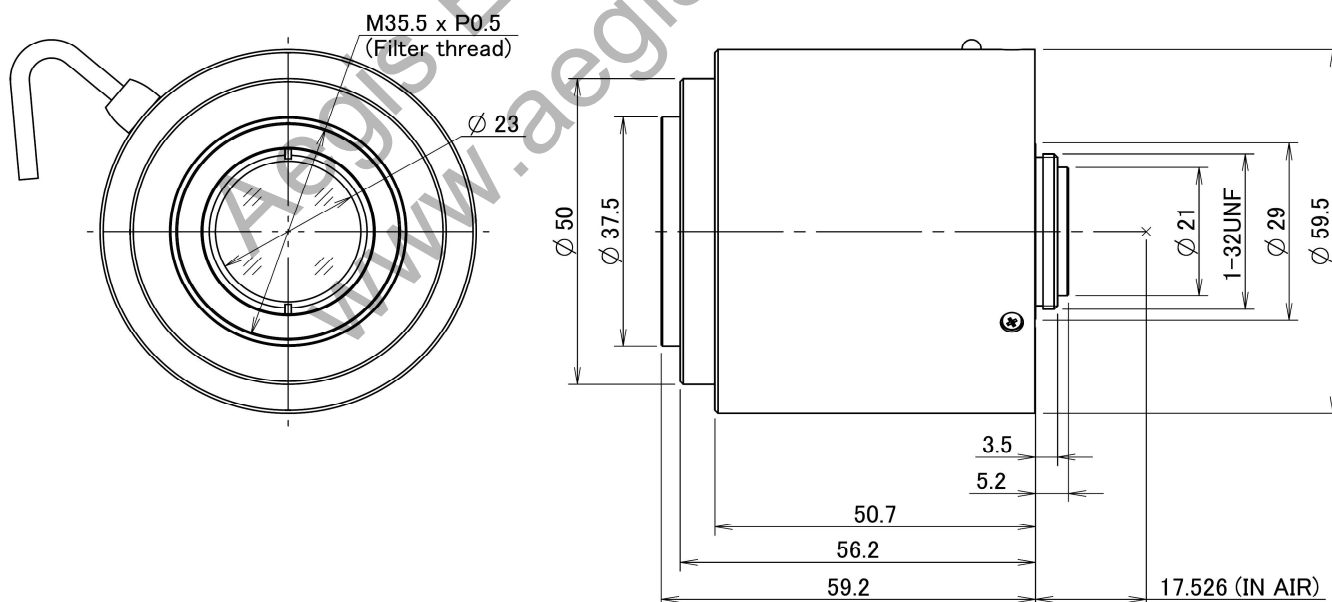
Model No.	DL1623UC-MPY		Effective Lens Aperture	Front:φ22.8mm Rear:φ13.5mm			
Focal Length	16mm		Back Focal Length	14.3mm (In Air)			
Operation Range	Iris	F2.3 - F16.0		Flange Back Length	17.526mm (In Air)		
	Focus	0.11m - Inf.		Max. Image Circle	φ14.4mm		
Object Dimension at M.O.D.	1/1.1 Type	81.0mm x 59.2mm		Distortion	1/1.1 Type	0.0%	
	2/3 Type	63.4mm x 47.4mm			2/3 Type	-0.7%	
	1/1.8 Type	51.8mm x 38.7mm			1/1.8 Type	-0.7%	
Angle of View	D	1/1.1 Type	47.0°	2/3 Type	38.2°	1/1.8 Type	31.6°
	H	11.22mm x 8.22mm			31.0°		25.5°
	V	(φ13.9mm)	29.0°		(φ11.0mm)		23.4°

## Mechanical & Electrical Specifications

Control Interface	USB2.0		Dimensions	As per the attached drawing			
Power mode	Bus power (500mA)		Mount	C-Mount			
Connector	USB TypeA		Weight	173g			
Operating Temperature	-20°C - +60°C		Tripod Screw	-			
Control	Iris	Motorized		Filter thread	M35.5 x P0.5mm		
	Focus	Motorized		IRCF switcher	-		

## Dimensions

Unit:mm



## Length of Wire

300±20 (mm)

This specification is subject to change without any notice.

2022.11