

DL1224UC-MPY

f=12mm F2.4

**for 1/1.1 Type 12Megapixel cameras, Motorized Control Fixed-focal
USB interface, C-Mount**

Optical Specifications

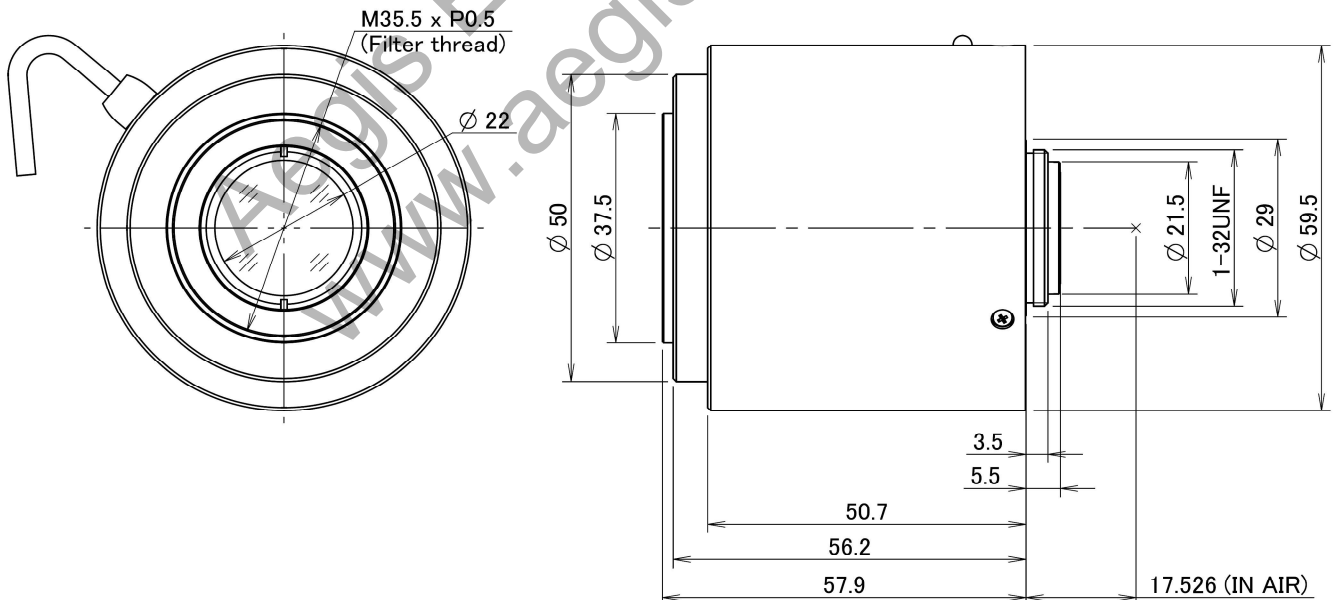
Model No.		DL1224UC-MPY		Effective Lens Aperture		Front:φ21.8mm Rear:φ14.2mm	
Focal Length		12mm		Back Focal Length		14.6mm (In Air)	
Operation Range	Iris	F2.4 - F16.0		Flange Back Length		17.526mm (In Air)	
	Focus	0.1m - Inf.		Max. Image Circle		φ14.4mm	
Object Dimension at M.O.D.	1/1.1 Type	100.6mm x 73.0mm		Distortion	1/1.1 Type	-0.1%	
	2/3 Type	78.3mm x 58.4mm			2/3 Type	-1.0%	
	1/1.8 Type	63.8mm x 47.6mm			1/1.8 Type	-1.0%	
Angle of View	D	1/1.1 Type	60.2°	2/3 Type	49.7°	1/1.8 Type	41.5°
	H	11.22mm x 8.22mm	50.5°	8.8mm x 6.6mm	40.6°	7.2mm x 5.4mm	33.6°
	V	(φ13.9mm)	38.1°	(φ11.0mm)	31.0°	(φ9.0mm)	25.5°

Mechanical & Electrical Specifications

Control Interface		USB2.0		Dimensions		As per the attached drawing	
Power mode		Bus power (500mA)		Mount		C-Mount	
Connector		USB TypeA		Weight		163g	
Operating Temperature		-20°C - +60°C		Tripod Screw		-	
Control	Iris	Motorized		Filter thread		M35.5 x P0.5mm	
	Focus	Motorized		IRCF switcher		-	

Dimensions

Unit:mm



Length of Wire

300±20 (mm)

This specification is subject to change without any notice.

2022.11