

DL0828UC-MPY

f=8mm F2.8

for 1/1.1 Type 12Megapixel cameras, Motorized Control Fixed-focal

USB interface, C-Mount

Optical Specifications

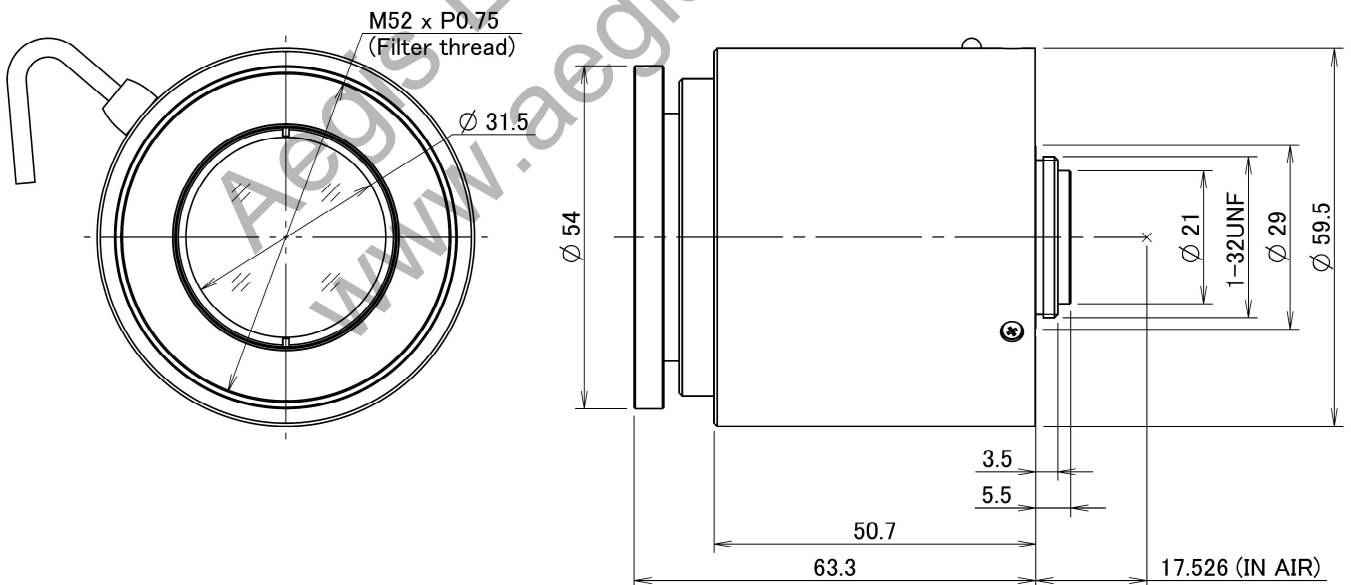
Model No.	DL0828UC-MPY		Effective Lens Aperture	Front:φ31.2mm Rear:φ12.9mm			
Focal Length	8mm		Back Focal Length	13.0mm (In Air)			
Operation Range	Iris	F2.8 - F16.0	Flange Back Length	17.526mm (In Air)			
	Focus	0.1m - Inf.	Max. Image Circle	φ14.4mm			
Object Dimension at M.O.D.	1/1.1 Type	155.6mm x 113.0mm	Distortion	1/1.1 Type	0.0%		
	2/3 Type	121.2mm x 90.2mm		2/3 Type	-1.6%		
	1/1.8 Type	98.6mm x 73.5mm		1/1.8 Type	-1.7%		
Angle of View	D	1/1.1 Type	80.4°	2/3 Type	68.3°	1/1.8 Type	58.1°
	H	11.22mm x 8.22mm	69.4°	8.8mm x 6.6mm	57.0°	7.2mm x 5.4mm	47.8°
	V	(φ13.9mm)	53.8°	(φ11.0mm)	44.1°	(φ9.0mm)	36.6°

Mechanical & Electrical Specifications

Control Interface	USB2.0		Dimensions	As per the attached drawing	
Power mode	Bus power (500mA)		Mount	C-Mount	
Connector	USB TypeA		Weight	178g	
Operating Temperature	-20°C - +60°C		Tripod Screw	-	
Control	Iris	Motorized	Filter thread	M52 x P0.75mm	
	Focus	Motorized	IRCF switcher	-	

Dimensions

Unit:mm



Length of Wire

300±20 (mm)

This specification is subject to change without any notice.

2022.11