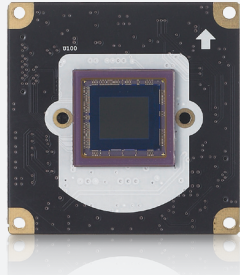


DM-G15-42

2MP Global Shutter CMOS Sensor
42mm x 42mm, 2Boards

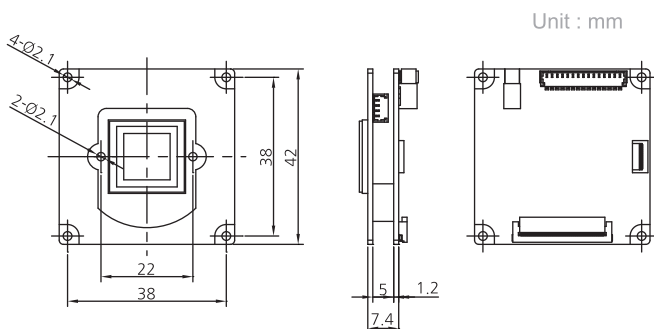
HD-SDI **EX-SDI** **BT.1120** **CVBS**



Features

- 1/1.8" Sony Global Shutter CMOS Sensor
- 1080p30(25)fps, 1080p60(50)fps, 720p60(50)fps
- Supports external Trigger input and Strobe output
- DC and Manual lens applicable
- Digital Zoom (1x ~ 6x)
- Digital Noise Reduction(2D+3D)
- Privacy Mask Function
- High Light Compensation
- Intelligent Motion Detection
- Defog Function
- Lens Shading Compensation
- Supports Pelco-P / Pelco-D / VISCA
- Video Out : BT.1120, HD-SDI, EX-SDI, CVBS
- Dimension : 42mm X 42mm X 1.2mm x 2 Boards

Dimensions



Specifications

MODEL	DM-G15-42
Image Sensor	1/1.8" Sony Global Shutter CMOS Sensor
Total Pixels	2,064(H) x 1,554(V) = 3.21M Pixels
Recording pixels	1,920(H) x 1,080(V) = 2.07M Pixels
Scanning System	Progressive Sacn
Resolution	Digital : 1080p/60(50), 1080p/30(25)fps, 720p/60(50)fps, 720p/30(25)fps Analog : 700TVL
Min. Illumination	TBD
Video Output	HD : BT.1120, HD-SDI, EX-SDI Analog SD : CVBS (optional)
Lens	DC / Manual
Brightness	0 ~ 20 steps
Shutter Speed	1/30(25) ~ 1/10,000 sec
DSS	Off, 2x, 3x, 4x, 5x, 6x, 7x, 8x, 9x, 10x, 12x, 15x
AGC	Off / On
BLC	Off / On
Day&Night	Auto / Day / Night / Ext-in
White Balance	Auto / One Push / Manual / Indoor / Outdoor
HLC	Off / On
DNR	OFF / 2D / 3D / 2D+3D(Auto/Low/Middle/High)
Mirror	Off / H / V / H&V
Sharpness	0 ~ 20 steps
ACE	Off / Manual (0~11 steps)
Defog	Off / Manual (0~11 steps)
Freeze	Off / On
Digital Zoom	Off / On (1x ~ 6x)
Privacy Mask	Off / On (8 positions)
Motion Detection	Off / On (4 positions)
Defect Detection	One Push
System	NTSC / PAL
Communication	ID : 1 ~ 255 Baud Rate : 2400 / 4800 / 9600 / 19200 / 38400 / 57600 / 115200 Protocol : Pelco-P / Pelco-D / VISCA
Language	English / Chinese / Japanese
Power Source	DC12V±10%
Power Consumption	350mA
Power Input	Connector
Video Output	MMCX Connector
Operating Temperature	-10℃ ~ +50℃ (Humidity : 0%RH ~ 90%RH)
Storage Temperature	-20℃ ~ +60℃ (Humidity : 0%RH ~ 90%RH)
Dimensions	42(W) x 42(H) x 1.2(D)
Weight	20g

* Design and specifications are subject to change without notice.