

WGK-HS407Q-RTC

WONWOO

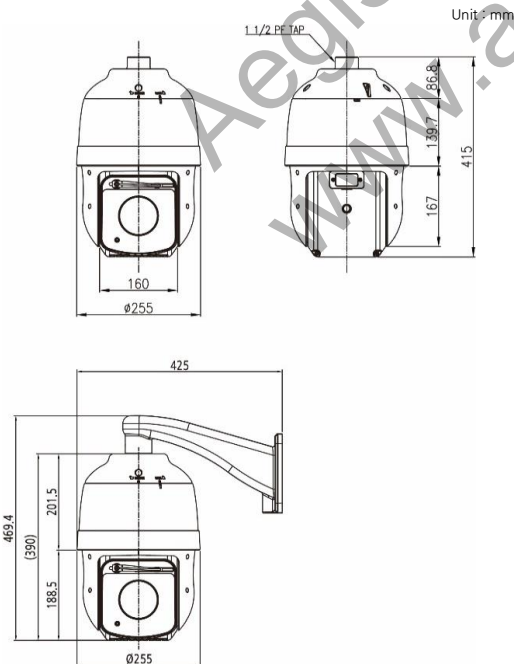
4MP 40x Mechanical Rotation for Corridor View IR PTZ Camera



Features

- 1/1.8" Sony CMOS Sensor
- NETWORK, CVBS
- 40x Optical Zoom(6.5 mm ~ 260.0 mm) & x32 Digital Zoom
- Day & Night(ICR)
- Wide Dynamic Range
- Digital Noise Reduction
- Electronic Image Stabilization
- Privacy Mask Function
- High Light Compensation
- Defog Function, Optical Defog
- 255 Presets, 8 Tours, 4 Swing, 4 Pattern
- 360° Endless Panning and -25° Tilting
- Image rotation mechanically flips the camera image through a quarter turn
- IR Night Distance up to 500m
- Outdoor PTZ design (Fan & Heater) considering -40℃~60℃ environment
- IP66, IK10
- IPv4, IPv6 support
- Quad stream
- H.265, H.264, MJPEG
- ONVIF compatibility
- Less than 200ms latency with 2MP video streaming
- Dynamic IP support
- Edge storage up to 512GB
- Bi-directional audio support

Dimensions



| WGK-HS407Q-RTC | | | | |
|--------------------------|---|----------------------------|--------|--------|
| CAMERA | | | | |
| Image Sensor | 1/1.8" Sony CMOS Sensor | | | |
| Total Pixels | 2781(H) x 1632(V) = 4.53M Pixels | | | |
| Active Pixels | 2712(H) x 1536(V) = 4.17M Pixels | | | |
| Min. Illumination | COLOR | 0.01 lux / DSS 0.001 lux | | |
| | BW | 0.001 lux / DSS 0.0001 lux | | |
| | IR-LED | 0 lux | | |
| S/N Ratio | more than 50dB(AGC off) | | | |
| Video Output | NETWORK, CVBS(Test Only) | | | |
| LENS | | | | |
| Lens Type | 40x Day & Night Zoom Lens | | | |
| Zoom Ratio | Optical 40x, Digital x32 Zoom | | | |
| Focal Length | f = 6.5 mm ~ 260.0 mm | | | |
| Aperture Ratio | F1.5(Wide) ~ F5.3(Tele) | | | |
| Angle Of View (D, H, V) | WIDE | 68.15° | 61.14° | 36.76° |
| | TELE | 1.88° | 1.64° | 0.92° |
| PAN / TILT | | | | |
| Pan | 360° Continuous Pan, 0.03° to 340°/sec(proportional to zoom) | | | |
| Pan Speed | 480°/sec, ± 0.1° Accuracy | | | |
| Tilt | -25° to 90° (Total 115°) movement, 0.01°~300°/sec(proportional to zoom) | | | |
| Tilt Speed | 460°/sec, ± 0.1° Accuracy | | | |
| Preset | 255 points, less than 0.1° accuracy | | | |
| Mechanical Rotation | 0° or 90° rotation | | | |
| CAMERA FUNCTIONS | | | | |
| Day & Night | Auto / Day / Night | | | |
| WDR/BLC | Off / HLC / BLC / WDR | | | |
| Optical Filter | D&N Day / D&N Night / D&N Auto / Optical Defog | | | |
| DNR | 2D/3D, 2D+3D | | | |
| Defog | Off / On | | | |
| Image Stabilization | Off / On | | | |
| ROI Encoding | Off / On(4 positions) | | | |
| Motion Detection | Off / On(4 positions) | | | |
| Privacy Mask | Off / On(8 positions) | | | |
| Digital Slow Shutter | Off / x2 / x4 / x8 / x16 / x32 | | | |
| Gain Control | 0 ~ 10 Steps | | | |
| White Balance | Auto / Indoor / Outdoor / Auto-Ext | | | |
| Shutter Speed | 1/1 ~ 1/40,000 sec | | | |
| E Zoom | Off / On(x2 ~ x32) | | | |
| Digital I/O | 4 alarm / 2 relay out | | | |
| Remote Control Interface | RS-485 | | | |
| Protocol | Pelco-D, Pelco-P, WONWOO | | | |
| NETWORK | | | | |
| Ethernet | RJ-45(10/100BASE-T) | | | |
| Video Compression | H.265, H.264, MJEPG Profile : H.264 (Baseline, Main, High), H.265 (Main) | | | |
| Resolution | 2560x1440, 1920x1080, 1280x720, 720x400, 640x360 | | | |
| bit rate | 384Kbps ~ 16Mbps (CBR, VBR, CVBR support) | | | |
| Max. frame rate | up to 30FPS @ all resolutions | | | |
| Streaming Capability | up to Quad streams (H.265, H.264, MJPEG) | | | |
| Audio In / Out | Mic In / Audio Out | | | |
| Audio Compression | G.711(u-law, a-law), G.726 G.711 8KHz, G.726 8KHz G711 (64Kbps), G.726(16Kbps, 24Kbps, 32Kbps, 40Kbps) | | | |
| Audio Communication | Bi-directional audio ONVIF Profile S, T | | | |
| Protocol | IPv4, IPv6, RTP(UDP), RTP(TCP), RTP(HTTP), RTCP, RTSP, NTP, HTTP, HTTPS, SSL/TLS, DHCP, FTP, SMTP, ICMP, IGMP, SNMPv1/v2/v3(MIB-2), ARP, DNS, DDNS, QoS, PIM-SM, UPnP | | | |
| Storage | Micro SD, SDHC, SDXC Support (Up to 512GB) (Option) | | | |
| Security | SHA-256, MD5 digest / iptables (IP filtering) / TLS | | | |
| Webpage Language | Korean, English | | | |
| Web Viewer | Microsoft Edge, Mozilla Firefox, Google Chrome, Apple Safari | | | |
| GENERAL | | | | |
| Power Source | AC24V | | | |
| Power Consumption | Max. 80W | | | |
| Operating Temperature | -40°C ~ +60°C / 0% ~ 90% RH | | | |
| Ingress Protection | IP66, IK10 | | | |
| Material | Aluminum / PC | | | |
| Dimensions | 255(D) x 415(H) mm | | | |
| Weight | approx 8kg | | | |