

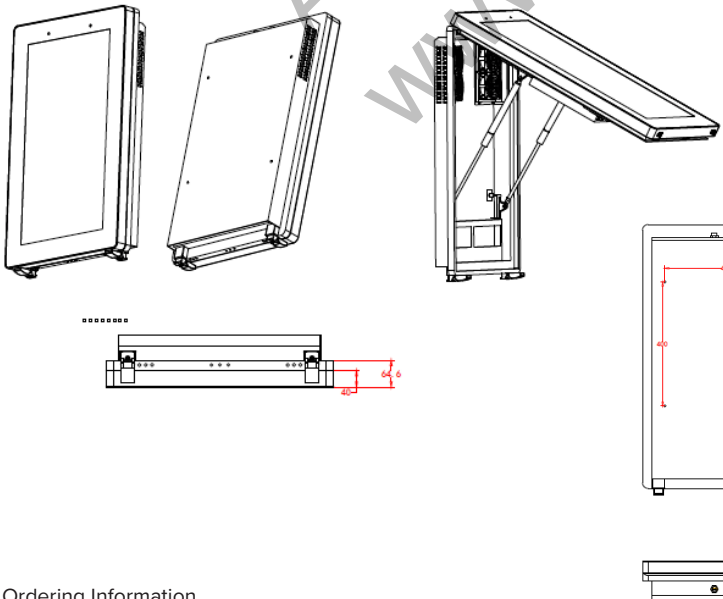


## IMHD-32OVM

32" metal waterproof and vandal-proof monitor, Built for 24/7 Performance

### Features

- Built for 24/7 performance, ensuring continuous, reliable video surveillance for critical security environments
- Portrait Mode Support
- 32" Screen
- 1920 x 1080 Resolution
- 3000cd/m<sup>2</sup>
- 5ms fast response time, no image ghosting
- HDMI 2.0 Input
- VGA Input
- Built-in speaker
- IK10 Vandal Resistant
- IP67 Weather proof



Model Name	IMHD-32OVM
Screen Size	32"
Active Display Area (mm)	697.6845mm(W)×392.256mm(H)
Display Mode	16:9
LED Type	TFT-LED
Resolution	1920 × 1080
Display Color	16.7M
Pixel Pitch(mm)	0.51075(H)×0.51075(V)
Brightness(nits)	3000cd/m <sup>2</sup>
Contrast Ratio	1300:1
Viewing Angle	178(H) /178(V)
Response Time	5ms
Backlight	LED
Input & Output	
HDMI 2.0	1
VGA	1
Remote Control	Yes
BNC	0
DP	0
Protection	
Waterproof	IP 67 at front case and IP 65 at back case
Vandal-proof	Support; IK10
3D comb filter	Yes
Video Noise Reduction	Yes
Power & Mount Way	
Power	AC100V~240V,50/60Hz
Working Temperature	-22°F ~ 185°F (-30°C ~ 85°C)
Consumption	<80W
Menu	English/ German/ French/ Italian/ Japanese/ Korean
Mounting	Stand mount, VESA mount 400x400
Net Weight	88.2 lbs (40kg)
Gross Weight	99.2 lbs (45kg)
MTBF	50000Hours
Accessories	
Included Accessories	Industrial PSU, Screw, Cable holder, Quick start guide

### Ordering Information

**IMHD-32OVM:** 32" metal waterproof and vandal-proof monitor

InVid Tech, reserves the right to make changes to improve our products at any time without notice; we are not responsible for misprints.