

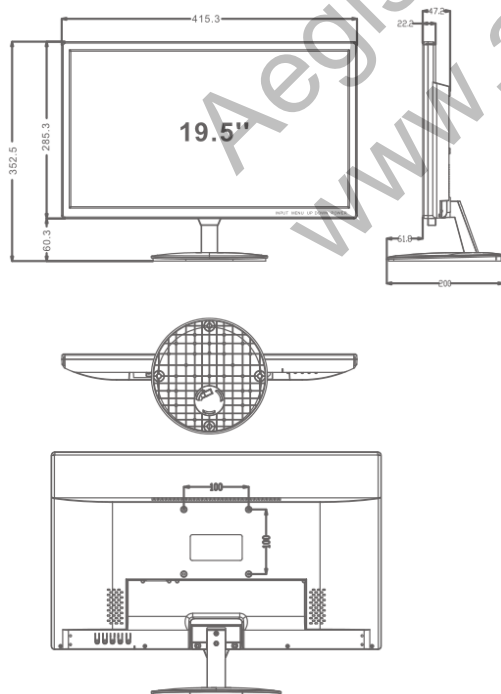


IMHD-20HVB

19.5" Full HD 1920 x 1080 LED Monitor HDMI, VGA, Looping BNC Inputs & Outputs, Built for 24/7 Performance

Features

- Built for 24/7 performance, ensuring continuous, reliable video surveillance for critical security environments
- Portrait Mode Support
- Full High Definition Quality: 1920 x1080
- Bright LED Illuminated Panel with 170° Viewing Angle
- Inputs: HDMI, VGA, BNC
- Outputs: BNC
- 16.7 Million Color Capacity
- VESA 100 x 100



Model Name	IMHD-20HVB
Screen Size	19.5"
Active Display Area (W x H)	386.32 × 251.0 mm
Display Mode	16:9
LED Type	TFT-LED
Resolution	1920 × 1080
Display Color	16.7M
Pixel Pitch (H x V)	0.248 × 0.248 mm
Brightness(nits)	350cd/
Contrast Ratio	1000:1
Viewing Angle (H/V)	178 / 178
Response Time	5ms
Backlight	LED
Input & Output	
HDMI 2.0	1
VGA	1
BNC input	2
BNC output	1
Speaker	2x3W(Stereo)
Video	
Color System	PAL/NTSC/SECAM
OSD Control	Auto adjust, Brightness, Contrast, Hori. / Vert. Position, Clock, phase, Color, Language..
3D comb filter	Yes
Video Noise Reduction	Yes
Power & Mount Way	
Type	DC 12V 2A
Working Temperature	-22°F ~ 185°F (-30C° ~ 85C°)
Power Consumption	20W
Menu	Chinese/English(other languages supported)
Mounting	Stand mount, VESA mount 100x100
MTBF	50000 Hours
Dimension size	16.2 x 11.2 x 1.9 in (412*285*47mm)
Accessories	
Included Accessories	Industrial PSU,Screw, Cable holder, Quick start guide

Ordering Information

IMHD-20HVB: 19.5" HDMI Monitor