

VL-SRMHTP-43A-OF

43" SUNLIGHT READABLE OPEN FRAME TOUCHSCREEN

- 2,000 nits Brightness
- Projected Capacitive Touch Screen
- IP65 Edge-to-Edge All-Glass Front Surface
- Anti-Glare Tempered Glass
- Automated Ambient Light Sensor
- Waterproof Touch Sensor Allows Wet Finger Operation



43" SUNLIGHT READABLE OPEN FRAME TOUCH SCREEN

The VL-SRMHTP-43A-OF is a 43" sunlight readable touch screen. This rugged 43" touch screen features 2,000 nits brightness, anti-glare glass and a 16:9 aspect ratio.

SUNLIGHT READABLE TOUCH SCREEN WITH 2000 NITS BRIGHTNESS

The VL-SRMHTP-43A-OF is a 43" sunlight readable touch screen monitor. We feature 2000 nits screen brightness and a 16:9 aspect ratio on this model. We design this 43" bright touchscreen for indoor and outdoor use. Because of the high 2,000 nits brightness of the VL-SRMHTP-43A-OF monitors, they are perfect for any high ambient-light conditions. These weather proof touch screens utilize state-of-the-art LED backlights. 2,000 nits brightness is over 6 times brighter than standard brightness monitors. Standard LCD monitors offer only 200-300 nits brightness. We feature a protective Anti-Reflective glass over the LCD panel on this model.

RUGGED 43" TOUCHSCREENS

These 43" 2,000 nit touch screen displays are not only bright, but extremely rugged. Built with true industrial-grade components, these outdoor panel mount touchscreens receive our exclusive TRU-Tuff treatment. The TRU-Tuff process includes RTV silicone on all connections and critical components. We then dress all wires, tie-wrap and secure them.

Lastly, we apply ThreadLock to all screws. The durable steel enclosure will ensure maximum shock and vibration resistance. This IP65 touchscreen will easily withstand the elements outdoors.

The front face of this weatherproof touchscreen has a rating of IP65 Waterproof. It is impervious to liquids, rust and corrosion. Additionally, our VL-SRMHTP-43A-OF has a Zero Bezel / Bezel-Less enclosure, which has no raised bezel, frame, or edges on the front face. The enclosure design feature will enable you to flush-mount this touch screen into a panel, door, wall, cabinet or enclosure.

Projected Capacitive (P-CAP) touch is similar to Surface Capacitive, but it offers two primary advantages: in addition to a dry bare finger, the VL-SRMHTP-43A-OF can also be activated with wet fingers. A Projected Capacitive touch screen also enables multi-touch activation. For instance, this will allow up to 10 simultaneous touch points. It is one of the 5 most popular types of touch screens available.

OUR TECHNICAL EXPERTS ARE READY YOU HELP YOU FIND THE BEST OUTDOOR DISPLAY

See our full line-up of industrial-grade Sunlight Readable and Daylight Readable monitors. This highlights all of our high brightness monitors. You'll find the sunlight readable touch screens in all the sizes and configurations available. Our full range of waterproof monitors and touch screens are available for any outdoor use. With over 200 LCD monitors and touch screens on our site, selecting the ideal weatherproof touch screen solution may be a bit overwhelming. To help narrow-down the choices, check out our **Advanced Search Tool**. For example, this enables you to filter by your own important features. For instance, you may view only 4:3 aspect ratio monitors, 13 - 19 inch monitors, or only panel mount monitors. TRU-Vu can provide modified or Custom OEM LCD Displays. Private Label Monitors are also an option if you have very specific requirements.

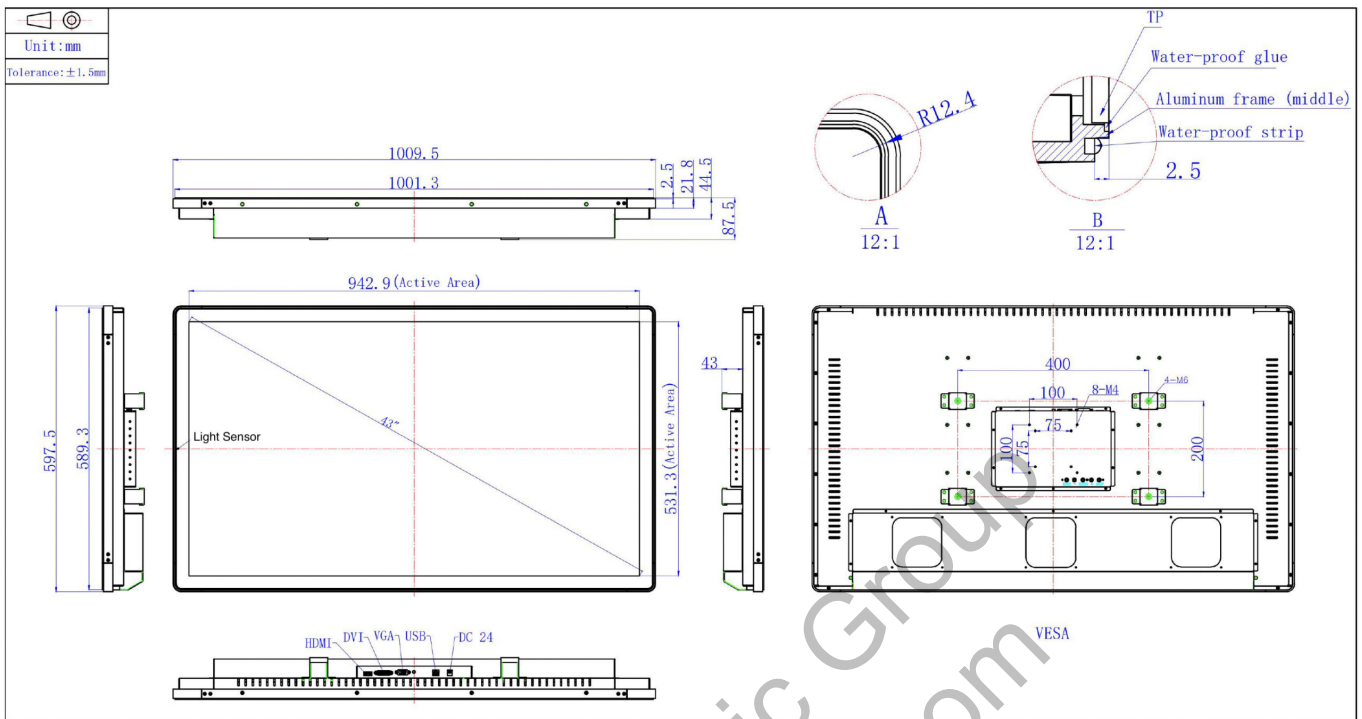
If you prefer, fill out a quick form with your requirements, and we will guide you to the proper models that will work best.

SPECIFICATIONS

	VL-SRMHTP-43A-OF
LCD Panel	43" Color LCD; LED Backlights
Touch Screen Type	Projected Capacitive
Touch Interface	USB
Resolution	1920 x 1080p
Viewing Area	37.12" (W) x 20.92" (H) (942.9 mm x 531.3mm)
Pixel Pitch	0.294mm
Display Colors	16.7 M
Aspect Ratio	16:9
Brightness	2,000 nits
Contrast Ratio	3,000:1
Viewing Angle	178° (H) x 178° (V)
Response Time	16 msec (Trf)
Video Input	VGA, HDMI & DVI
Power Requirement	24VDC / 100-240VAC via Included AC Adapter
Power Consumption	230W
Enclosure	Zero-Bezel/Painted Steel
Enclosure Rating	IP65 Front
Mounting	Rear VESA 400 x 200mm & 100 x 100mm Mounting Holes
Operating Temperature	5° to 122°F (-15° to +50°C)
Weight	70 lbs (31.5 kg)
Dimensions	39.75" W x 23.52" W x 3.45" D (1,009.5mm W x 597.5mm H x 87.5mm D)
Warranty	1-Year

Note: Specifications subject to change without notice.

DIMENSIONS (MM)



Standard Accessories:

- 100-240 VAC Power Supply
- VGA Cable
- DVI Cable
- USB Cable

Available Options:

- Private Label