

VM-27U-NBS

27 Inch Industrial-Grade Monitor

- 27" Full HD Resolution Color LCD Monitor: 1920 x 1080 (1080p/60)
- Wide Viewing Angle: 178° x 178°
- Video Inputs: VGA, HDMI, and Composite (BNC)
- Dual Voltage: 24VDC and 100-240VAC
- Auto Re-Start After Power Loss
- TRU-Tuff Treatment for Maximum Resistance to Shock & Vibration
- 3-Year Warranty
- TAA Compliant



INDUSTRIAL-GRADE 27 INCH MONITOR

The VM-27U-NBS are 27 inch monitors. These industrial-grade LCD monitors offer brilliant color and superb image quality while providing the reliability and rugged performance required by demanding applications. They offer full HD resolution: 1920 x 1080 (1080p/60). It is a **16:9 aspect ratio** display series. The VM-27U-NBS monitors offer VGA, HDMI, and Composite (BNC) digital and analog video input capabilities. An extensive list of available OEM options enables you to customize the VM-27U-NBS to your specific needs.

DESIGNED FOR 24/7/365 OPERATION

The VM-27U-NBS are designed to operate 24/7/365 and are backed by our full 3-Year Warranty. This series of monitors are ideal for industrial, military, food & beverage, machine vision systems, museums, surveillance, and simulator applications. View all of our standard brightness industrial monitors for indoor operation. We also offer our 27" monitors/ touch screens as Medical Grade Display solutions.

OUR TECHNICAL EXPERTS ARE READY TO HELP YOU FIND THE BEST DISPLAY

With over 200 LCD monitors and touch screens on our site, selecting the ideal monitor solution may be a bit overwhelming. To help narrow-down the choices, check out our **Advanced Search Tool**. This enables you to filter by features important to you. View similar sized monitors 21"+, or filter only 24VDC Monitors. TRU-Vu can provide modified or Custom OEM LCD Displays. Private Label Monitors are also an option if you have very specific requirements.

Remember, our team members are ready to help! We can determine the exact solution that will meet your specific needs. We will help provide crystal-clear images for your projects. Call (847) 259-2344 today to speak with one of our specialists. Above all, we will listen. It's one of the things we do best. Our professional advisors will ensure the 12" Waterproof Touch Panel-Mount monitor you receive will be and do everything you had hoped it would!

If you prefer, fill out a quick form with your requirements, and we will guide you to the proper models that will work best.

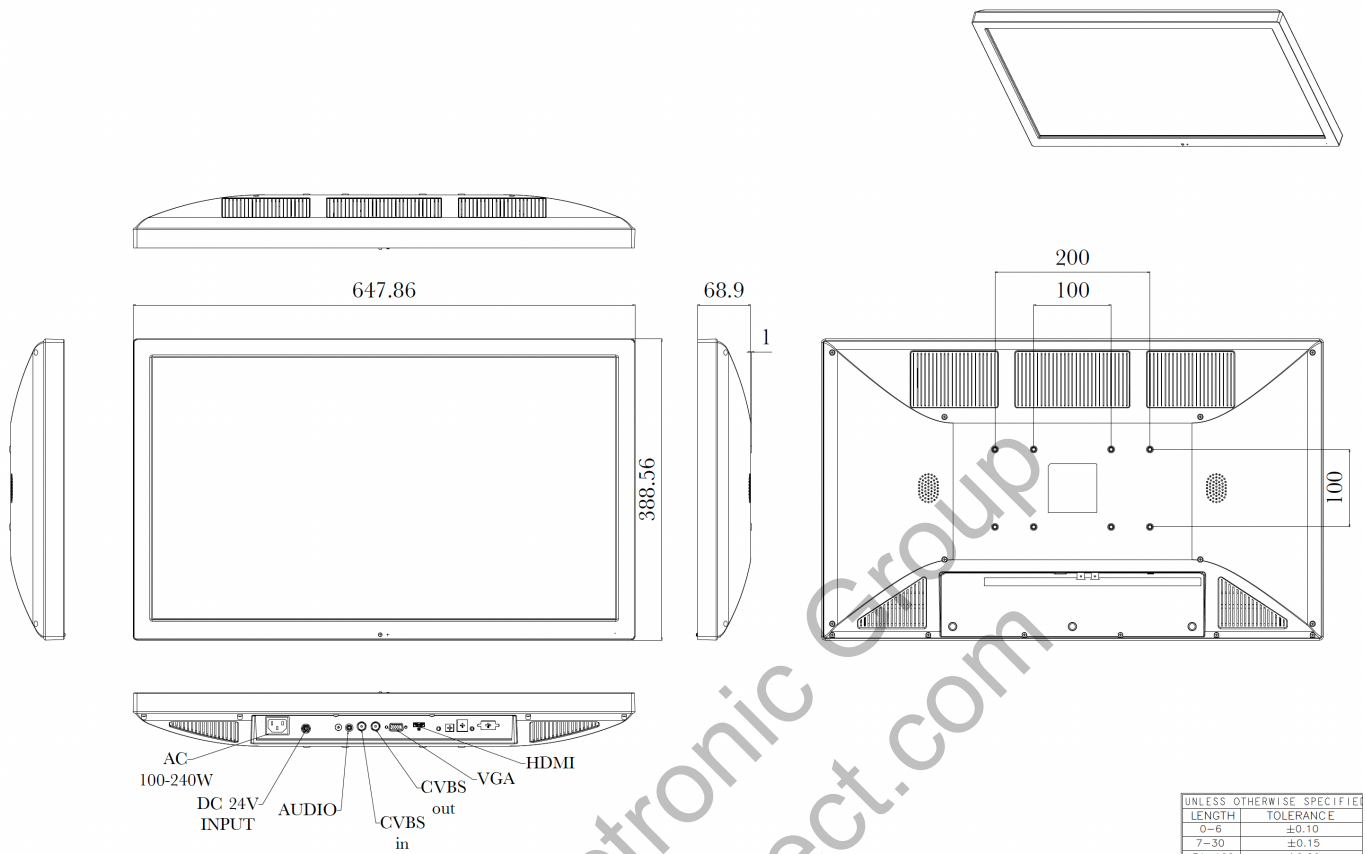
SPECIFICATIONS

	VM-27U-NBS
LCD Panel	27" Color LCD; LED Backlights
Display Resolution	1920 x 1080 (1080p/60, Full HD)
Viewable Area	23.53" (W) x 13.23" (H) (597.6 x 336.15 mm)

	VM-27U-NBS
Pixel Pitch	0.311 mm
Display Colors	16.7M
Aspect Ratio	16:9
Brightness	300 nits
Contrast Ratio	3,000:1
Viewing Angle	178° x 178° (V)
Response Time	12 msec
Control	OSD (On-Screen Display) via Front Pushbuttons or IR Remote
Video Inputs	VGA, HDMI, Composite BNC Inputs; 1 Composite BNC Output
Audio	Rear Speaker
Power Requirement	Dual Voltage 24 VDC and 100-240 VAC (2.1 mm Pigtail included)
Power Consumption	36W (2.7 Amps 24VDC; 1.4 Amps 110VAC)
Enclosure	ABS
VESA Mount Holes	100 x 100 and 100 x 200 VESA Hole Pattern
Tabletop Base	Optional
Operating Temperature	32° to +122° F (0° to +50° C)
Storage Temperature	-4° to +140° F (-20° to +60° C)
Humidity	5-90% RH
Shock	50 G (20 msec, ½ sine)
Vibration	1.5G RMS 10-200 HZ
Dimensions	25.38" (W) x 15.25" (H) x 2.63" (D) (644.65 x 387.35 x 66.8 mm)
Weight	10.8 lbs. (4.89 Kg)

Note: Specifications subject to change without notice.

DIMENSIONS (MM)



UNLESS OTHERWISE SPECIFIED	
LENGTH	TOLERANCE
0-6	±0.10
7-30	±0.15
31-100	±0.20
101-300	±0.25
301-UP	±0.30
ANGLE	±1.0°

VM-27U-NBS

Standard Accessories:

- 120 VAC Power Cord
- 24 VDC Power Pigtail (2.1mm Connector)
- VGA Cable

Available Options:

- Tabletop Base (TTB-27)
- Powder-Coated Steel Enclosure (VM-27U-M)
- Wall Mount Brackets
- Sunlight Readable, 1,000 nits Brightness (SRM-27 Series)
- Waterproof Enclosure (VMW-27R-SS)
- Open-Frame Configuration
- Private-Label
- Other Customer-Specific Modifications