

HD-SDI / EX-SDI(V1.0/ V2.0/ V2.1/ V3.0(TBD))/ CVBS / LVDS

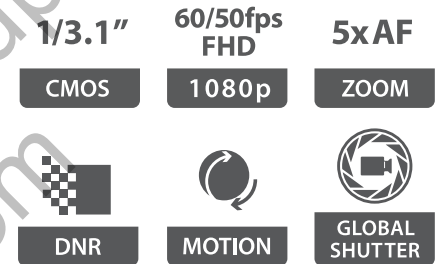
# ATC-HZ8905J-L

FHD 2MP High Resolution  
5x Global Shutter Zoom Camera



## features

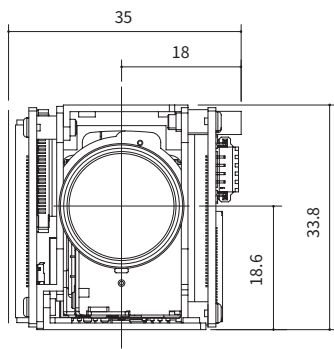
- 1/3.1" Progressive Scan Global Shutter CMOS
- 80x AF Zoom (5x optical zoom, 16x digital zoom)
- 1080p 60/50/30/25fps  
720p 60/50/30/25fps, 1080i 60/50fps
- True WDR
- 2D/3D DNR, Defog, DIS
- UART RS232-TTL (Pelco-D/P, VISCA)



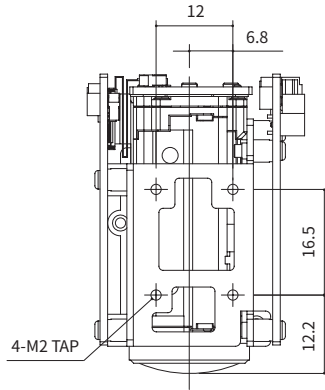
## Specifications

<b>Image Sensor</b>	1/3.1" Progressive Scan Global Shutter CMOS		<b>Digital Image Stabilization</b>	Yes
<b>Effective Pixels</b>	3.2MP 2064(H) x 1552(V)		<b>Motion Detection</b>	4 Zones
<b>Video Output Mode</b>	<b>Common</b>	HD-SDI/ EX-SDI(V1.0/ V2.0/ V2.1/ V3.0(TBD))/ CVBS	<b>D-WDR</b>	Off/Low/Middle/High
	<b>AVI/TVI/LVDS</b>	LVDS	<b>WDR</b>	WDR(Low/Middle/High)
<b>Max. Video Resolution</b>	HD-SDI/LVDS/EX-SDI:1080p@60(50fps)		<b>BLC</b>	Off/0~10, Area selectable
<b>Synchronization system</b>	Internal		<b>HLC</b>	Off/0~20, Color selectable
<b>Min. Illumination</b>	Day: 0.15Lux (F3.2)		<b>AGC</b>	Max.48dB
<b>S/N Rate</b>	More than 52dB(AGC off, Sens-Up off)		<b>Sharpness</b>	Adjustable(0~15)
<b>Lens</b>	<b>Type</b>	AF Optical zoom lens(DC Iris)	<b>3D-DNR</b>	OFF/Auto(Level:0~2)/ Manual(Gain:0~255/THLD:0~255/FK:0~255)
	<b>Focal Length</b>	f=5mm~25mm	<b>2D-DNR</b>	OFF/Auto(Level:0~2)/ Manual(Gain:0~255/THLD:0~255)
	<b>F-value</b>	F3.2(W)~3.7(T)	<b>Defog</b>	Off/On(Low/Middle/High)
	<b>Angle of View</b>	H 47°(W)~9.6°(T), V 27°(W)~5.5°(T)	<b>Preset Position</b>	192 position Presets(Zoom, Focus), 16Memory Presets, Custom Preset
<b>Zoom ratio</b>	Optical 5x / Digital 16x		<b>Language</b>	English, Russian, Spanish, German, French, Portuguese, Chinese, Japanese
<b>Focus Min. Working Distance</b>	0.01m(Wide)~1.0m(Tele)~∞		<b>Remote</b>	RS232 TTL +5.0V(+3.3V compatible)
<b>Focus Control</b>	Auto/Interval/One Shot/Manual/Preset		<b>Protocol</b>	VISCA, PELCO-D/P: Auto Detection
<b>AE Mode</b>	Auto/Shutter Priority/Manual		<b>Baud rate</b>	2400/4800/9600(default)/ 19200/38400/57600/115200bps
<b>Brightness</b>	1~20		<b>Supply Voltage</b>	12VDC(9V to 15VDC)
<b>Manual Shutter</b>	1/1, 1/2, 1/4(3), 1/8(6), 1/15(12), 1/30(25), 1/60(50)~1/30000		<b>Power Consumption</b>	Max.3.3W / Non-working zoom&focus 2.7W
<b>Manual Iris</b>	-		<b>Dimension(mm)</b>	35x33.8x46.7mm (52mm with F-pcb cable)
<b>Sense-up</b>	Off~32fields		<b>Weight</b>	Approx.43g
<b>ETC</b>	Slow AE		<b>Operating Temperature</b>	0°C~+40°C, Humidity(Less than 90%)
<b>D&amp;N Mode</b>	Day(Color)		<b>Storage Temperature</b>	-20°C~+60°C, Humidity(Less than 90%)
<b>White Balance</b>	AUTO/Indoor/Outdoor/One push/ATW/Manual		<b>Remark</b>	
<b>Image Freeze</b>	Off/On			
<b>Image Flip</b>	Off/Horizontal/Vertical/H+V(180° Flip)			
<b>Privacy Mask Zone</b>	8 Zones/14 mask color selectable			

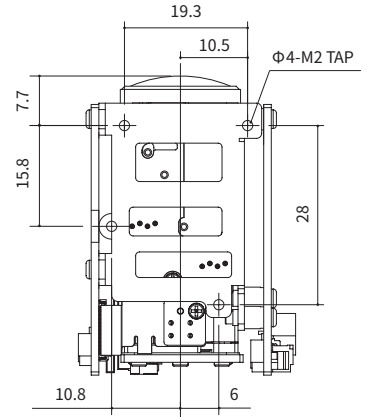
## Dimension



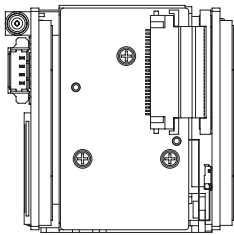
Front



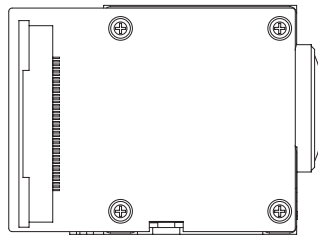
Top



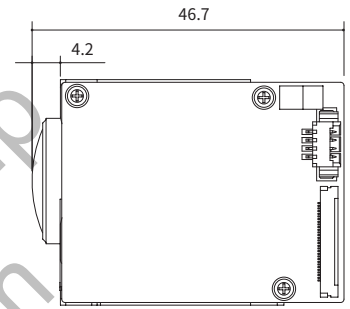
Bottom



Rear

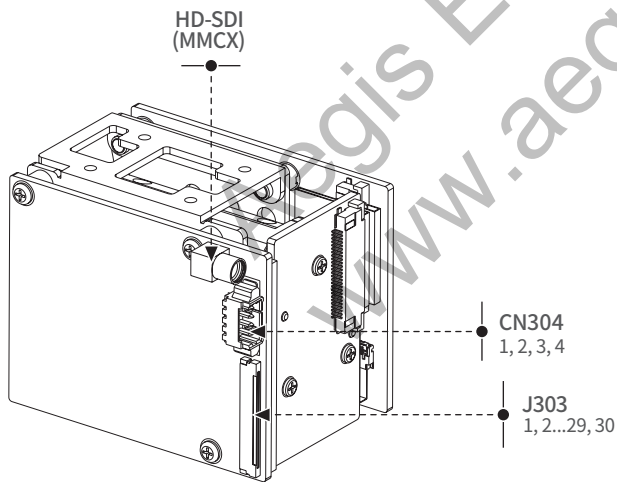


Left



Right

## Pin Assignment



Jack	SDI Output connector / MMCX Jack Connector
Pin no.	CN304(RS-232 TTL) / Molex: 53261-0471
1	POWER IN: +12VDC
2	GND
3	RXD: CMOS 3.3V Read Data
4	TXD: CMOS 3.3V Send Data

Pin no.	J303(LVDS/Micro Co-Axial) / KEL Co.USL00-30L-C		
1	TX_OUT3+	16	+12VDC
2	TX_OUT3-	17	+12VDC
3	TX_CLKOUT+	18	+12VDC
4	TX_CLKOUT-	19	GND
5	TX_OUT2+	20	GND
6	TX_OUT2-	21	TX_OUT7+ : Single out mode (open)
7	TX_OUT1+	22	TX_OUT7- : Single out mode(open)
8	TX_OUT1-	23	TX_OUT6+ : Single out mode(open)
9	TX_OUT0+	24	TX_OUT6- :Single out mode(open)
10	TX_OUT0-	25	CVBS Output
11	GND	26	RESET_IN : Reset-Low(GND), Normal(1.8V)
12	TXD: CMOS 5.0V Send Data (Compatible 3.3V)	27	TX_OUT5+ : Single out mode (open)
13	RXD: CMOS 5.0V Read Data (Compatible 3.3V)	28	TX_OUT5- : Single out mode (open)
14	+12VDC	29	TX_OUT4+ : Single out mode (open)
15	+12VDC	30	TX_OUT4- : Single out mode (open)