

## VM-24R

### 24" Customizable HD LCD Monitor

- 24" HD Color LCD Monitor
- Full HD Resolution: 1920 x 1080 (1080p/60)
- Wide Viewing Angle: 178° x 178°
- LED Backlights
- Dual Internal Speakers
- TRU-Tuff Treatment for Maximum Resistance to Shock & Vibration
- 3-Year Warranty
- TAA Compliant



## INDUSTRIAL-GRADE 24 INCH MONITOR

The VM-24R are 24 inch monitors. These industrial-grade LCD monitors offer brilliant color and superb image quality while providing the reliability and rugged performance required by demanding applications. They offer full HD resolution: 1920 x 1080 (1080p/60). It is a 16:9 aspect ratio display series. An extensive list of available OEM options enables you to customize the VM-24R to your specific needs.

### MONITORS WITH MAXIMUM RESISTANCE TO SHOCK AND VIBRATION

The VM-24R also features TRU-Vu's exclusive TRU-Tuff treatment, which ensures maximum resistance to shock and vibration. The TRU-Tuff process includes RTV silicone on all connections and critical components; all wires are dressed, tie-wrapped and secured; and ThreadLock on all screws. This, plus the ABS enclosure, ensures the VM-24R will provide years of reliable service.

### 24" MONITOR DESIGNED FOR 24/7/365 OPERATION

The VM-24R are designed to operate 24/7/365 and are backed by our full 3-Year Warranty. This series of monitors are ideal for industrial, military, food & beverage, machine vision systems, museums, surveillance, and simulator applications. View all of our standard brightness industrial monitors for indoor operation.

### OUR TECHNICAL EXPERTS ARE READY TO HELP YOU FIND THE BEST RUGGED 24" DISPLAY

With over 200 LCD monitors and touch screens on our site, selecting the ideal monitor solution may be a bit overwhelming. To help narrow-down the choices, check out our [Advanced Search Tool](#). This enables you to filter by features important to you. View by 21+" size monitors, or see only those monitors that operate with 24VDC. TRU-Vu can provide modified or Custom OEM LCD Displays. Private Label Monitors are also an option if you have very specific requirements.

Remember, our team members are ready to help! We can determine the exact solution that will meet your specific needs. We will help provide crystal-clear images for your projects. Call (847) 259-2344 today to speak with one of our specialists. Above all, we will listen. It's one of the things we do best. Our professional advisors will ensure the 12" Waterproof Touch Panel-Mount monitor you receive will be and do everything you had hoped it would!

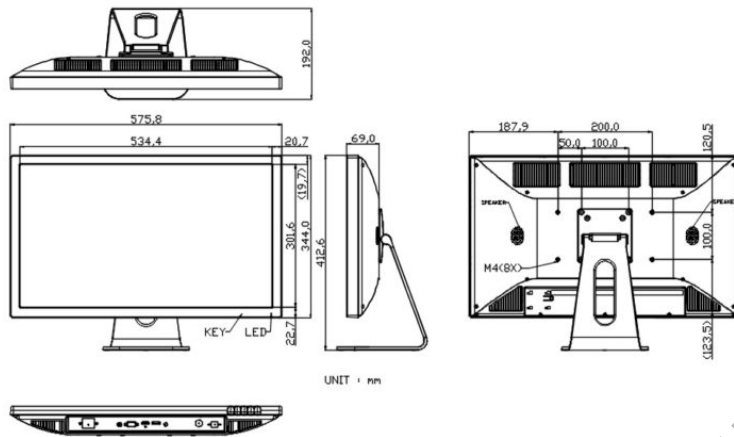
If you prefer, fill out a quick form with your requirements, and we will guide you to the proper models that will work best.

## SPECIFICATIONS

	<b>VM-24R</b>
LCD Panel	24" Color AMVA
Display Resolution	1920 x 1080 (60hz, Full HD)
Display Area	20.91" (W) x 11.76" (H) (531.36 x 298.7 mm)
Pixel Pitch	0.277 mm
Display Colors	16.7M
Aspect Ratio	16:9
Brightness	250 nits
Contrast Ratio	3,000:1
Viewing Angle	178° (H) x 178° (V)
Response Time	12 msec Trf
Video Input Connectors	VGA, HDMI, DisplayPort
Audio	Dual Rear Speakers
Power Requirement	24 VDC (2.5mm Locking Connector) / 90-240VDC via included Power Supply
Power Consumption	27W
Enclosure	ABS (Optional: Waterproof Stainless Steel)
Mounting	Via 100 x 100/100 x 200 VESA Hole Pattern (M4 x 6mm Screws)
Operating / Storage Temperature	32° to 122° F (0° to 50° C)
Humidity	5-90% RH
Shock	50 G (20 msec, 1/2 sine)
Vibration	1.5G RMS 10-200 HZ
Dimensions	22.66" (W) x 13.5" (H) x 2.7" (D) / 575.8 (W) x 344 (H) x 69 (D) mm
Weight	9.46 lb (4.29kg) lbs.
Warranty	3 Years

Note: Specifications subject to change without notice.

## DIMENSIONS (MM)



**Standard Accessories:**

- VGA Cable
- HDMI Cable
- Audio Cable
- 2.5mm Locking Power Pigtail
- 100-240 VAC Power Adapter
- Power Cord

**Available Options:**

- TableTop Base
- Panel-Mount
- Waterproof Stainless Steel Enclosure (VMW-24R-SS)
- White Enclosure
- BNC Input/BNC Output
- Touch Screen (ZBTP-23.8R)