

MMZBTP-24 Series

24" P-Cap Touch Screen Monitor

- 24" P-Cap Touch Screen Monitors
- Projected Capacitive Touch Screen with 10 simultaneous touch points
- Zero-Bezel Design; All-Glass Front Simplifies Cleaning
- Full HD Resolution: 1920 x 1080
- VGA, HDMI, DVI and DisplayPort Video Inputs
- Built-In Speakers and Auto Re-Start After Power Loss
- 3 Year Warranty
- TAA Compliant



The TRU-Vu MMZBTP-24 Series is a 24" Medical Touch Screen with p-cap touch technology. Our 24" touch screen display is ideal for industrial 24/7 use. Additionally, TRU-Vu utilizes industrial-grade components and high-end LCD panels not found in retail/consumer-grade monitors. Therefore, this ensures superior image quality, improved performance and greater durability in our medical touch panel.

OPTIMAL IMAGE QUALITY

Our widescreen 24" touch screen monitor provides 1080p, 1920 x 1080 Full HD resolution. The super-wide 178 x 178 viewing angles ensures clear, sharp images when viewed from nearly any angle. Thanks to its high resolution, brightness and high contrast ratio, our 24" projected capacitive touch screen provides razor-sharp, flicker free images. Fast response time and lag-free transmission of images ensure the most detailed images today. Our medical touch panel has an aspect ratio of 16:9.

24" P-CAP TOUCH PANEL

The projected capacitive touch technology enables multi-touch, with up to 10 simultaneous touch points. For instance, the P-Cap touch screen can be activated via exposed fingers, or with a surgical glove. The screen is unaffected by dirt, grease or moisture on the glass surface.

BEZEL LESS MONITOR, FULLY FLAT DESIGN

Our zero-bezel ABS enclosure features a single pane of glass across the entire front face of its 24" p-cap touch screen. Due to the absence of any raised-edge bezel (frame) around the front edges, this touch screen is extremely easy to clean (see [Cleaning Instructions Guide](#)) and improves overall hygiene. For example, the bezel-less monitor enclosure eliminates the build-up of germs and contamination, as there is no bezel for them to reside beneath, as with standard enclosures. Also, the rounded corners of the housing add a measure of comfort and safety, as well as improved aesthetics.

This lightweight medical touch panel display features rear VESA mount holes which enables easy mounting via spring arms, surgical booms or tabletop stands. Visit our wide range of [LCD monitor mounts and stands](#) to complete your installation. Rear speakers are standard and can provide useful tones or alarms.

FANLESS Industrial TOUCHSCREENS

These are built without internal fans. A fan-less design provides numerous important benefits. Reliability and durability are greatly increased, since one major moving part, the fan, which is subject to mechanical failure, is eliminated. A fan-less design also provides a higher level of safety in sterile environments, as it eliminates the circulation of pathogens and dust. Lastly, a fan-less monitor is also quieter for a medical touch panel.

OUR TECHNICAL EXPERTS WILL HELP YOU FIND THE BEST MEDICAL TOUCH SCREEN

With over 200 LCD monitors and touch screens on our site, selecting the ideal surgical display solution may be a bit overwhelming. To help narrow-down the choices, check out our **Advanced Search Tool**. For example, this enables you to filter by your own useful features. View all **Medical-Grade displays only**. For instance, Shop by size **21.5" to 65" monitors** , see our full line of **Touch Screen Monitors**, filter by standard brightness, or see all **bezel less monitors**. **Custom OEM LCD Displays** and **Private Label Monitors** are also an option if you have very specific requirements.

TELL US ABOUT YOUR SURGICAL DISPLAY NEEDS. WE LISTEN!

Remember, our team members are ready to help! We can determine the exact solution that will meet your specific needs. TRU-Vu medical displays will help provide crystal-clear images for your medical projects. Call **(847) 259-2344** today to speak with one of our medical monitor specialists. Above all, we will listen. It's one of the things we do best. Our professional advisors will ensure the monitor or touch screen you receive will be everything you had hoped it would for your medical imaging system.

If you prefer, fill out a quick form with your requirements, and our specialists will guide you to the proper models that will work best.

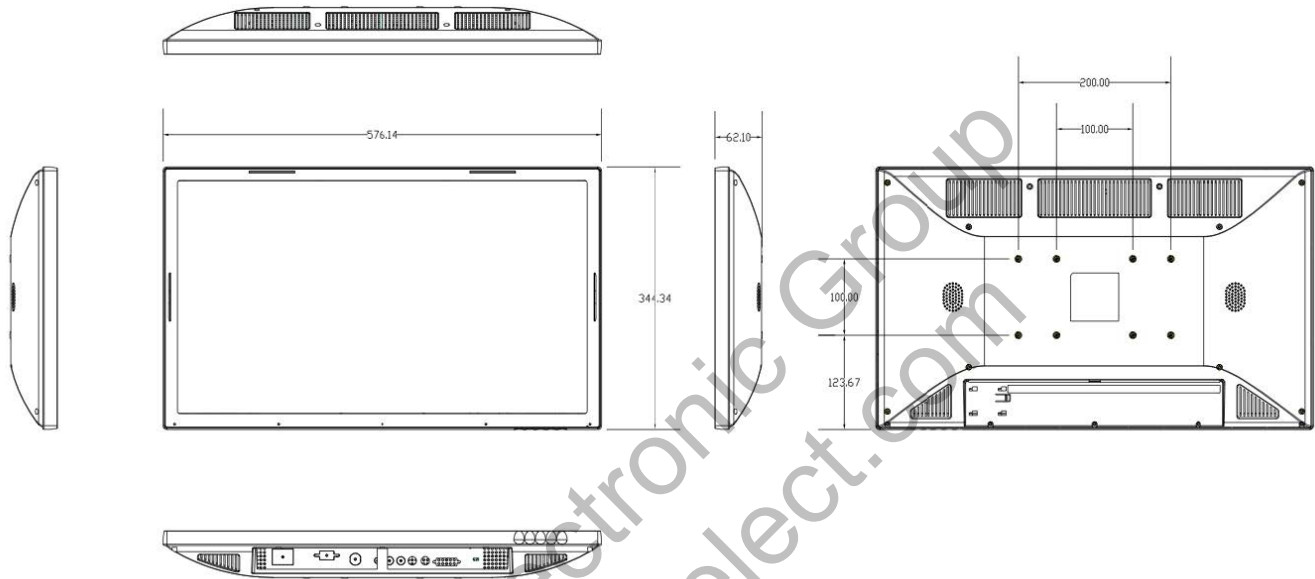
SPECIFICATIONS

	MMZBTP-24R	MMZBTP-24C
LCD Panel	24" Color LCD; LED Backlights	
Touch Screen	Projected Capacitive	
Touch	USB	
Resolution	1920 x 1080 (Full HD)	
Viewable Area	20.92" x 11.77"	(531.4 x 298.9 mm)
Pixel Pitch	0.248mm	
Display Colors	16.7 Million	
Aspect Ratio	16:9	
Brightness	300 nits	
Contrast Ratio	5,000:1	
Viewing Angle	178° (H) x 178° (V)	
Response	12 msec	25 msec Trf
Control	OSD (On-Screen Display) Buttons	
Video Inputs	VGA, HDMI, DisplayPort	VGA & DVI-D
Audio	Dual Rear Speakers	
Power Requirement	100-240 VAC, 50/60 Hz with Internal Medical-Grade Power Supply and Green-Dot Power Cord	
Power	38W	
Plug & Play	DDC 1/2B	
Enclosure	ABS: Zero-Bezel Design	
Enclosure IP Rating	Front: IP65 Rear: IP30	
Mounting	Included Tabletop Base or 100x100mm/ 200x100 Rear VESA Mount Holes	
Operating Temperature	32° to 122° F (0° to 50° C)	
Humidity	5-90% RH	
Shock/	50G (20 msec, 1/2 sine); 1.5G RMS 10-200HZ, 30 minutes each (X,Y,Z)	
Dimensions	22.6" (W) x 13.5" (H) x 2.4" (D)	(576.14 x 344.34 x 62.10 mm)

	MMZBTP-24R	MMZBTP-24C
Weight	13.2 lbs.	(5.98 kg)
Warranty	3 Years	

Note: Specifications subject to change without notice.

DIMENSIONS (MM)



Standard Accessories:

- Medical-Grade Green-Dot Power Cord
- VGA Cable
- Audio Cable
- USB Cable
- HDMI Cable ("R" Version only)
- DisplayPort ("R" Version only)
- Tabletop Base