

## MMZBTP-15.6G-XG

### 15.6" Medical Touch Screen Monitor

- 15.6" Medical Touch Screen Monitor
- Projected Capacitive Touch Screen (P-Cap)
- 1920 x 1080 Full HD Resolution
- White ABS Enclosure; Bezel-Less Front Simplifies Cleaning, Improves Safety & Hygiene
- Meets UL 60601-1 Ver. 3.1; IEC 60601-1-2 4th Edition
- Built-In Speakers
- Auto Re-Start After Power Loss
- Compatible with Automation Direct HMI
- Optional Rear Input Compartment Cover for Built-in Cable Management
- 3-Year Warranty
- TAA Compliant



The *TRU-Vu* MMZBTP-15.6G-XG is a 15.6" medical touch screen monitor. It conforms to UL 60601-1 Edition 3.1, and IEC 60601-1-2 4th Edition. Our 15.6" medical grade touchscreen is ideal for hospital operating rooms, medical carts, and medical imaging systems. Also found in fluoroscopy, endoscopy, OEM medical systems, PACS and other medical applications. Additionally, this medical grade touch screen also compatible with Automation Direct HMI.

### OPTIMAL IMAGE QUALITY FOR A MEDICAL TOUCHSCREEN

Our widescreen 15.6" medical touch screen monitor provides 1080p, 1920 x 1080 Full HD resolution. Additionally, the super-wide 178 x 178 viewing angles ensures clear, sharp images when viewed from nearly any angle. Thanks to its high resolution, brightness and high contrast ratio, our 15.6" medical-grade touch screen provides razor-sharp, flicker free images. Consequently, this enables doctors and surgeons to make accurate, and timely, critical decisions. Fast response time and lag-free transmission of images ensure the most detailed images in the OR today.

### 15.6" MEDICAL GRADE P-CAP TOUCH SCREEN

The projected capacitive touch technology enables multi-touch, with up to 10 simultaneous touch points. Furthermore, the P-Cap touch screen can be activated via exposed fingers, or with a surgical glove. The screen is unaffected by dirt, grease or moisture on the glass surface. To help you guide you through the advantages of the 5 most common types of touch technology, see our tutorial on [touch screen basics](#). Our convenient [touch screen comparison chart](#) will provide a quick overview of advantages and disadvantages of each type.

### BEZEL-LESS MONITOR, FULLY FLAT DESIGN

Our zero-bezel ABS enclosure features a single pane of glass across the entire front face of its 15.6" medical-grade touch screen. Due to the absence of any raised-edge bezel (frame) around the front edges, this touch screen is extremely easy to clean (see [Cleaning Instructions Guide](#)) and improves overall hygiene. The bezel-less monitor enclosure eliminates the build-up of germs and contamination, as there is no bezel for them to reside beneath, as with standard enclosures. The rounded corners of the housing add a measure of comfort and safety, as well as improved aesthetics. This lightweight surgical display features rear VESA mount holes which enables easy mounting via spring arms, surgical booms or tabletop stands. Rear speakers are standard and can provide useful tones or alarms.

**FANLESS MEDICAL GRADE MONITORS**

All our Medical displays are built without internal fans. A fanless design provides numerous important benefits. Reliability and durability are greatly increased, since one major moving part, the fan, which is subject to mechanical failure, is eliminated. Consequently, a fan-less design also provides a higher level of safety in sterile environments, as it eliminates the circulation of pathogens and dust. Lastly, a fan-less monitor is also quieter.

**OUR TECHNICAL EXPERTS ARE READY TO HELP YOU FIND THE BEST MEDICAL TOUCH SCREEN**

With over 200 LCD monitors and touch screens on our site, selecting the ideal monitor solution may be a bit overwhelming. To help narrow-down the choices, check out our **Advanced Search Tool**. For example, this enables you to filter by your own useful features. For instance, view all **Medical-Grade displays** only. Shop by size **13.3-19" monitors**, see our full line of **Touch Screen Monitors**, filter by aspect ratio **16:9**, or see all **bezel less monitors**. **Custom OEM LCD Displays and Private Label Monitors** are also an option if you have very specific requirements. Furthermore, visit our wide range of **LCD monitor mounts and stands** to complete your installation.

Remember, our team members are ready to help! We can determine the exact solution that will meet your specific needs. TRU-Vu medical displays will help provide crystal-clear images for your medical projects. Call **(847) 259-2344** today to speak with one of our medical monitor specialists. Above all, we will listen. It's one of the things we do best. Our professional advisors will ensure the monitor or touch screen you receive will be everything you had hoped it would for your medical imaging system.

If you prefer, fill out a **quick form** with your requirements, and our specialists will guide you to the proper models that will work best.

All **TRU-Vu Medical Grade monitors** utilizes industrial-grade components and high-end LCD panels not found in retail/consumer-grade monitors. Therefore, this ensures superior image quality, improved performance and greater durability.

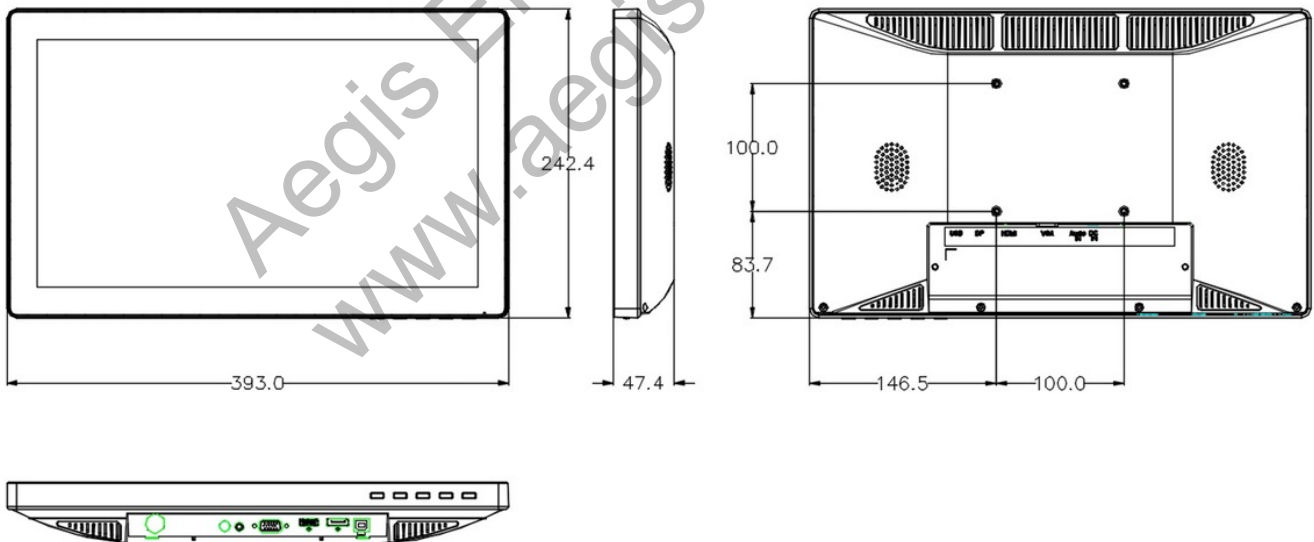
**SPECIFICATIONS**

	<b>MMZBTP-15.6G-XG</b>	<b>MMZBTP-15.6W</b>
LCD Panel	15.6" Color AHVA; LED Backlights	15.6" Color AHVA; LED Backlights
Touch Screen Type	Projected Capacitive, 10 Simultaneous Touch Points	Projected Capacitive, 10 Simultaneous Touch Points
Touch Interface	USB	USB-C
Glass	Anti-Glare	Anti-Glare
Resolution	1920 x 1080 (1080p/60)	1920 x 1080 (1080p/60)
Viewable Area	13.55" W X 7.62" H (344.16 x 193.59 mm)	13.55" W X 7.62" H (344.16 x 193.59 mm)
Pixel Pitch	0.17925 mm	0.17925 mm
Display Colors	16.2M	16.7M
Aspect Ratio	16:9	16:9
Brightness	500 nits	500 nits
Contrast Ratio	1,000:1	1,000:1
Viewing Angle	178° (H) x 178° (V)	178° (H) x 178° (V)
Response Time	25 msec Trf	25 msec Trf
Control	OSD (On-Screen Display) via Pushbuttons Under Front Edge	OSD (On-Screen Display) via Pushbuttons Under Front Edge
Video Inputs	DVI-D, HDMI, DisplayPort	USB-C & HDMI
Audio	Dual Rear Speakers	Dual Rear Speakers

	<b>MMZBTP-15.6G-XG</b>	<b>MMZBTP-15.6W</b>
Power Requirement	100-240 VAC via included Medical-Grade External Power Supply with Locking Connector; Includes Green Dot Power Cord	USB-C (USB 3.1) & 12VDC (optional external 100-240VAC Medical Grade power supply available)
Power Consumption	13.8W	TBD
Enclosure	Zero-Bezel Front; White ABS Rear	Zero-Bezel Front; White ABS Rear
Enclosure IP Rating	Front: IP65 Rear: IP30	Front: IP52 Rear: IP30
Mounting	100mm x 100mm Rear VESA Holes; Optional Tabletop Base	100mm x 100mm Rear VESA Holes; Optional Tabletop Base
Operating Temperature	-4° to 158°F (-20 to 70°C)	-4° to 158°F (-20 to 70°C)
Humidity	5-90% RH	5-90% RH
Shock / Vibration	50G Half-sine 20 msec ; 1.5G 10-200 Hz	50G Half-sine 20 msec ; 1.5G 10-200 Hz
Certifications	UL: ANSI/AAMI ES60601-1 (2005/(R)2012 + A1:2012, C1:2009/(R)2012 + A2:2010/(R)2012) CAN/CSAC22.2 No. 60601-1:14 CB : IEC 60601-1-6:2010/AMD1:2013, IEC 60601-1-6:2010, IEC 60601-1:2005/AMD1:2012, IEC 60601-1:2005	PENDING: UL: ANSI/AAMI ES60601-1 (2005/(R)2012 + A1:2012, C1:2009/(R)2012 + A2:2010/(R)2012) CAN/CSAC22.2 No. 60601-1:14 CB : IEC 60601-1-6:2010/AMD1:2013, IEC 60601-1-6:2010, IEC 60601-1:2005/AMD1:2012, IEC 60601-1:2005
Dimensions	15.47" (W) x 9.54" (H) x 1.86" (D) 393 x 242.4 x 47.44 mm)	15.47" (W) x 9.54" (H) x 1.86" (D) 393 x 242.4 x 47.44 mm)
Weight	5.6lbs (2.54kg)	TBD
Warranty	3 Years	3 Years

Note: Specifications subject to change without notice.

#### DIMENSIONS (MM)



#### Standard Accessories:

- External Medical-Grade Power Supply
- Hospital-Grade Green Dot Power Cord
- HDMI Cable
- USB Cable

**Available Options:**

- Tabletop Base
- Optional Rear Input Compartment Cover (ACC-MMZB-15.6-COV)
- Black Enclosure
- Wall Mount Brackets
- DICOM Part 14 GSDF Calibration
- Private Label
- Other Customer-Specific Modifications

Aegis Electronic Group  
[www.aegiselect.com](http://www.aegiselect.com)