

VL-SRMHTP-15C

15" Sunlight Readable Touch Screen

- Produce Clear, Sharp Images Even in Direct Bright Sunlight
- Projected Capacitive Touch
- 1,500 nits Brightness
- Automated Ambient Light Sensor
- Aspect Ratio 4:3
- IP65 Front Surface
- Extreme Operating Temperatures of -30°C to 85°C
- Auto Re-Start After Power Loss



15" SUNLIGHT READABLE TOUCH SCREEN DISPLAYS

The VL-SRMHTP-15C are 15" sunlight readable touch screen monitors. They feature at least 1,500 nits brightness and a 4:3 aspect ratio. The resolution is 1024 x 768. We design the VL-SRMHTP-15C monitors for use in direct sunlight. Consequently, they are also perfect for other high ambient-light conditions. They utilize state-of-the-art LED backlights. The models in this series produce at least 1500 nits brightness. In contrast, this is over 5 to 6 times brighter than standard monitors. For example, standard monitors are only 200-300 nits brightness. Therefore, the result is an amazingly bright screen. This will provide you with crystal-clear images, even with bright, direct sunlight on the face of the screen.

RUGGED INDUSTRIAL TOUCH-SCREEN MONITORS

The VL-SRMHTP-15C 15" sunlight readable touch screen monitors are extremely rugged. For instance, we build them with true industrial-grade components. Furthermore, they receive our exclusive TRU-Tuff treatment. The TRU-Tuff process includes RTV silicone on all connections and critical components. Additionally, all wires are dressed, tie-wrapped and secured. Lastly, we apply ThreadLock to all screws. The ABS enclosure will ensure maximum shock and vibration resistance for this rugged 1500 nits brightness monitor.

WORLDWIDE TOUCH SCREEN APPLICATIONS

Our 15" high brightness touch screen monitors have been deployed in a wide range of demanding industries. For example, military, law enforcement, industrial manufacturing, aviation and entertainment benefit. They are also found in inspection, kiosks, heavy equipment, and transportation. TRU-Vu monitors are backed by our full 3-Year Warranty. This ensures you of many years of reliable service.

We specialize in providing Sunlight Readable monitors and touch-screens for challenging environments. However demanding your application may be, we will provide the very best solution. Our vast client base shows our versatility in providing the very best Sunlight Readable Monitors in the industry. What is a sunlight readable monitor? To learn even more- watch this video.

OUR TECHNICAL EXPERTS ARE READY TO HELP YOU FIND THE BEST LCD DISPLAY

With over 200 LCD monitors and touch screens on our site, selecting the ideal equipment, or touch screen solution may be a bit overwhelming. To help narrow-down the choices, check out our Advanced Search Tool. For example, this enables you to filter by your own specific search requirements. Shop by size and view only 13-19" monitors, view all touch screen displays, or only monitors that operate on 24VDC power. TRU-Vu can provide modified or Custom OEM LCD Displays. Private Label

Monitors are also an option if you have very specific requirements.

Finally, our team members are ready to help! We can determine the exact solution that will meet your specific needs . Certainly, TRU-Vu will help provide crystal-clear images for your operating requirements . Call (847) 259-2344 today to speak with one of our specialists. Above all, we will listen. It's one of the things we do best. Our professional advisors will ensure the monitor or touch screen you receive will be and do everything you had hoped it would!

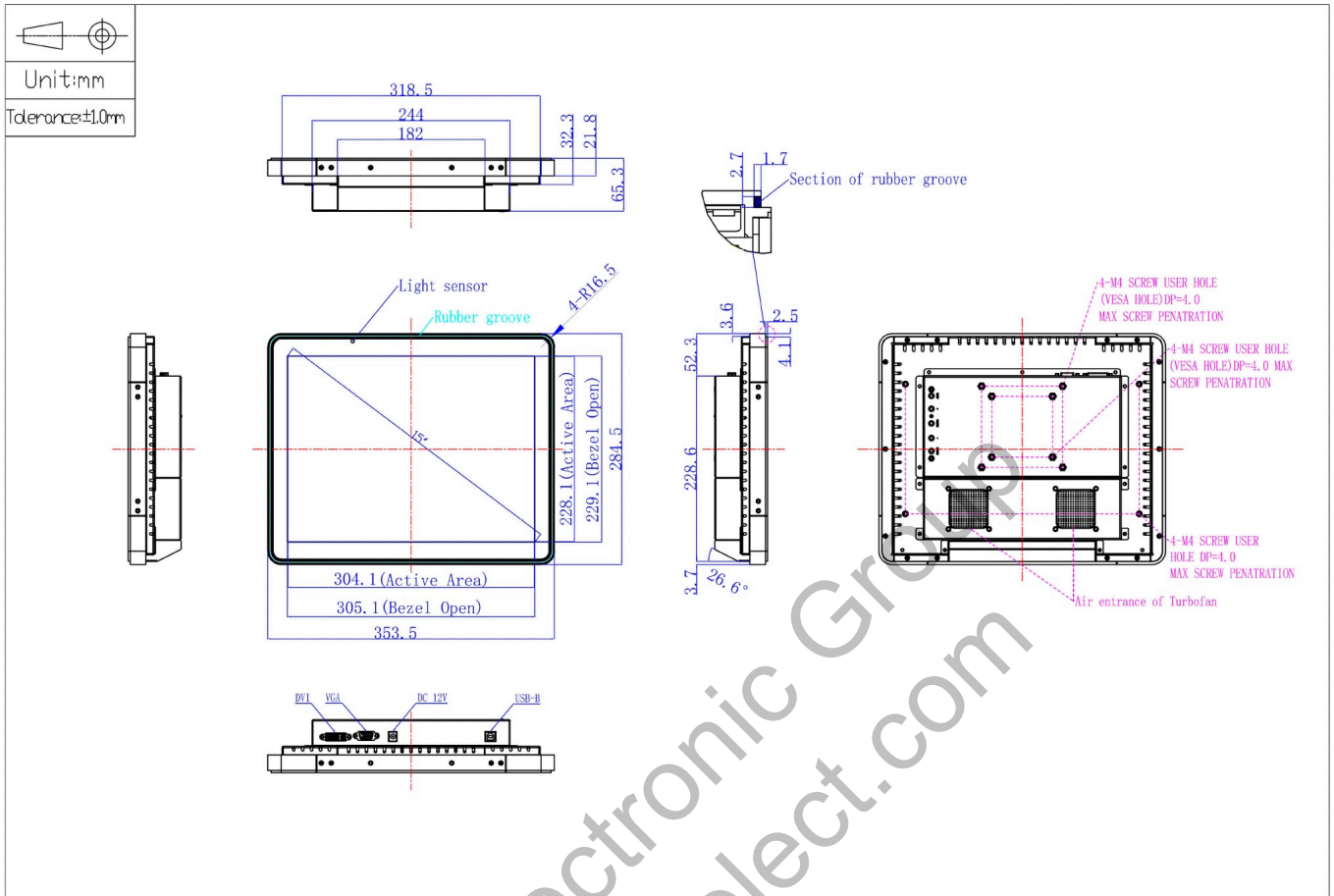
If you prefer, fill out a quick form with your requirements, and we will guide you to the proper models that will work best.

SPECIFICATIONS

	VL-SRMHTP-15C
LCD Panel	15" Color LCD; LED Backlights
Touch Technology	Projected Capacitive
Touch Interface	USB
Resolution	1024 x 768 (XGA)
Viewable Area	11.97" (W) x 8.98" (H) (304.13 x 228.10 mm)
Pixel Pitch	0.297mm x 0.297mm
Display Colors	16.2 M
Aspect Ratio	4:3
Brightness	1,500 nits
Contrast Ratio	1000:1
Viewing Angle	178° (H) x 178° (W)
Response Time	25 msec Trf
Control	OSD (On-Screen Display) via Rear Panel Pushbuttons
Vldeo Inputs	VGA & DVI
Power Requirement	12 VDC / 100-240 VAC via Included Power Brick
Power Consumption	TBD
Enclosure	Painted Steel
Mounting	Rear VESA 75 & 100mm Mounting Holes and Perimeter Mounting Holes for Optional L-Brackets
Operating Temperature	-22° to +185° F (-30°C to +85°C)
Humidity	8-90%RH
Shock / Vibration	50 G (20 msec, ½ sine) / 1.5 G RMS 10-200 HZ
Dimensions	13.92" (W) x 11.2" (H) x 2.57" (D) (353.5 W x 284.5 H x 65.3 D mm)
Weight	10.9 lb (4.95 kg)

Note: Specifications subject to change without notice.

DIMENSIONS (MM)



Standard Accessories:

- 90-240 VAC Power Supply
- VGA Cable
- USB Cable

Available Options:

- Waterproof Enclosure
- 9-36 VDC Operation
- Optical Bonding
- Private Label
- Other Customer - Specific Modifications