

SRMHTP-13.3GDA

13.3 Sunlight Readable Touch Screens

- 1,500 nits Brightness
- Projected Capacitive (P-Cap) w Ant-reflective Glass
- Produces Clear, Sharp Images Even in Direct Bright Sunlight
- On-Screen Display (OSD) Controls via Side Panel Pushbuttons
- Auto Re-Start After Power Loss
- Fan-Less Thermal Pad for Internal Cooling
- TRU-Tuff Ensures Maximum Shock and Vibration Resistance
- Can Be Customized to Meet Your Needs
- 3-Year Warranty
- TAA Compliant



HIGH BRIGHTNESS 13.3 SUNLIGHT READABLE TOUCH SCREEN DISPLAYS

The SRMHTP-13.3GDA are 13.3 sunlight readable touch screen monitors. They feature at least 1500 nits brightness and a 16:9 aspect ratio. We design the SRMHTP-13.3GDA monitors for use in direct sunlight. Consequently, they are also perfect for other high ambient-light conditions. They utilize state-of-the-art LED backlights. In contrast, this is over 3 to 5 times brighter than standard monitors. For example, standard monitors are only 200-300 nits brightness. Therefore, the result is an amazingly bright screen. This will provide you with crystal-clear images, even with bright, direct sunlight on the face of the screen. It also features Dim-to-Black brightness adjustments to ensure optimal image quality in any ambient light conditions. Additionally, Anti-reflective glass is standard on this model.

RUGGED INDUSTRIAL TOUCH SCREEN MONITORS; FAN-LESS MONITORS

The SRMHTP-13.3GDA 13.3" sunlight readable touch monitors are extremely rugged. For instance, we build them with true industrial-grade components. Furthermore, they receive our exclusive TRU-Tuff treatment. The TRU-Tuff process includes RTV silicone on all connections and critical components. Additionally, all wires are dressed, tie-wrapped and secured. Lastly, we apply ThreadLock to all screws. The Aluminum Zero Bezel Front enclosure will ensure maximum shock and vibration resistance for this rugged 1500 nits brightness monitor. They operate on 9-36 VDC. The unique fan-less design incorporates an internal heat sink and thermal pad to maintain internal temperatures. The benefit is higher long-term reliability (no fan failure) and superior performance in dirty environments.

13" TOUCH SCREEN WITH EXTREME OPERATING TEMPERATURES

We design the SRMHTP-13.3GDA 13.3 sunlight readable touch to operate in nearly any environmental conditions. Whether in frigid conditions or blazing heat, these sunlight displays will survive and thrive. To clarify, these monitors will operate in temperatures down to -4°F (-20°C). They will also withstand brutal heat, with operating temperatures up to 158°F (+70°C). The rugged aluminum Bezel-less enclosures assure these 13.3" high brightness touch screens will provide years of reliable imaging performance. Specifically, typical MTBF for these monitors is 50,000 hours.

13" TOUCHSCREENS DEPLOYED WORLDWIDE

Our high brightness, 13.3 sunlight readable touch screen monitors have been deployed in a wide range of demanding industries. For example, military, law enforcement, industrial manufacturing, aviation and entertainment benefit. They are also found in inspection, kiosks, heavy equipment, and transportation. TRU-Vu monitors are backed by our full 3-Year Warranty. This ensures you of many years of reliable service.

FIND THE BEST 13 INCH SUNLIGHT READABLE TOUCH SCREEN FOR YOUR APPLICATION

With over 200 LCD monitors and touch screens on our site, selecting the ideal equipment, or touch screen solution may be a bit overwhelming. To help narrow-down the choices, check out our [Advanced Search Tool](#). For example, this enables you to filter by your own specific search requirements. We specialize in providing Sunlight Readable monitors and touch-screens for challenging environments. You may also see only 24VDC monitors. However demanding your application may be, we will provide the very best solution. Shop by size [7" - 12" Monitors](#), or see our [full line of Zero-Bezel monitor and touch screens](#).

Our vast client base shows our versatility in providing the very best Sunlight Readable Monitors in the industry. What is a sunlight readable monitor? To learn even more- watch this video. Custom OEM LCD Displays and Private Label Monitors are also an option if you have very specific requirements, or visit our wide range of LCD monitor mounts and stands to complete your installation.

Finally, our team members are ready to help! We can determine the exact solution that will meet your specific needs. Certainly, TRU-Vu will help provide crystal-clear images for your operating requirements. Call (847) 259-2344 today to speak with one of our specialists. Above all, we will listen. It's one of the things we do best. Our professional advisors will ensure the monitor or touch screen you receive will be and do everything you had hoped it would!

If you prefer, fill out a quick form with your requirements, and we will guide you to the proper models that will work best.

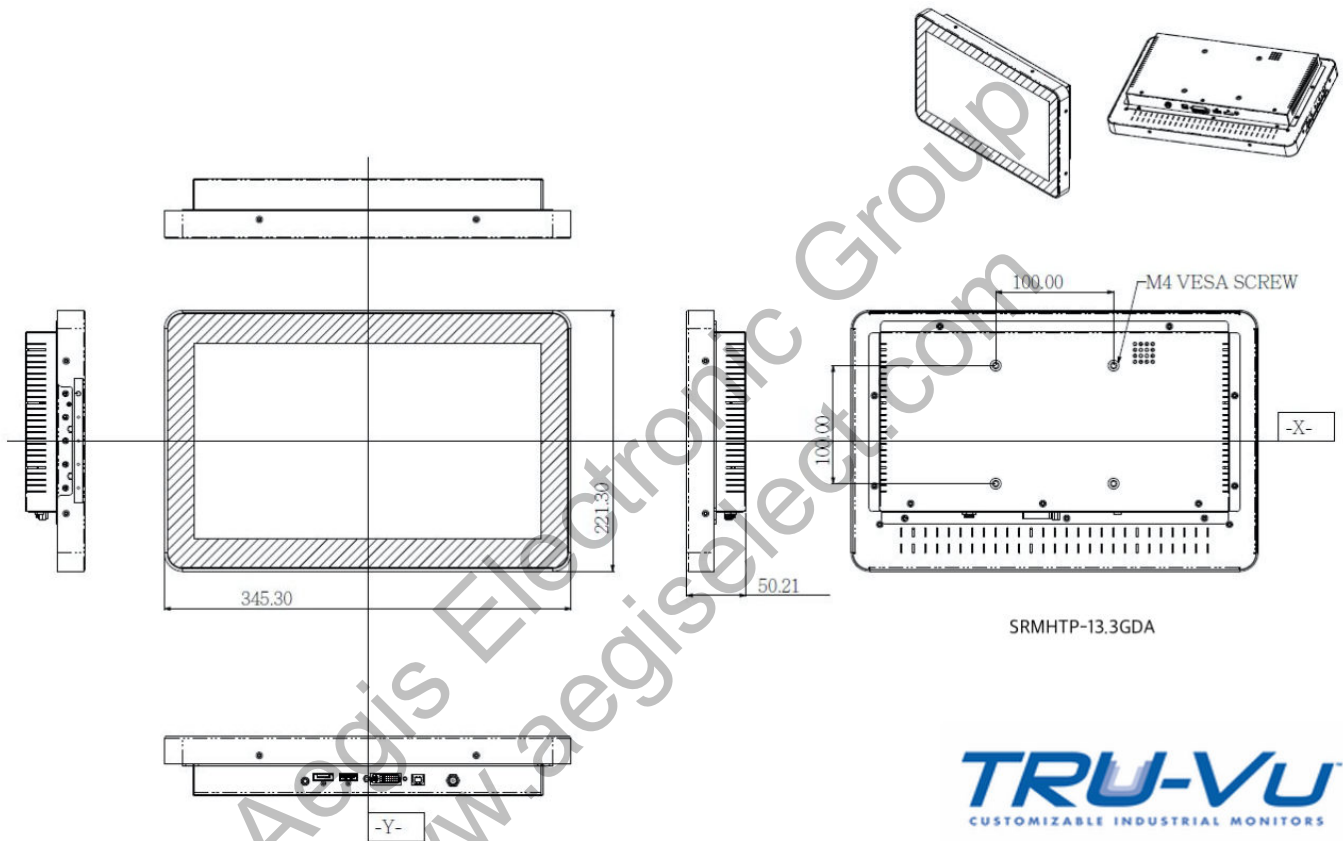
SPECIFICATIONS

	SRMHTP-13.3GDA
LCD Panel	13.3" AHVA Panel; LED Backlights
Touch Screen	Projected Capacitive (P-Cap)
Touch Interface	USB
High Retention USB	Standard
Display Resolution	1920 x 1080 (1080P/60 Full HD)
Viewable Area	11.55" (W) x 6.50" (H) (293.472 x 165.078 mm)
Pixel Pitch	0.15285mm
Display Colors	16.7 M
Aspect Ratio	16:9
Brightness	1,500 nits
Dim-To-Black	Standard
Contrast Ratio	800:1
Viewing Angle	178° (H) x 178° (V)
Response Time	25msec Trf
Control	OSD (On-Screen Display) via Side Panel Pushbuttons
Video Inputs	HDMI, DVI, DisplayPort
Protective Glass	Anti-Reflective
Power Requirements	9-36 VDC
Power Consumption	29W
Enclosure	Aluminum, Zero-Bezel Front
Enclosure IP Rating	Front: IP65 Rear: IP30
Mounting	100 x 100mm Rear VESA Mount Holes
Internal Cooling	Thermal Pad (no fan)
Operating Temp.	-4° to +158° F (-20° to +70° C)
Humidity	5-90% RH
Shock	50 G (20 msec, 1/2 sine)
Vibration	1.5G RMS 10-200 HZ

SRMHTP-13.3GDA	
Dimensions	13.60" x 8.71" x 1.98" (345.30 x 221.30 x 50.26mm)
Weight	4.45 lbs. (2.02 kg)
Warranty	3 Years

Note: Specifications subject to change without notice.

DIMENSIONS (MM)



SRMHTP-13_3GDA

Standard Accessories:

- Power Pigtail with Locking Connector
- HDMI Cable
- USB Cable

Available Options:

- AC Adapter (PS-12-LC)
- Powder-Coated Steel Enclosure
- 5-Wire Resistive Touch Screen
- Automatic Ambient Light Sensor
- Composite BNC Input (SRMHTP-13.3U)

- Open-Frame Configuration (SRMHTP-13.3G-OF)
- Stainless Steel NEMA 4X Waterproof Enclosure (SRMHTPW-13.3U)
- Optical Bonding
- Tabletop Base
- Wall Mount Bracket
- Panel Mount Enclosure
- Other Customer - Specific Modifications

Aegis Electronic Group
www.aegiselect.com