

SRMHXTRWP-12R-36

12" Outdoor Touchscreen

- 1,500 nits Brightness
- Produces Clear, Sharp Images Even in Direct, Bright Sunlight
- 5-Wire Resistive Touch Technology
- Waterproof NEMA 4X Stainless Steel Panel-Mount Enclosure
- Ambient Light Sensor
- 9-36 VDC
- Auto Re-Start After Power Loss
- Compatible with Automation Direct HMI
- *TRU-Tuff* Ensures Maximum Shock & Vibration Resistance
- 3-Year Warranty
- TAA Compliant



12" SUNLIGHT READABLE OUTDOOR WATERPROOF TOUCH SCREEN

The SRMHXTRWP-12R-36 are 12" sunlight readable panel mounted waterproof touch screen monitors. They feature at least 1,500 nits screen brightness and a 4 : 3 aspect ratio. We design this 12inch touch screen outdoor weatherproof LCD display specifically for use in direct sunlight. Because of the high brightness of the SRMHXTRWP-12R-36 panel mount monitors, they are also perfect for other high ambient-light conditions. These weather proof touch screens utilize state-of-the-art LED backlights. 1500 nits brightness is over 3 to 5 times brighter than standard monitors. For example, standard monitors are only 200-300 nits brightness. Therefore, the result is an amazingly bright screen. This will provide you with crystal-clear images, even in direct, bright sunlight on the face of the screen. It is also compatible with Automation Direct HMI.

RUGGED WEATHER PROOF TOUCH SCREEN MONITOR

These 12" 1500 nit high bright touch screen displays are not only bright, but extremely rugged. For example, we build them with true industrial-grade components. Furthermore, they receive our exclusive TRU-Tuff treatment. The TRU-Tuff process includes RTV silicone on all connections and critical components. Additionally, all wires are dressed, tie-wrapped and secured. Lastly, we apply ThreadLock to all screws. The rugged Stainless Steel panel mount enclosure ensures maximum shock and vibration resistance for this rugged 1000 nit monitor. The enclosure is rated NEMA 4X Waterproof.

PANEL MOUNT WATERPROOF TOUCHSCREEN

This 12inch touch screen is a weatherproof touch monitor that features a rugged waterproof stainless steel panel mount enclosure. Flush mount this unit into any panel, cabinet, door or wall. There's also a handy guide on how to install a panel-mount touchscreen. It is impervious to liquids, rust and corrosion. It is rated NEMA 4X. This weather proof monitor will easily withstand the elements outdoors. It is also ideal for wash-down environments. For this reason, it is widely used in industrial and food processing plants. The touch screen on the SRMHXTRWP-12 Series is 5-wire resistive touch technology. Follow this link if you would like to learn more about the 5 types of touch screens.

EXTREME OPERATING TEMPERATURES ARE CRUCIAL FOR OUTDOOR TOUCH SCREEN

We design the SRMHXTRWP-12 Series to operate in nearly any environmental conditions. This 12" outdoor waterproof monitor performs in frigid conditions or blazing heat. These sunlight displays will survive and thrive. To clarify, these monitors will operate in temperatures down to -22°F (-30°C). They will also withstand brutal heat. Moreover, operating temperatures go up to 185°F (85°C). The rugged stainless steel enclosures are waterproof. We design them for panel mount or flush mount applications. The 12" high brightness displays will provide years of reliable imaging performance. Specifically, typical MTBF for these monitors is 50,000 hours.

DEPLOYED WORLDWIDE: TRU-VU 12" TOUCH SCREENS

Our 12inch touch screens have been deployed in a wide range of demanding industries. For example, industries such as military, law enforcement, manufacturing and entertainment will benefit. 12" outdoor waterproof monitors are also deployed in the inspection, marine, oil & gas sectors. Industrial and transportation industries also utilize this popular model. TRU-Vu monitors are backed by our full 3-Year Warranty. This ensures you of many years of reliable service for your high bright outdoor display.

OUR TECHNICAL EXPERTS ARE READY TO HELP YOU FIND THE BEST TOUCH DISPLAY

With over 200 LCD monitors and touch screens on our site, selecting the ideal weatherproof touch screen solution may be a bit overwhelming. To help narrow-down the choices, check out our [Advanced Search Tool](#). For example, this enables you to filter by your own specific important features. Filter by [Sunlight Readable](#) monitors for challenging environments or size [7-12" monitors](#). View our [Waterproof displays, 24VDC models](#). Sort by [Touch Screen Monitors](#) or [Panel Mount Monitors](#). Custom OEM LCD Displays and Private Label Monitors are also an option if you have very specific requirements.

Finally, our team members are ready to help! We can determine the exact solution that will meet your specific needs. Certainly, TRU-Vu will help provide crystal-clear images for your operating requirements. Call (847) 259-2344 today to speak with one of our specialists. Above all, we will listen. It's one of the things we do best. Our professional advisors will ensure the monitor or touch screen you receive will be and do everything you had hoped it would!

If you prefer, fill out a [quick form](#) with your requirements, and we will guide you to the proper models that will work best.

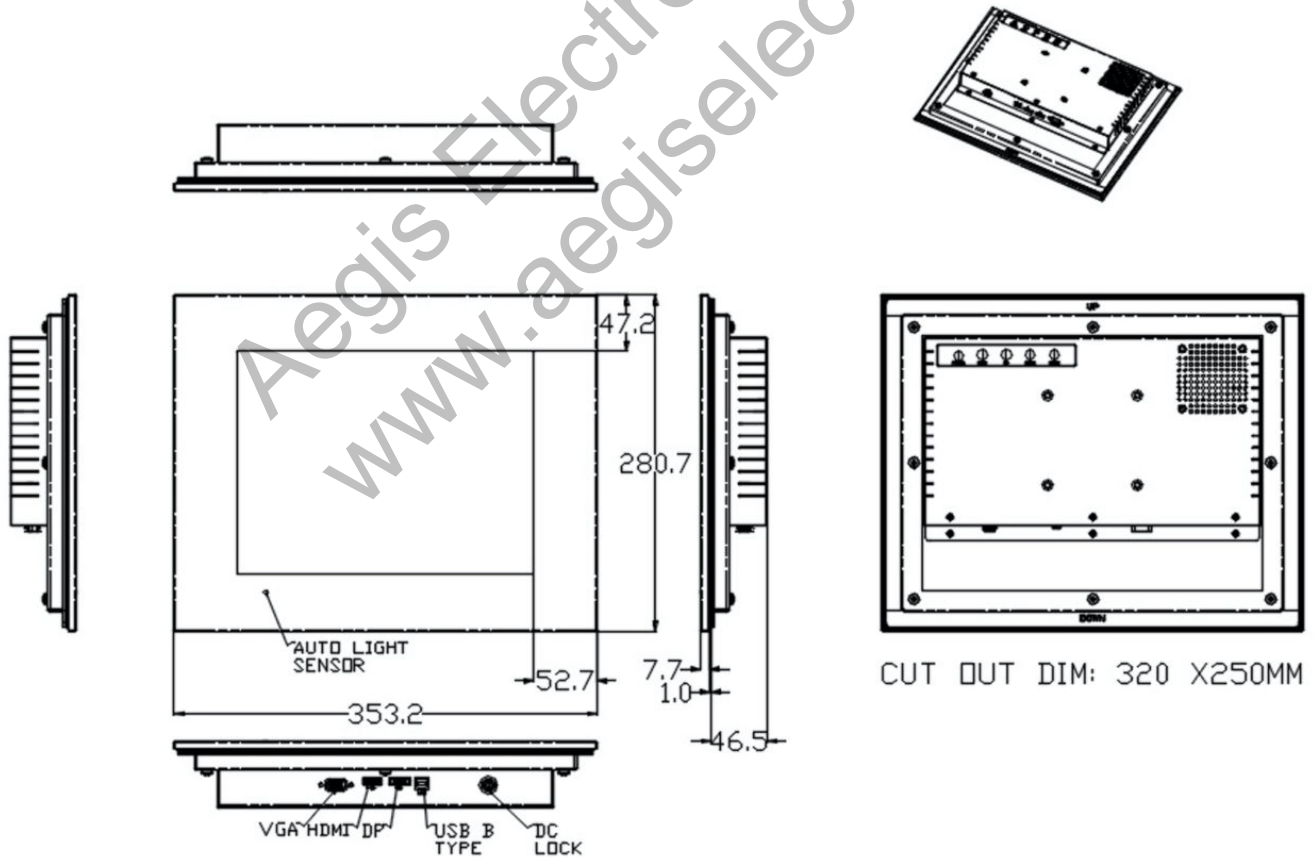
SPECIFICATIONS

	SRMHXTRWP-12R-36
LCD Panel	12" Color TN Panel; LED Backlights
Touch Technology	5-Wire Resistive Touch
Touch Interface	USB
Resolution	1024 x 768
Viewable Area	9.675" (W) x 7.256" (H) (245.76 x 184.32 mm)
Pixel Pitch	0.240mm
Display Colors	16.2 Million
Aspect Ratio	4:3 (5:4)
Brightness	1,500 nits
Contrast Ratio	500:1

SRMHXTRWP-12R-36	
Dimming Function	Automatic Ambient Light Sensor
Viewing Angle	160° (H) x 160° (V)
Response Time	35 msec Trf
Vlideo Inputs	VGA, HDMI, DisplayPort
Power Requirement	9-36 VDC (2.5mm Locking Pigtail)
Power Consumption	23 Watts
Enclosure	Panel-Mount; Stainless Steel Front; Galvanized Rear Clamping Bracket
Enclosure Rating	NEMA 4X; Front: IP65
Operating Temperature	-22° to +185° F (-30° to +85° C)
Humidity	5-90% RH
Shock	50 G (20 msec, ½ sine)
Vibration	1.5G RMS 10-200 HZ
Dimensions	13.9" (L) x 11.05" (H) x 1.83" (D) 353.2 x 280.7 x 46.4mm
Weight	8.54 lbs (3.87 kg)
Warranty	3 Years

Note: Specifications subject to change without notice.

DIMENSIONS (MM)



Standard Accessories:

- VGA Cable
- 2.5mm Locking Power Pigtail
- HDMI Cable
- USB Cable

Available Options:

- Power Adapter (PS-12-LC)
- Direct 90-240VAC Operation (SRMHXTRWP-12R)

Aegis Electronic Group
www.aegiselect.com