

This information is brought to you by:



ELECTRONIC GROUP, INC
480-635-8400 p * aegis-g2@aegiselect.com
<http://www.aegis-elec.com>

Full Hi-Vision Direct-connect monitor

NEW

Full Hi-Vision Camera

STC-HD213DV [DVI]

STC-HD213SDI [SDI]

Full Hi-Vision camera with HDMI Output

Ideal for applications with streaming video direct to a monitor through HDMI Output

Cross lines - shadow mask display on the screen



※reference image

Product Features

- 1920(H) x 1080(V)
- 2.9 μ m x 2.9 μ m
- 60fps
- 1/2.8型
- Lens Mount : C / CS
- 1080P60 Compliant
- HDMI(DVI) / BNC(SDI) Connector
- High sensitivity • High image

Specifications

Model Numbers : STC-HD213DV / STC-HD213SDI
 STC-HD213DV-CS (*4) / STC-HD213SDI-CS (*4)
 STC-HD213DVN (*5) / STC-HD213SDIN (*5)
 STC-HD213DVN-CS (*6) / STC-HD213SDIN-CS (*6)
 STC-HD213DVN-B(*7) / STC-HD213SDIN-B (*7)

Effective Pixels : 1920(H) x 1080(V)
Cell Size : 2.9(H) x 2.9 (V) μm
Shutter Type : Rolling Shutter
Minimum Illumination : 0.4 Lux at F1.4 (Gain Max)
Frame Rate : • DVI
 1080p60 / 59.94 / 50 / 30 / 29.97 / 25 / 60 / 59.94 / 50
 720p60 / 59.94 / 50 / AUTO
 • SDI
 3G-SDI : 1080P60 / 59.94 / 50
 HD-SDI : 1080P30 / 29.97 / 25
 720P60 / 59.94 / 50

ALC : AEE / AGC interlock
Gain : 0 ~ 45dB
Gamma : 0.3 / 0.45 / 0.5 / 0.6 / 0.7 / 0.8 / 0.9 / 1 / Manual
White Balance : Auto / Manual / One Push
Image Flip : Horizontal / Vertical / Horizontal and vertical / Off
Line Maker : 2 Lines Each for Horizontal, Vertical Line Maker / Off
Shadow Mask : Horizontal, Vertical Shadow Mask ON / Off
OSD : OSD Display available via UART Communication
Pixel Defect Correction : HDMI Connector, (DVI)

Pixel Defect Correction : Up to 256 points
Video Output : HDMI Connector, (DVI)
 BNC Connector, (SDI)
Power Input : DC power Jack 【PC721A (Switchcraft) equivalent】 (*1)
Consumption Power : under 3.3W
 under 2.1W *STC-HD213DVN / STC-HD213SDIN
Communication : UART Communication : 3.5 mm Stereo Pin Jack
Input Voltage : +9 +15 Vdc (Typical: +12 Vdc)
Size : 40 (W) x 40 (H) x 48.9 (D) mm(*2)
Optical Filter : IR cut filter, Optical Low Pass Filter attached
Lens Mount (*3) : C mount

(*1) DC Power plug: Please use 2.1 mm plug
 DC Power Plug (Screw type): Please use 762K(Switchcraft) or equivalent

(*2) Connector Excluded

(*3) Recommended Lens : Over F2.8

(*4) CS mount model

(*5) Non-Memory Model

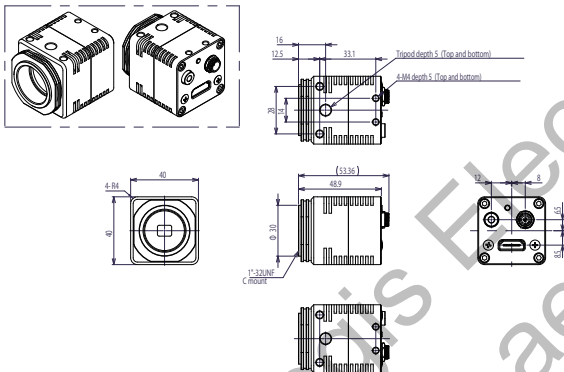
- Not support "Digital zoom", "Still image" and "Extended exposing"
- Consumption Power : 2.1W
- Operational Temperature
 STC-HD213DVN : 0 ~ +48°C / STC-HD213SDIN : 0 ~ +49°C

(*6) Non-Memory Model/CS mount model

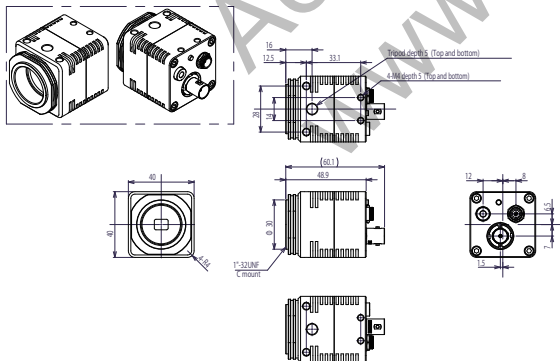
(*7) Non-Memory Model/Board model(These models are coming soon.)

Dimensions

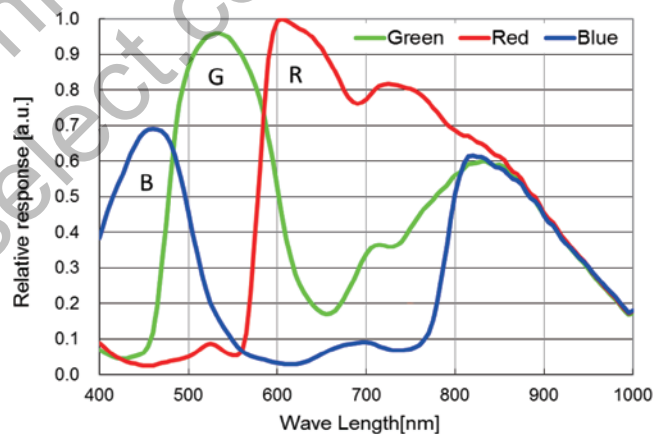
STC-HD213DV/STC-HD213DVN



STC-HD213SDI/STC-HD213SDIN



Spectral Sensitivity



*Other company names and product names in this website are either registered trademarks or trademarks of their respective owners.

Note: Do not use this document to operate the Unit.

OMRON Corporation Industrial Automation Company
 Kyoto, JAPAN

Authorized Distributor:

© OMRON Corporation 2020 All Rights Reserved.
 In the interest of product improvement,
 specifications are subject to change without notice.