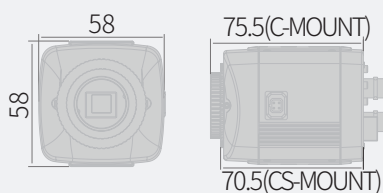


Analog Camera

KPC-CN6360xU

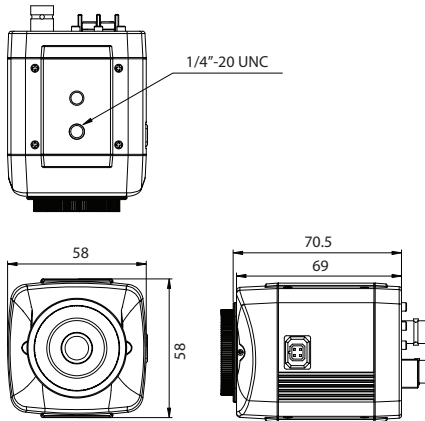
- 1/3.2" 1.3M SONY STARVIS CMOS
- Horizontal 800TV Lines
- CVBS(1.0Vp-p Composite 75Ω)
- C/CS Mount for lens
- WDR, 2DNR
- Mechanical Day&Night
- Box Camera



Analog Camera

KPC-CN6360xU

Dimensions



Specifications

Image Sensor	1/3.2" Exmor RS Progressive Scan SONY STARVIS CMOS	Privacy Mask		
Effective Pixels	1.27MP 1297(H) x 977(V)	Image Rotation	OFF, H-FLIP, V-FLIP, HV-FLIP	
Max. Video Resolution	Horizontal 800TV Lines	Defog	OFF, AUTO	
Lens	Lens	C/CS Mount lens	Sharpness	0-255
	FOV	Depend on lens	OSD control	Rear OSD button
	F-Stop	Depend on lens	Language	English, Spanish, Portuguese, German, Russian, French
Min.Illumination	0.2 Lux (30IRE, F2.0, AGC MAX)	Video Output Mode	CVBS(1.0Vp-p Composite 75Ω) NTSC/PAL	
Gamma	$\gamma=0.45$	General		
IR LEDs	-	IP Rating	-	
IR Range	-	Operating Temperature	-10°C~+50°C(Humidity less than 80%)	
White Balance	ATW / PUSH / USER1 / USER2 / MANUAL / PUSH LOCK	Storage Temperature	-20°C~+60°C(Humidity less than 80%)	
Dynamic Range	WDR	WDR / ATR / OFF	Dimension(mm)	58X58X70.5mm
	BLC	OFF / HLC / BLC	Weight	Approx.180g
	Level	138.1dB	Power Source	12VDC(±10%)
Electronic Shutter Speed	AUTO or 1/60(50)~1/100,000	Power Consumption	12VDC(±10%), 130mA max.	
Digital Slow shutter(DSS)	-	Option		
Auto Gain Control(AGC)	MIN, 6, 12, 18, 24, 30, 36, 42, 48, MAX	Power Source	DUAL POWER(24VAC/12VDC)	
Day&Night	AUTO/MANUAL (Mechanical ICR True D&N)	Power Consumption	24VAC(±10%), Max.2.9W 12VDC(±10%), Max.180mA	
Noise Deduction	2D-DNR (Y/C, Y, C, OFF)	Lens	C/CS Mount Lens	
Motion Detection	-			