



CAMERA LINK MACHINE VISION CABLES

PART NUMBER REFERENCE



Select Connector Type: End "1"

MDR Male Straight Exit = 1	MDR Male Exit <i>LEFT</i> w/Recessed Screws = 11
MDR Female Straight Exit = 2	HDR / SDR Female Straight Exit = 12
MDR Male Low Profile R/A Exit <i>UP</i> = 3	MDR Male R/A <i>UP</i> 135° Exit <i>LEFT</i> = 13
MDR Male Low Profile R/A Exit <i>DWN</i> = 4	MDR Male R/A <i>DWN</i> 135° Exit <i>LEFT</i> = 14
HDR / SDR Male Straight Exit = 5	14P HDR / SDR PoCL Lite Straight Exit w/Recessed Screws = 15
HDR / SDR Male R/A Exit <i>UP</i> w/Recessed Screws = 6	MDR Latch Type Straight Exit = 16
HDR / SDR Male R/A Exit <i>DOWN</i> w/Recessed Screws = 7	HDR / SDR Male Exit <i>RIGHT</i> w/Recessed Screws = 17
MDR Male Ext. Profile R/A Exit <i>UP</i> = 8	HDR / SDR Male Exit <i>LEFT</i> w/Recessed Screws = 18
MDR Male Ext. Profile R/A Exit <i>DWN</i> = 9	HDR / SDR Male R/A <i>UP</i> Ext. Profile w/Recessed Screws = 19
MDR Male Exit <i>RIGHT</i> w/Recessed Screws = 10	HDR / SDR Male R/A <i>DWN</i> Ext. Profile w/Recessed Screws = 20

Cable Type Options:

HIFLEX (Robotic / C-Track) = 1	30 AWG (Robotic / C-Track) = 3	PoCL Lite = 5
HIFLEX PoCL (Robotic / C-Track) = 2	30 AWG PoCL (Robotic / C-Track) = 4	

Select Connector Type: End "2"

MDR Male Straight Exit = 1	MDR Male Exit <i>LEFT</i> w/Recessed Screws = 11
MDR Female Straight Exit = 2	HDR / SDR Female Straight Exit = 12
MDR Male Low Profile R/A Exit <i>UP</i> = 3	MDR Male R/A <i>UP</i> 135° Exit <i>LEFT</i> = 13
MDR Male Low Profile R/A Exit <i>DWN</i> = 4	MDR Male R/A <i>DWN</i> 135° Exit <i>LEFT</i> = 14
HDR / SDR Male Straight Exit = 5	14P HDR / SDR PoCL Lite Straight Exit w/Recessed Screws = 15
HDR / SDR Male R/A Exit <i>UP</i> w/Recessed Screws = 6	MDR Latch Type Straight Exit = 16
HDR / SDR Male R/A Exit <i>DOWN</i> w/Recessed Screws = 7	HDR / SDR Male Exit <i>RIGHT</i> w/Recessed Screws = 17
MDR Male Ext. Profile R/A Exit <i>UP</i> = 8	HDR / SDR Male Exit <i>LEFT</i> w/Recessed Screws = 18
MDR Male Ext. Profile R/A Exit <i>DWN</i> = 9	HDR / SDR Male R/A <i>UP</i> Ext. Profile w/Recessed Screws = 19
MDR Male Exit <i>RIGHT</i> w/Recessed Screws = 10	HDR / SDR Male R/A <i>DWN</i> Ext. Profile w/Recessed Screws = 20

Option: Length in Meters

Physical:

Cable Color:	Black
Shell Color:	Black
Shell Construction:	Pre-molded in Polyethelene, fully shielded and over-molded in black PVC.
Cable Construction:	Meets Automated Imaging Association Camera Link Standard. Skew-within pair; 35 ps/m max Skew-channel skew per chipset; 50 ps/m max. All cables are Camera Link approved.

Temp: 8-14-19

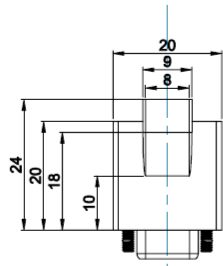
CONNECTOR TYPE OPTIONS:



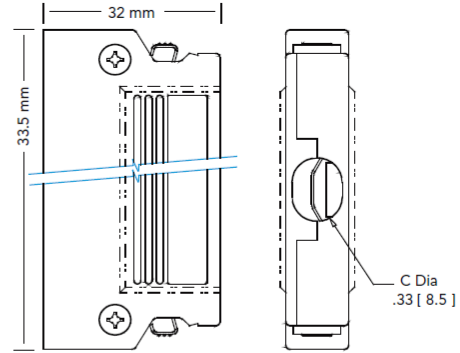
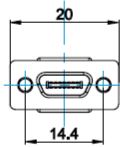
* Connector #12 & 16 are ONLY compatible with cable types 3 & 4.
 ** Cable type 5 is ONLY compatible with connector #15.

See pages 4 – 5 for profile drawings.

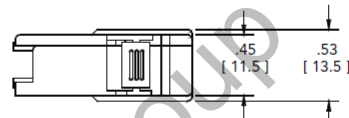
Temp:
8-14-19



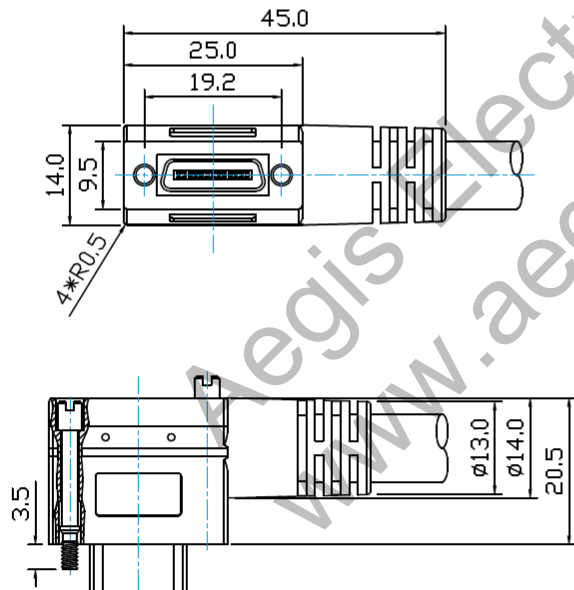
PROFILE 15



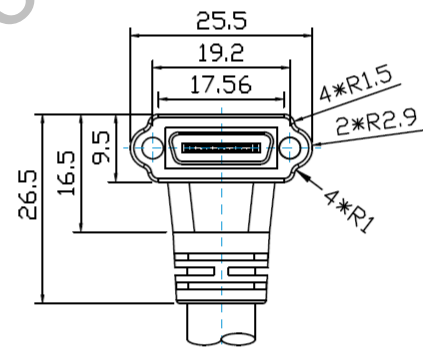
PROFILE 16



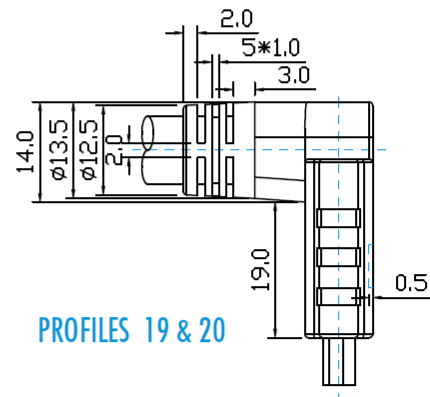
Assembled Junction Shell



PROFILES 17 & 18



PROFILES 19 & 20



Temp: 8-14-19


MVC-Cable Type #: 1

Please Note that Cable Type #: 2 (pg. 2) may be substituted for Cable Type #: 1, For non-PoCL assemblies.

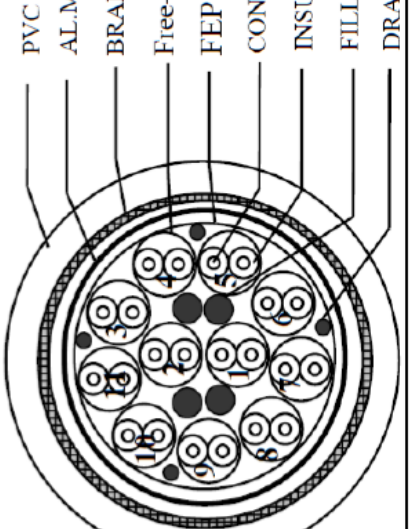

SPECIFICATION: (1P*28#+AL)*11C+4D+ FEP tape + Free-edge-AL-MYLAR +B		CONSTRUCTION	D.W.G
ITEM	SPECIFICATION		
CONDUCTOR	28AWG TINNED COPPER 19/0.08±0.008 mm		
INSULATION	0.25 mm FM-PE+SKIN 1.02±0.05 mm 100% 25% MIN (1P+AL)*11C		
Face Outside AL.Mylar	28AWG TINNED COPPER 19/0.08±0.008 mm×4PCS		
DRAIN	100% 25% MIN 100% 25% MIN		
FEP tape	100% 25% MIN		
Free-edge-AL-MYLAR	100% 25% MIN		
DRAIN	100% 25% MIN		
BRAID	100% 25% MIN		
COPPER	100% 25% MIN		
JACKET	0.51 mm HALF MATT PVC UL813 9.50 ± 0.20 mm	<p>COMPONENTS EXPRESS, INC. 10330 Argonne Woods Drive, Ste 100 Woodridge, IL 60517</p>	
ELECTRICAL CHARACTERISTICS 1. Rating: TEMP: 80°C; VOLTAGE: 30V 2. Conductor Resistance: at 20°C MAX 28AWG: 237.25Ω/km; 3. Insulation Resistance: 100MΩ-km min. at 20°C 4. Dielectric Strength: AC 500V/1 minute no breakdown. 5. Impedance: 100±10Ω 6. Time Delay Skew: within a pair(max) 50ps/M; 7. Delay Max 5.20ns/m		PHYSICAL PROPERTIES OF JACKET 1. Tensile Strength: Unaged: 1500PSI min Aged: 70% min 2. Elongation: Unaged: 100% min Aged: 65% 3. Heat shock test: NO CRACKING 4. Cold bend test: NO CRACKING 5. Deformation test: MAX 50% 6. Flame test: PASS VW-1	
COLOUR CODE: (1P-AL)*11C: 1. white ^w white/black 2. white ^w white/red 3. white ^w white/green 4. white ^w white/blue 5. white ^w white/purple 6. white ^w white/gray 7. white ^w white/yellow 8. white ^w white/orange 9. white ^w white/brown 10. white ^w white/green 11. white ^w black ^b white/red		机(機)器人 / 拖链 MINIMUM BEND RADIUS: 10X O.D.	
APPROVED CHECKED DRAWING		CUSTOMER REV DATE	
2065940066 (E0755-1) 8/8/19		CC-EW-206A 16/11/03 A	

MVC-Cable Type #: 2

Please Note that Cable Type #: 2 (pg. 2) may be substituted for Cable Type #: 1, For non-PoCL assemblies.

SPECIFICATION: (1P*28#+AL)*11C+2C*24#+2D+ FEP tape + Free-edge-AL-MYLAR +B		CONSTRUCTION D.W.G	
ITEM	SPECIFICATION	D.W.G	
CONDUCTOR	28AWG TINNED COPPER	PVC JACKET	
	COND.SIZE 19/0.08±0.008 mm	BRAID	
	MIN.AVG.THICK 0.25 mm	Free-edge-AL-MYLAR	
INSULATION	MATERIAL FM-PE+SKIN	FEP tape	
	O . D 1.02±0.05 mm	CONDUCTOR	
Face Outside	COVERAGE 100%	INSULATION	
AL.Mylar	OVERLAP 25% MIN	FILLER	
	N.O. (1P+AL)*11C	DRAIN	
DRAIN	AWG 24AWG	COLOUR CODE:	
	MATERIAL TINNED COPPER	(1P+AL)*11C: 1.white*white/black 2.white*white/red 3.white*white/green	
FEP tape	SIZE 19/0.127±0.008 mmx2PCS	4.white*white/blue 5.white*white/purple 6.white*white/gray	
Free-edge-AL	COVERAGE 100%	7.white*white/yellow 8.white*white/orange 9.white*white/brown	
-MYLAR	OVERLAP 25% MIN	10.white/blue*white/green 11.white/black*white/red	
DRAIN	AWG /	2C*24#+12.red 13.black	
BRAID	MATERIAL /	机(機)器人 / 拖链	
COPPER	SIZE /	MINIMUM BEND RADIUS: 10X O.D.	
JACKET	MATERIAL TINNED COPPER	COMMENTS	
	SIZE 24*10/0.12±0.008 mm 90% MIN	COMPONENTS EXPRESS, INC.	
	MIN.AVG.THICK 0.51 mm	10330 Argonne Woods Drive, Ste100	
	MATERIAL HALF MATT PVC -20°C -80°C	Woodridge, IL 60517	
	COLOUR UL813		
	O . D 9.50 ± 0.20 mm	206594006900 8/8/19	
ELECTRICAL CHARACTERISTICS		APPROVED	
1.Rating: TEMP 80°C ; VOLTAGE 30V		CHECKED	
2. Conductor Resistance: at 20°C MAX 28AWG: 237.25Ω/km; 24AWG: 93.25Ω/km		DRAWING	
3. Insulation Resistance: 28AWG 100MΩ-km min at 20°C 24AWG 10MΩ-km min at 20°C		CUSTOMER	
4. Dielectric Strength: AC 500V/1minute no breakdown.		REV	
5. Impedance: 100±10Ω		DATE	
6.Time Delay Skew: within a pair(max) 50ps/M;		16/11/03	
7.Delay Max 5.20ns/m		CC-EW-206A	

MVC-Cable Type #: 3

SPECIFICATION: (1P*30#+AL)*11C+4D+ FEP tape + Free-edge-AL-MYLAR +B		CONSTRUCTION D.W.G
ITEM	SPECIFICATION	 <p>PVC JACKET AL.MYLAR BRAID Free-edge-AL-MYLAR FEP tape CONDUCTOR INSULATION FILLER DRAIN</p>
CONDUCTOR	30AWG TINNED COPPER 19/0.06±0.008 mm	
INSULATION	0.25 mm FM-PE+SKIN 0.79±0.05 mm	
Face Outside AL.Mylar	100% 25% MIN* (1P+AL)*11C	
DRAIN	28AWG TINNED COPPER	
FEP tape	19/0.08±0.008 mm*4PCS 100%	
Free-edge-AL-MYLAR	25% MIN 100% 25% MIN	
DRAIN	/	
BRAID COPPER	/	
JACKET	TINNED COPPER 16*11/0.12±0.008 mm 0.51 mm MATT PVC UL815 8.00 ± 0.30 mm	
ELECTRICAL CHARACTERISTICS		 <p>COMPONENTS EXPRESS, INC. 10330 Argonne Woods Drive, Ste100 Woodridge, IL 60517</p>
1. Conductor Resistance: at 20°C MAX 30AWG: 376.96Ω km;		
2. Insulation Resistance: 10MΩ-km min at 20°C dc 500V (EIA-364-21)		
3. Dielectric Strength: AC 500V/1 minute no breakdown. (EIA-364-20)		
4. Impedance: 100±10Ω		
PHYSICAL PROPERTIES OF JACKET		
1. Tensile Strength: Unaged: 1500PSI min Aged: 70% min		
2. Elongation: Unaged: 100% min Aged: 65%		
3. Heat shock test: NO CRACKING		
4. Cold bend test: NO CRACKING		
5. Deformation test: MAX 50%		
6. Flame test: PASS VW-1		
		<p>机(機)器人 / 拖链</p> <p>MINIMUM BEND RADIUS: 10X O.D.</p>
		<p>96599030004 8/8/19</p>
APPROVED		CUSTOMER
CHECKED		REV A
DRAWING	CWJ	DATE 16.12.10 CC-EW-206A

MVC-Cable Type #: 5

SPECIFICATION:		(1P*30# +AL)*5C+2C*30# +2D+M+AL+B	
ITEM	SPECIFICATION		
CONDUCTOR	30AWG TINNED COPPER	30AWG TINNED COPPER	
COND.SIZE	7/0.10±0.008 mm	7/0.10±0.008 mm	
MIN.AVG.THICK	0.18 mm	0.10 mm	
MATERIAL	FM-PE+SKIN	SR-PVC	
O . D	0.72±0.06 mm	0.60±0.05 mm	
N.O.	1P*5C	2C	
AWG	/	/	
MATERIAL	/	/	
SIZE	/	/	
COVERAGE	100%	/	
OVERLAP	25%MIN	/	
COVERAGE	/	/	
OVERLAP	/	/	
MATERIAL	TINNED COPPER	TINNED COPPER	
SIZE	7/0.127±0.008 mm*2PCS	7PICH .90%MIN	
COVERAGE	100%		
OVERLAP	25%MIN		
COVERAGE	100%		
OVERLAP	25%MIN		
MATERIAL	TINNED COPPER	TINNED COPPER	
SIZE	16*10/0.10±0.008 mm	7PICH .90%MIN	
MIN.AVG.THICK	0.51 mm		
MATERIAL	MATT PVC		
COLOUR	UL813 BLACK		
O . D	5.50±0.20 mm		
JACKET	ELECTRICAL CHARACTERISTICS		PHYSICAL PROPERTIES OF JACKET
	1. Rating: TEMP : 80C ; VOLTAGE : 30V 2. Conductor Resistance : at 20C MAX 30AWG: 376.96Ω km. 3. Insulation Resistance: 30# SR 100MΩ-km min at 20C dc 500V (EIA-364-21) 30# FM-PE-SKIN 100MΩ-km min at 20C dc 500V (EIA-364-21) 4. Dielectric Strength: AC 300V/Innate no breakdown. (EIA-364-20) 5. Impedance: Pairs (differential mode) 100±10Ω 6. Delay Skew: 50ps/in		1. Tensile Strength: Unaged: 1500PSI min Aged: 70% min 2. Elongation: Unaged: 100% min Aged: 65% 3. Heat shock test: NO CRACKING 4. Cold bend test: NO CRACKING 5. Deformation test: MAX 50% 6. Flame test: PASS VW-1
CONSTRUCTION D.W.G PVC JACKET BRAID AL-MYLAR MYLAR FILLER CONDUCTOR INSULATION DRAIN			
COLOUR CODE: 5P*30AWG: 1. WHITE*WHITE/BLACK 2. WHITE*WHITE/RED 3. WHITE*WHITE/GREEN 4. WHITE*WHITE/BLUE 5. WHITE*WHITE/PURPLE 2C*30AWG: 6.BLACK 7.RED			
MINIMUM BEND RADIUS: 10X O.D.			
		COMPONENTS EXPRESS, INC. 10330 Argonne Woods Drive, Ste 100 Woodridge, IL 60517	
APPROVED		CUSTOMER	
CHECKED		REV	
DRAWING		DATE	
		96595230002 8/8/19	
		CWJ	
		A	
		2017.02.16	