

# FULL HD USB Camera

USB CAMERA BOARD

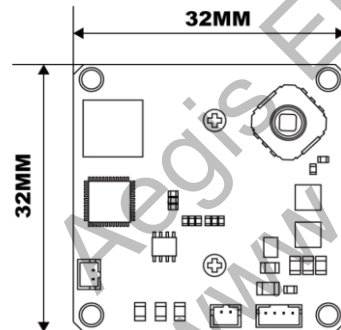
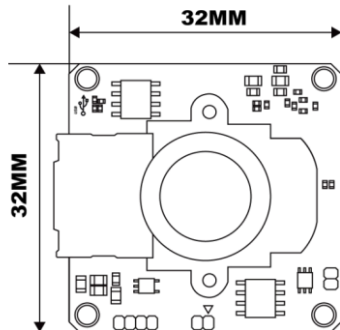
UBHM800

## Main Features

- o USB2.0
- o Excellent Quality of Motion JPEG
- o CVBS Simultaneous output
- o Sony 2.13M STARVIS Image sensor
- o Image Enhancement \_ DWDR , Sens-up , 3DNR
- o OSD Key Control
- o TDN mechanisms available



## 1. OUTSIDE VIEW



## 3. Product Specifications

Image Sensor	Image Sensor	1/2.8" SONY 2.13M STARVIS CMOS	
	Size	1/2.8 inch	
	Scan method	Progressive Scan	
	Total Pixels	1945(H) x 1109(V), 2.16 Mega Pixels	
	Effective Pixels	1945(H) x 1097(V), 2.13 Mega Pixels	
ELECTRICAL	Video Output	USB 2.0 CVBS 1280H 30fps	
	Min. Illumination	COLOR : 0.1Lux / BW : 0.05Lux Color Sen-up :0.01Lux / BW Sen-up :0.005Lux	
	White Balance	ATW/ AWC-SET / INDOOR / OUTDOOR / MANUAL / AWB	
	Exposure	AUTO	
	Shutter Sped	AUTO / FLK NTSC :1/30 ~1/50.000sec / PAL :1/25 ~1/50.000sec	
	SENS-UP	AUTO(x4) / x2.x4.x6.x8.x10.x15.x20.x25.x30	
	Backlight Compensation	OFF / BLC / HSBLC	
	WDR	DWDR	
	Privacy Masking	4 Zone	
	Day & Night	AUTO / COLOR / BW / EXT	
	Motion Detection	OFF / ON	
	2D+3DNR	OFF / LOW / MIDDLE / HIGH	
	Digital Effect	OFF / MIRROR / V-FLIP / ROTATE & FREEZE	
	Sharpness	Adjustable	
	DEFOG	ON / OFF	
	OSD	Built-in ( 5 direction Key)	
	LANGUAGE	ENG/GER/FRA/ITA/SPA/POL/RUS/POR/NED /TUR/KOR/JPN/HEB/ARB	
Lens	Board Lens	2.1mm,2.5mm,2.8mm,3.6mm,4.0mm	
USB	Transfer system	USB 2.0 compliant	
	Video Coding	MJPEG	
	Video Resolution	640x480,704x480,800x600,960x540,1024x768 1280x720,1366x768, <b>1920x1080(default)</b>	
	Max. Frame Rate	30fps	
	Supported O/S	UVC Compatible O/S Windows 7.8.10 / Linux , Android etc	
	USB Cable	USB 2.0 Type A	
General	Input Power	DC5V via USB	
	Power consumption	Less than 1.1Watts ( 220mA@ DC5V)	
	Operating Conditions	- 20°C ~ +50°C	
	Storage Conditions	- 30°C ~ +60°C	