



CAMERA LINK MACHINE VISION CABLES

PART NUMBER REFERENCE



Select Connector Type: End "1"

MDR Male Straight Exit = 1	MDR Male Exit <i>LEFT</i> w/Recessed Screws = 11
MDR Female Straight Exit = 2	HDR / SDR Female Straight Exit = 12
MDR Male Low Profile R/A Exit <i>UP</i> = 3	MDR Male R/A <i>UP</i> 135° Exit <i>LEFT</i> = 13
MDR Male Low Profile R/A Exit <i>DWN</i> = 4	MDR Male R/A <i>DWN</i> 135° Exit <i>LEFT</i> = 14
HDR / SDR Male Straight Exit = 5	14P HDR / SDR PoCL Lite Straight Exit w/Recessed Screws = 15
HDR / SDR Male R/A Exit <i>UP</i> w/Recessed Screws = 6	MDR Latch Type Straight Exit = 16
HDR / SDR Male R/A Exit <i>DOWN</i> w/Recessed Screws = 7	HDR / SDR Male Exit <i>RIGHT</i> w/Recessed Screws = 17
MDR Male Ext. Profile R/A Exit <i>UP</i> = 8	HDR / SDR Male Exit <i>LEFT</i> w/Recessed Screws = 18
MDR Male Ext. Profile R/A Exit <i>DWN</i> = 9	HDR / SDR Male R/A <i>UP</i> Ext. Profile w/Recessed Screws = 19
MDR Male Exit <i>RIGHT</i> w/Recessed Screws = 10	HDR / SDR Male R/A <i>DWN</i> Ext. Profile w/Recessed Screws = 20

Cable Type Options:

HIFLEX (Robotic / C-Track) = 1	30 AWG (Robotic / C-Track) = 3	PoCL Lite = 5
HIFLEX PoCL (Robotic / C-Track) = 2	30 AWG PoCL (Robotic / C-Track) = 4	

Select Connector Type: End "2"

MDR Male Straight Exit = 1	MDR Male Exit <i>LEFT</i> w/Recessed Screws = 11
MDR Female Straight Exit = 2	HDR / SDR Female Straight Exit = 12
MDR Male Low Profile R/A Exit <i>UP</i> = 3	MDR Male R/A <i>UP</i> 135° Exit <i>LEFT</i> = 13
MDR Male Low Profile R/A Exit <i>DWN</i> = 4	MDR Male R/A <i>DWN</i> 135° Exit <i>LEFT</i> = 14
HDR / SDR Male Straight Exit = 5	14P HDR / SDR PoCL Lite Straight Exit w/Recessed Screws = 15
HDR / SDR Male R/A Exit <i>UP</i> w/Recessed Screws = 6	MDR Latch Type Straight Exit = 16
HDR / SDR Male R/A Exit <i>DOWN</i> w/Recessed Screws = 7	HDR / SDR Male Exit <i>RIGHT</i> w/Recessed Screws = 17
MDR Male Ext. Profile R/A Exit <i>UP</i> = 8	HDR / SDR Male Exit <i>LEFT</i> w/Recessed Screws = 18
MDR Male Ext. Profile R/A Exit <i>DWN</i> = 9	HDR / SDR Male R/A <i>UP</i> Ext. Profile w/Recessed Screws = 19
MDR Male Exit <i>RIGHT</i> w/Recessed Screws = 10	HDR / SDR Male R/A <i>DWN</i> Ext. Profile w/Recessed Screws = 20

Option: Length in Meters

Physical:

Cable Color:	Black
Shell Color:	Black
Shell Construction:	Pre-molded in Polyethelene, fully shielded and over-molded in black PVC.
Cable Construction:	Meets Automated Imaging Association Camera Link Standard. Skew-within pair; 35 ps/m max Skew-channel skew per chipset; 50 ps/m max. All cables are Camera Link approved.

Temp: 8-14-19

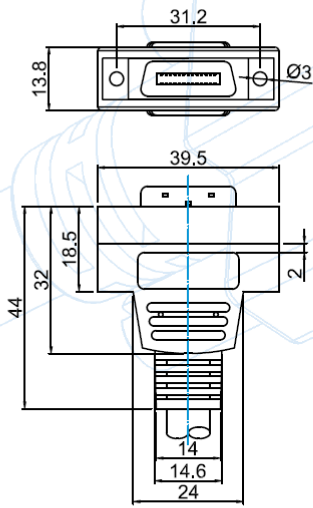
CONNECTOR TYPE OPTIONS:

<p>1</p>  <p>MDR Male Straight Exit</p>	<p>2</p>  <p>MDR Female Straight Exit w/Removable Hardware</p>	<p>3</p>  <p>MDR Male Low Profile R/A UP</p>	<p>4</p>  <p>MDR Male Low Profile R/A DOWN</p>	<p>5</p>  <p>HDR / SDR Male Straight Exit</p>
<p>6</p>  <p>HDR / SDR Male R/A Exit UP w/Recessed Screws</p>	<p>7</p>  <p>HDR / SDR Male R/A Exit DOWN w/Recessed Screws</p>	<p>8</p>  <p>MDR Male Ext. Profile R/A Exit UP</p>	<p>9</p>  <p>MDR Male Ext. Profile R/A Exit DOWN</p>	
<p>10</p>  <p>MDR Male Exit RIGHT w/Recessed Screws</p>	<p>11</p>  <p>MDR Male Exit LEFT w/Recessed Screws</p>	<p>12*</p>  <p>HDR / SDR Female Straight Exit</p>	<p>13</p>  <p>MDR Male R/A UP 135° Exit LEFT</p>	
<p>14</p>  <p>MDR Male R/A DOWN 135° Exit LEFT</p>	<p>15**</p>  <p>14P HDR / SDR PoCL Lite Straight Exit w/Recessed Screws</p>	<p>16*</p>  <p>MDR Latch Type Straight Exit Diecast</p>		
<p>17</p>  <p>HDR / SDR Male Exit RIGHT w/Recessed Screws</p>	<p>18</p>  <p>HDR / SDR Male Exit LEFT w/Recessed Screws</p>	<p>19</p>  <p>HDR / SDR Male R/A UP Ext. Profile w/Recessed Screws</p>	<p>20</p>  <p>HDR / SDR Male R/A DOWN Ext. Profile w/Recessed Screws</p>	

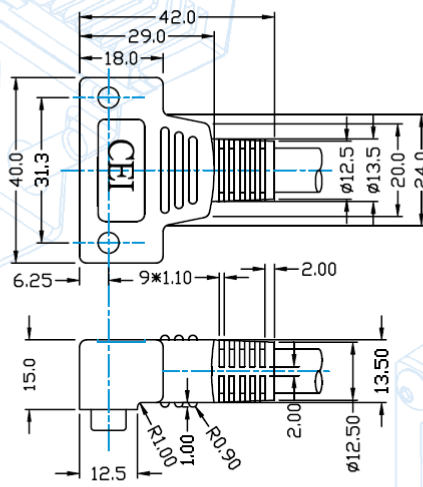
* Connector #12 & 16 are ONLY compatible with cable types 3 & 4.
 ** Cable type 5 is ONLY compatible with connector #15.

See pages 4 – 5 for profile drawings.

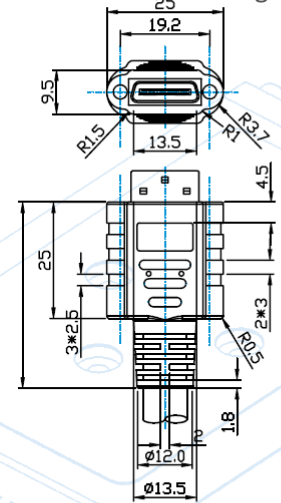
Temp:
8-14-19



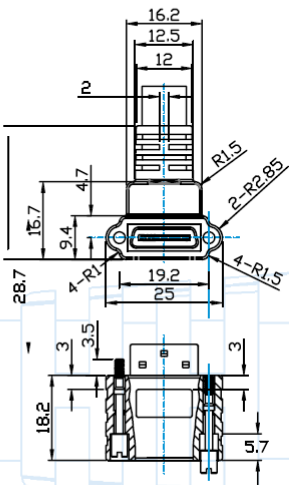
PROFILES 1 & 2



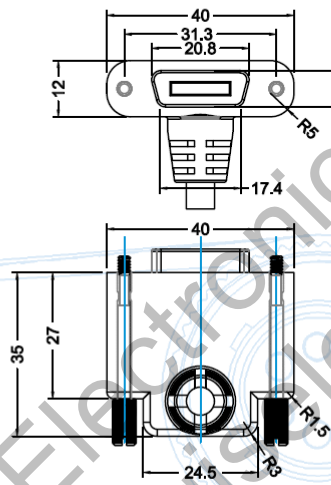
PROFILES 3 & 4



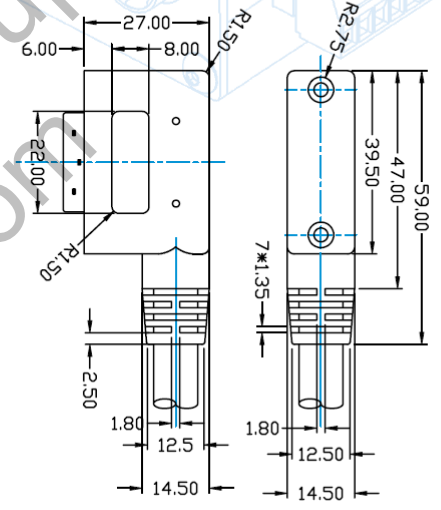
PROFILE 5



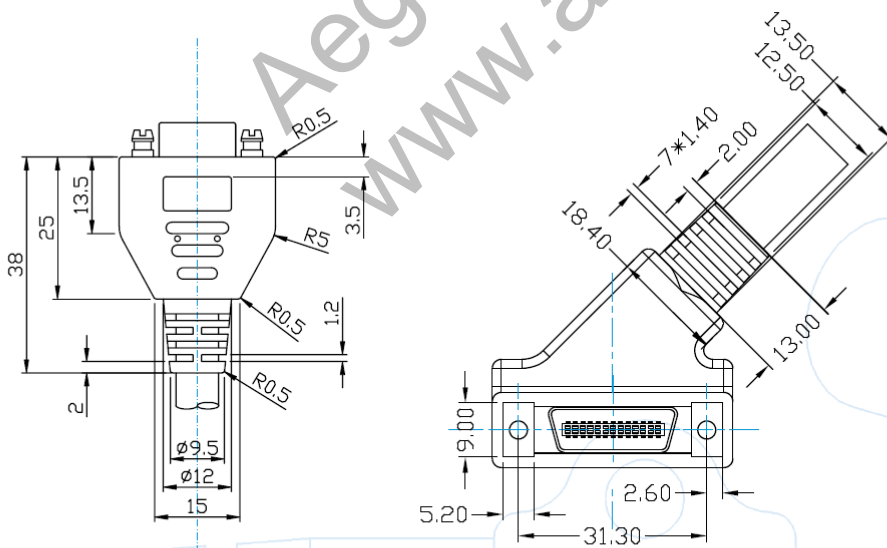
PROFILES 6 & 7



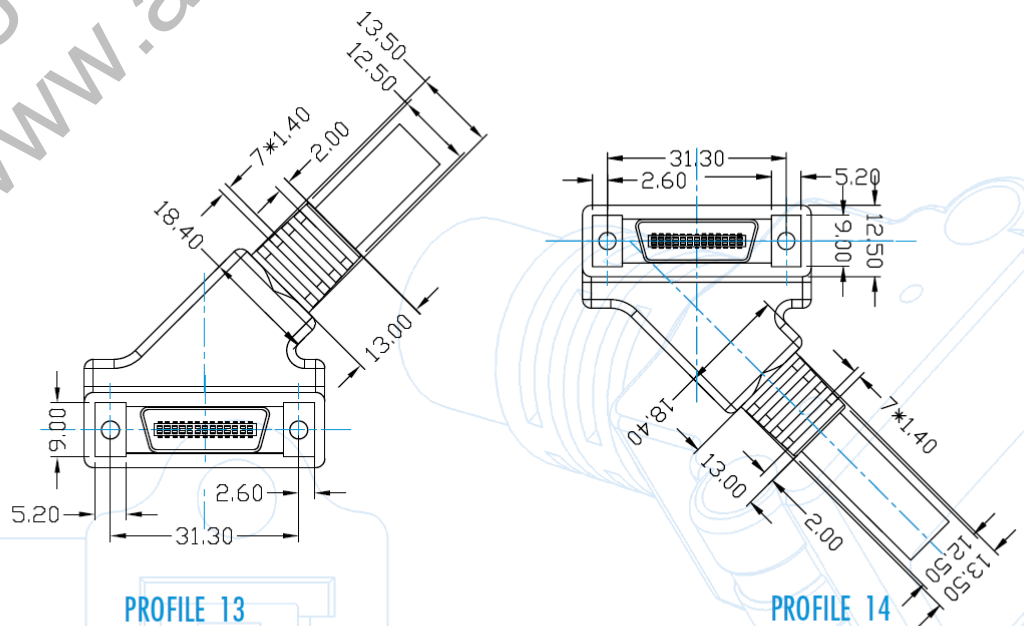
PROFILES 8 & 9



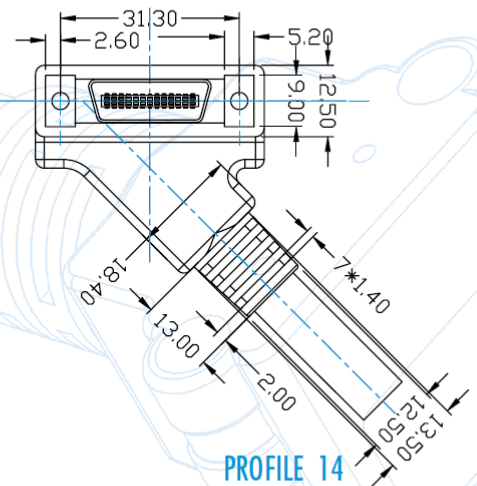
PROFILES 10 & 11



PROFILE 12

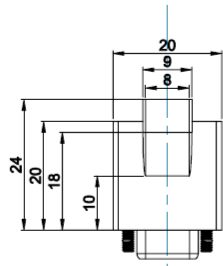


PROFILE 13

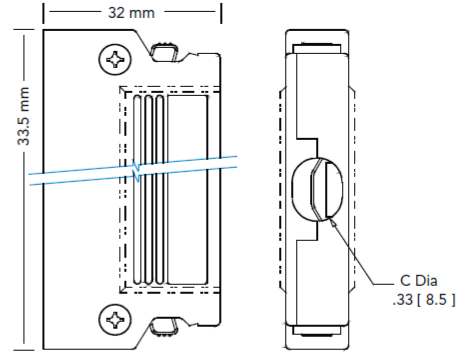
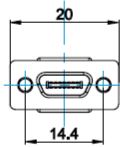


PROFILE 14

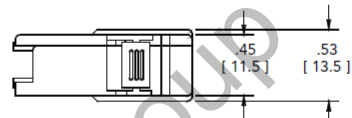
Temp: 8-14-19



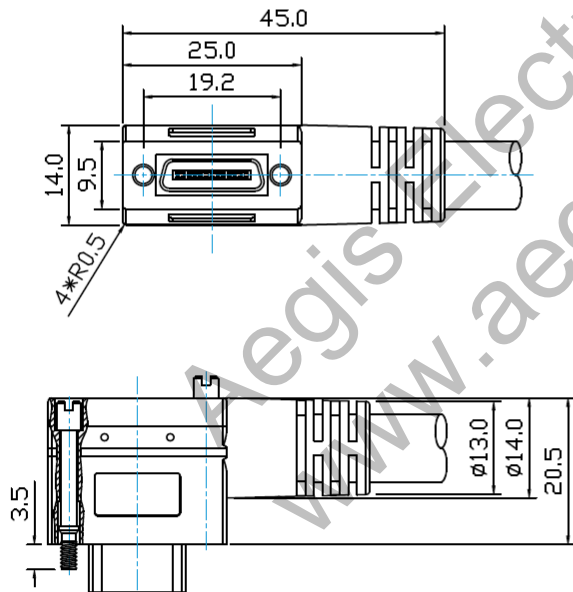
PROFILE 15



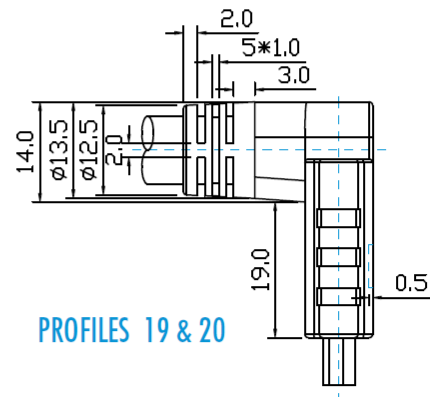
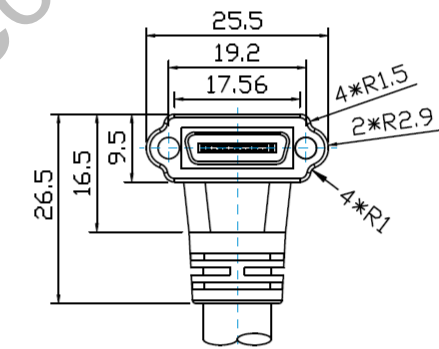
PROFILE 16



Assembled Junction Shell



PROFILES 17 & 18



PROFILES 19 & 20

Temp: 8-14-19

MVC-Cable Type #: 1

Please Note that Cable Type #: 2 (pg. 2) may be substituted for Cable Type #: 1, For non-PoCL assemblies.

SPECIFICATION: (1P*28#+AL)*11C+4D+ FEP tape + Free-edge-AL-MYLAR +B		CONSTRUCTION	D.W.G
ITEM	SPECIFICATION	<p>COLOUR CODE:</p> <p>(1P-AL)*11C: 1. white^wwhite black 2. white^wwhite/red 3. white^wwhite/green 4. white^wwhite/blue 5. white^wwhite/purple 6. white^wwhite/gray 7. white^wwhite/yellow 8. white^wwhite/orange 9. white^wwhite/brown 10. white^wblue^bwhite green 11. white^wblack^bwhite red</p>	
CONDUCTOR	28AWG TINNED COPPER		
INSULATION	19/0.08±0.008 mm 0.25 mm FM-PE+SKIN		
Face Outside AL.Mylar	1.02±0.05 mm 100% 25% MIN (1P+AL)*11C		
DRAIN	28AWG TINNED COPPER		
FEP tape	19/0.08±0.008 mm*4PCS 100%		
Free-edge-AL-MYLAR	25% MIN 100% 25% MIN		
DRAIN	/		
BRAID COPPER	TINNED COPPER 24*10/0.12±0.008 mm 90% MIN		
JACKET	0.51 mm HALF MATT PVC UL813 9.50 ± 0.20 mm		
ELECTRICAL CHARACTERISTICS 1. Rating: TEMP: 80°C; VOLTAGE: 30V 2. Conductor Resistance: at 20°C MAX 28AWG: 237.25Ω/km; 3. Insulation Resistance: 100MΩ-km min. at 20°C 4. Dielectric Strength: AC 500V/1 minute no breakdown. 5. Impedance: 100±10Ω 6. Time Delay Skew: within a pair(max) 50ps/M; 7. Delay Max 5.20ns/m		PHYSICAL PROPERTIES OF JACKET 1. Tensile Strength: Unaged: 1500PSI min Aged: 70% min 2. Elongation: Unaged: 100% min Aged: 65% 3. Heat shock test: NO CRACKING 4. Cold bend test: NO CRACKING 5. Deformation test: MAX 50% 6. Flame test: PASS VW-1	
MINIMUM BEND RADIUS: 10X O.D.		<p>COMPONENTS EXPRESS, INC. 10330 Argonne Woods Drive, Ste 100 Woodridge, IL 60517</p>	
机(機)器人 / 拖链		2065940066 (E0755-1) 8/8/19	
APPROVED		CUSTOMER	
CHECKED		REV A	
DRAWING CHJ		DATE 16/11/03	
		CC-EW-206A	

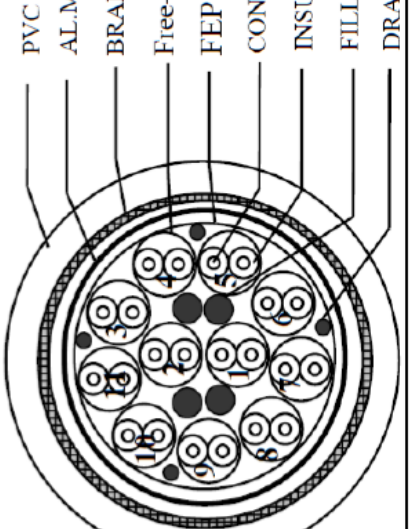

MVC-Cable Type #: 2

Please Note that Cable Type #: 2 (pg. 2) may be substituted for Cable Type #: 1, For non-PoCL assemblies.


SPECIFICATION: (1P*28#+AL)*11C+2C*24#+2D+ FEP tape + Free-edge-AL-MYLAR +B		CONSTRUCTION D.W.G	
ITEM	SPECIFICATION		
CONDUCTOR	28AWG TINNED COPPER 19/0.08±0.008 mm MIN.AVG.THICK 0.25 mm		
INSULATION	FM-PE+SKIN 1.02±0.05 mm 100% 25% MIN (1P+AL)*11C		
Face Outside AL-Mylar	2C		
DRAIN	24AWG TINNED COPPER 19/0.127±0.008 mmx2PCS 100% 25% MIN 100% 25% MIN		
FEP tape	Free-edge-AL-MYLAR		
BRAID	2C*24#+12.red 13.black		
COPPER	MIN.AVG.THICK 0.51 mm		
JACKET	HALF MATT PVC -20°C ~80°C UL813 9.50 ± 0.20 mm		
ELECTRICAL CHARACTERISTICS 1. Rating: TEMP 80°C ; VOLTAGE 30V 2. Conductor Resistance: at 20°C MAX 28AWG: 237.25Ω/km; 24AWG: 93.25Ω/km 3. Insulation Resistance: 28AWG 100MΩ-km min at 20°C 24AWG 10MΩ-km min at 20°C 4. Dielectric Strength: AC 500V/1 minute no breakdown. 5. Impedance: 100±10Ω 6. Time Delay Skew: within a pair(max) 50ps/M; 7. Delay Max 5.20ns/m		COLOUR CODE: 1. white*white/black 2. white*white/red 3. white*white/green 4. white*white/blue 5. white*white/purple 6. white*white/gray 7. white*white/yellow 8. white*white/orange 9. white*white/brown 10. white/blue*white/green 11. white/black*white/red 12. red 13. black	
PHYSICAL PROPERTIES OF JACKET 1. Tensile Strength: Unaged: 1500PSI min Aged: 70% min 2. Elongation: Unaged: 100% min Aged: 65% 3. Heat shock test: NO CRACKING 4. Cold bend test: NO CRACKING 5. Deformation test: MAX 50% 6. Flame test: PASS VW-1		机(機)器人 / 拖链 MINIMUM BEND RADIUS: 10X O.D.	
COMPONENTS EXPRESS, INC. 10330 Argonne Woods Drive, Ste 100 Woodridge, IL 60517		206594006900 8/8/19	
APPROVED		CUSTOMER	
CHECKED		REV A	
DRAWING CHJ		DATE 16/11/03	

CC-EW-206A


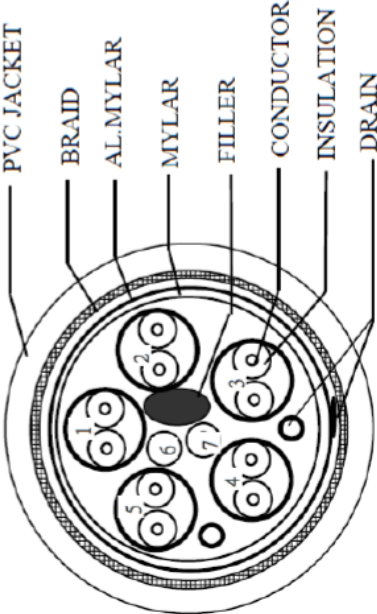
MVC-Cable Type #: 3

SPECIFICATION: (1P*30#+AL)*11C+4D+ FEP tape + Free-edge-AL-MYLAR +B		CONSTRUCTION D.W.G
ITEM	SPECIFICATION	 <p>PVC JACKET AL.MYLAR BRAID Free-edge-AL-MYLAR FEP tape CONDUCTOR INSULATION FILLER DRAIN</p>
CONDUCTOR	30AWG TINNED COPPER 19/0.06±0.008 mm	
INSULATION	0.25 mm FM-PE+SKIN 0.79±0.05 mm	
Face Outside AL.Mylar	100% 25% MIN (1P+AL)*11C	
DRAIN	28AWG TINNED COPPER	
FEP tape	19/0.08±0.008 mm*4PCS 100%	
Free-edge-AL-MYLAR	25% MIN 100% 25% MIN	
DRAIN	/	
BRAID COPPER	/	
JACKET	TINNED COPPER 16*11/0.12±0.008 mm 0.51 mm MATT PVC UL815 8.00 ± 0.30 mm	
ELECTRICAL CHARACTERISTICS		 <p>COMPONENTS EXPRESS, INC. 10330 Argonne Woods Drive, Ste100 Woodridge, IL 60517</p>
1. Conductor Resistance: at 20°C MAX 30AWG: 376.96Ω km;		
2. Insulation Resistance: 10MΩ-km min at 20°C dc 500V (EIA-364-21)		
3. Dielectric Strength: AC 500V/1 minute no breakdown. (EIA-364-20)		
4. Impedance: 100±10Ω		
PHYSICAL PROPERTIES OF JACKET		
1. Tensile Strength: Unaged: 1500PSI min Aged: 70% min		
2. Elongation: Unaged: 100% min Aged: 65%		
3. Heat shock test: NO CRACKING		
4. Cold bend test: NO CRACKING		
5. Deformation test: MAX 50%		
6. Flame test: PASS VW-1		
		<p>机(機)器人 / 拖链</p> <p>MINIMUM BEND RADIUS: 10X O.D.</p>
		<p>96599030004 8/8/19</p>
APPROVED		CUSTOMER
CHECKED		REV A
DRAWING	CWJ	DATE 16.12.10 CC-EW-206A

MVC-Cable Type #: 4

SPECIFICATION: (IP*30#+AL)*11C+2C*28#+2D+ FEP tape +M +AL+B		CONSTRUCTION D.W.G	
ITEM	SPECIFICATION		
CONDUCTOR	30AWG TINNED COPPER	28AWG TINNED COPPER	PVC JACKET
INSULATION	19/0.06± 0.008 mm 0.20 mm FM-PE+SKIN	19/0.08± 0.008 mm 0.10 mm SR-PVC	FEP tape
Face Outside AL.Mylar	0.78± 0.05 mm 100% 25% MIN (IP+AL)*11C	0.65± 0.05 mm 20	BRAID
DRAIN	28AWG TINNED COPPER		AL.MYLAR
FEP tape	100% 25% MIN (IP+AL)*11C		MYLAR
Mylar	100% 25% MIN		CONDUCTOR
Face Outside AL.Mylar	100% 25% MIN		INSULATION
DRAIN	/		FILLER
BRAID COPPER	TINNED COPPER 16*11/0.12± 0.008 mm		DRAIN
JACKET	0.51 mm MATT PVC UL813 BLACK 7.60 ± 0.20 mm		COLOUR CODE:
ELECTRICAL CHARACTERISTICS		COLOUR CODE:	
1. Conductor Resistance: at 20°C MAX 30AWG: 376.96Ω/km; 28AWG: 237.25Ω/km; 2. Insulation Resistance: 30AWG 100MΩ·km min at 20°C dc 500V 28AWG 10MΩ·km min at 20°C dc 500 3. Dielectric Strength: AC 500V/1minute no breakdown. 4. Impedance: 100±10Ω 5. Time Delay Skew: within a pair(max) 50ps/M;		(IP+AL)*11C: 1. white*white/black 2. white*white/red 3. white*white/green 4. white*white/blue 5. white*white/purple 6. white*white/gray 7. white*white/yellow 8. white*white/orange 9. white*white/brown 10. white blue*white/green 11. white/black*white/red 2C*28#: 12.black 13.red	
PHYSICAL PROPERTIES OF JACKET		机(機)器人 / 拖链	
1. Tensile Strength: Unaged: 1500PSI min Aged: 70% min 2. Elongation: Unaged: 100% min Aged: 65% 3. Heat shock test: NO CRACKING 4. Cold bend test: NO CRACKING 5. Deformation test: MAX 50% 6. Flame test: PASS VW-1		MINIMUM BEND RADIUS: 10X O.D.	
1. Conductor Resistance: at 20°C MAX 30AWG: 376.96Ω/km; 28AWG: 237.25Ω/km; 2. Insulation Resistance: 30AWG 100MΩ·km min at 20°C dc 500V 28AWG 10MΩ·km min at 20°C dc 500 3. Dielectric Strength: AC 500V/1minute no breakdown. 4. Impedance: 100±10Ω 5. Time Delay Skew: within a pair(max) 50ps/M;		 <p>COMPONENTS EXPRESS, INC. 10330 Argonne Woods Drive, Ste100 Woodridge, IL 60517</p>	
1. Tensile Strength: Unaged: 1500PSI min Aged: 70% min 2. Elongation: Unaged: 100% min Aged: 65% 3. Heat shock test: NO CRACKING 4. Cold bend test: NO CRACKING 5. Deformation test: MAX 50% 6. Flame test: PASS VW-1		96599261002 8/8/19	
1. Tensile Strength: Unaged: 1500PSI min Aged: 70% min 2. Elongation: Unaged: 100% min Aged: 65% 3. Heat shock test: NO CRACKING 4. Cold bend test: NO CRACKING 5. Deformation test: MAX 50% 6. Flame test: PASS VW-1		APPROVED	CUSTOMER
1. Tensile Strength: Unaged: 1500PSI min Aged: 70% min 2. Elongation: Unaged: 100% min Aged: 65% 3. Heat shock test: NO CRACKING 4. Cold bend test: NO CRACKING 5. Deformation test: MAX 50% 6. Flame test: PASS VW-1		CHECKED	REV
1. Tensile Strength: Unaged: 1500PSI min Aged: 70% min 2. Elongation: Unaged: 100% min Aged: 65% 3. Heat shock test: NO CRACKING 4. Cold bend test: NO CRACKING 5. Deformation test: MAX 50% 6. Flame test: PASS VW-1		DRAWING	DATE
1. Tensile Strength: Unaged: 1500PSI min Aged: 70% min 2. Elongation: Unaged: 100% min Aged: 65% 3. Heat shock test: NO CRACKING 4. Cold bend test: NO CRACKING 5. Deformation test: MAX 50% 6. Flame test: PASS VW-1		CWJ	2017.02.15

MVC-Cable Type #: 5

SPECIFICATION:		(1P*30# +AL)*5C+2C*30# +2D+M+AL+B	
ITEM	SPECIFICATION		
CONDUCTOR	30AWG TINNED COPPER	30AWG TINNED COPPER	
COND.SIZE	7/0.10±0.008 mm	7/0.10±0.008 mm	
MIN.AVG.THICK	0.18 mm	0.10 mm	
MATERIAL	FM-PE+SKIN	SR-PVC	
O . D	0.72±0.06 mm	0.60±0.05 mm	
N.O.	1P*5C	2C	
AWG	/	/	
MATERIAL	/	/	
SIZE	/	/	
COVERAGE	100%	/	
OVERLAP	25%MIN	/	
COVERAGE	/	/	
OVERLAP	/	/	
MATERIAL	TINNED COPPER	TINNED COPPER	
SIZE	7/0.127±0.008 mm*2PCS	7PICH .90%MIN	
COVERAGE	100%		
OVERLAP	25%MIN		
COVERAGE	100%		
OVERLAP	25%MIN		
MATERIAL	TINNED COPPER	TINNED COPPER	
SIZE	16*10/0.10±0.008 mm	7PICH .90%MIN	
MIN.AVG.THICK	0.51 mm		
MATERIAL	MATT PVC		
COLOUR	UL813 BLACK		
O . D	5.50±0.20 mm		
ELECTRICAL CHARACTERISTICS	PHYSICAL PROPERTIES OF JACKET		
	1. Tensile Strength: Unaged: 1500PSI min Aged: 70% min 2. Elongation: Unaged: 100% min Aged: 65% 3. Heat shock test: NO CRACKING 4. Cold bend test: NO CRACKING 5. Deformation test: MAX 50% 6. Flame test: PASS VW-1		
1. Rating: TEMP : 80C : VOLTAGE: 30V 2. Conductor Resistance: at 20C MAX 30AWG: 376.96Ω km 3. Insulation Resistance: 30# SR 100MΩ-km min at 20C dc 500V (EIA-364-21) 30# FM-PE-SKIN 100MΩ-km min at 20C dc 500V (EIA-364-21) 4. Dielectric Strength: AC 300V/Innate no breakdown. (EIA-364-20) 5. Impedance: Pairs (differential mode) 100±10Ω 6. Delay Skew: 50ps/in			
JACKET			
 <p>COMPONENTS EXPRESS, INC. 10330 Argonne Woods Drive, Ste 100 Woodridge, IL 60517</p>			
<p>MINIMUM BEND RADIUS: 10X O.D.</p>			
<p>CONSTRUCTION D.W.G</p>  <p>COLOUR CODE: 5P*30AWG: 1. WHITE*WHITE/BLACK 2. WHITE*WHITE/RED 3. WHITE*WHITE/GREEN 4. WHITE*WHITE/BLUE 5. WHITE*WHITE/PURPLE 2C*30AWG: 6.BLACK 7.RED</p>			
APPROVED		CUSTOMER	
CHECKED		REV	A
DRAWING	CHJ	DATE	2017.02.16