



CAMERA LINK MACHINE VISION CABLES

PART NUMBER REFERENCE



Select Connector Type: End "1"

- | | |
|---|---|
| MDR Male Straight Exit = 1 | MDR Male Exit LEFT w/Recessed Screws = 11 |
| MDR Female Straight Exit = 2 | HDR / SDR Female Straight Exit = 12 |
| MDR Male Low Profile R/A Exit UP = 3 | MDR Male R/A UP 135° Exit LEFT = 13 |
| MDR Male Low Profile R/A Exit DWN = 4 | MDR Male R/A DWN 135° Exit LEFT = 14 |
| HDR / SDR Male Straight Exit = 5 | 14P HDR / SDR PoCL Lite Straight Exit w/Recessed Screws = 15 |
| HDR / SDR Male R/A Exit UP w/Recessed Screws = 6 | MDR Latch Type Straight Exit = 16 |
| HDR / SDR Male R/A Exit DOWN w/Recessed Screws = 7 | HDR / SDR Male Exit RIGHT w/Recessed Screws = 17 |
| MDR Male Ext. Profile R/A Exit UP = 8 | HDR / SDR Male Exit LEFT w/Recessed Screws = 18 |
| MDR Male Ext. Profile R/A Exit DWN = 9 | HDR / SDR Male R/A UP Ext. Profile w/Recessed Screws = 19 |
| MDR Male Exit RIGHT w/Recessed Screws = 10 | HDR / SDR Male R/A DWN Ext. Profile w/Recessed Screws = 20 |

Cable Type Options:

- | | | |
|-------------------------------------|-------------------------------------|---------------|
| HIFLEX (Robotic / C-Track) = 1 | 30 AWG (Robotic / C-Track) = 3 | PoCL Lite = 5 |
| HIFLEX PoCL (Robotic / C-Track) = 2 | 30 AWG PoCL (Robotic / C-Track) = 4 | |

Select Connector Type: End "2"

- | | |
|---|---|
| MDR Male Straight Exit = 1 | MDR Male Exit LEFT w/Recessed Screws = 11 |
| MDR Female Straight Exit = 2 | HDR / SDR Female Straight Exit = 12 |
| MDR Male Low Profile R/A Exit UP = 3 | MDR Male R/A UP 135° Exit LEFT = 13 |
| MDR Male Low Profile R/A Exit DWN = 4 | MDR Male R/A DWN 135° Exit LEFT = 14 |
| HDR / SDR Male Straight Exit = 5 | 14P HDR / SDR PoCL Lite Straight Exit w/Recessed Screws = 15 |
| HDR / SDR Male R/A Exit UP w/Recessed Screws = 6 | MDR Latch Type Straight Exit = 16 |
| HDR / SDR Male R/A Exit DOWN w/Recessed Screws = 7 | HDR / SDR Male Exit RIGHT w/Recessed Screws = 17 |
| MDR Male Ext. Profile R/A Exit UP = 8 | HDR / SDR Male Exit LEFT w/Recessed Screws = 18 |
| MDR Male Ext. Profile R/A Exit DWN = 9 | HDR / SDR Male R/A UP Ext. Profile w/Recessed Screws = 19 |
| MDR Male Exit RIGHT w/Recessed Screws = 10 | HDR / SDR Male R/A DWN Ext. Profile w/Recessed Screws = 20 |

Option: Length in Meters

Physical:

- | | |
|---------------------|--|
| Cable Color: | Black |
| Shell Color: | Black |
| Shell Construction: | Pre-molded in Polyethelene, fully shielded and over-molded in black PVC. |
| Cable Construction: | Meets Automated Imaging Association Camera Link Standard. Skew-within pair: 35 ps/m max Skew-channel skew per chipset: 50 ps/m max. All cables are Camera Link approved. |

Temp: 8-14-19

CONNECTOR TYPE OPTIONS:



MDR Male
Straight Exit



MDR Female
Straight Exit
w/Removable Hardware



MDR Male Low Profile
R/A UP



MDR Male Low Profile
R/A DOWN



HDR / SDR Male
Straight Exit



HDR / SDR Male R/A
Exit UP
w/Recessed Screws



HDR / SDR Male R/A
Exit DOWN
w/Recessed Screws



MDR Male Ext. Profile
R/A Exit UP



MDR Male Ext. Profile
R/A Exit DOWN



MDR Male
Exit RIGHT
w/Recessed Screws



MDR Male
Exit LEFT
w/Recessed Screws



HDR / SDR Female
Straight Exit



MDR Male R/A UP 135°
Exit LEFT



MDR Male R/A DOWN 135°
Exit LEFT



14P HDR / SDR PoCL Lite
Straight Exit
w/Recessed Screws



MDR Latch Type
Straight Exit
Diecast



HDR / SDR Male
Exit RIGHT
w/Recessed Screws



HDR / SDR Male
Exit LEFT
w/Recessed Screws



HDR / SDR Male R/A UP
Ext. Profile
w/Recessed Screws



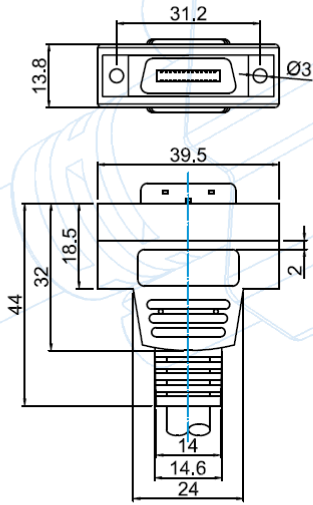
HDR / SDR Male R/A DOWN
Ext. Profile
w/Recessed Screws

* Connector #12 & 16 are ONLY compatible with cable types 3 & 4.

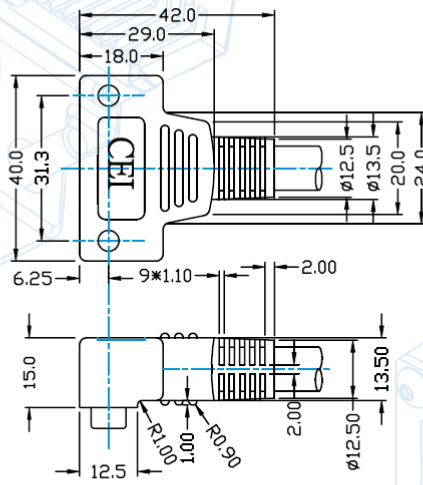
** Cable type 5 is ONLY compatible with connector #15.

See pages 4 – 5 for profile drawings.

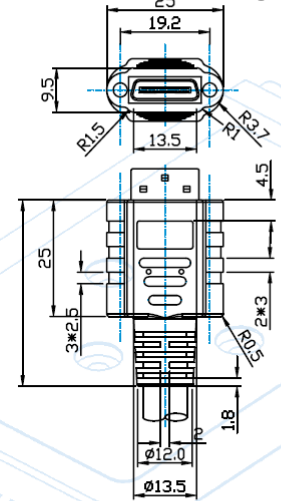
Temp:
8-14-19



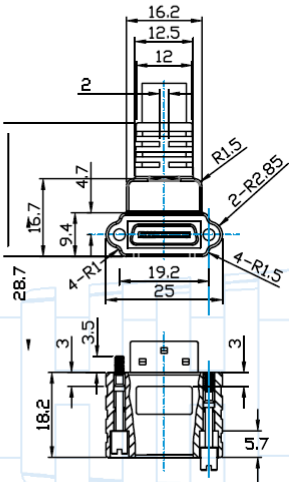
PROFILES 1 & 2



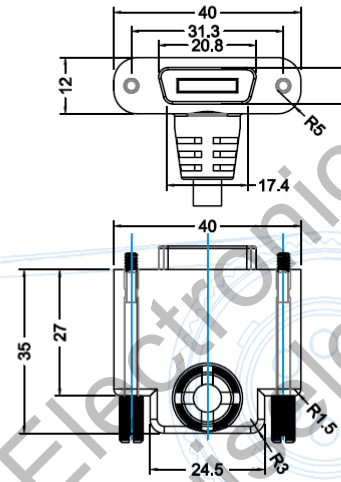
PROFILES 3 & 4



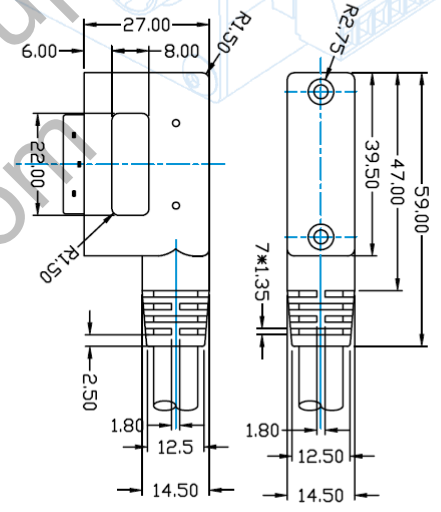
PROFILE 5



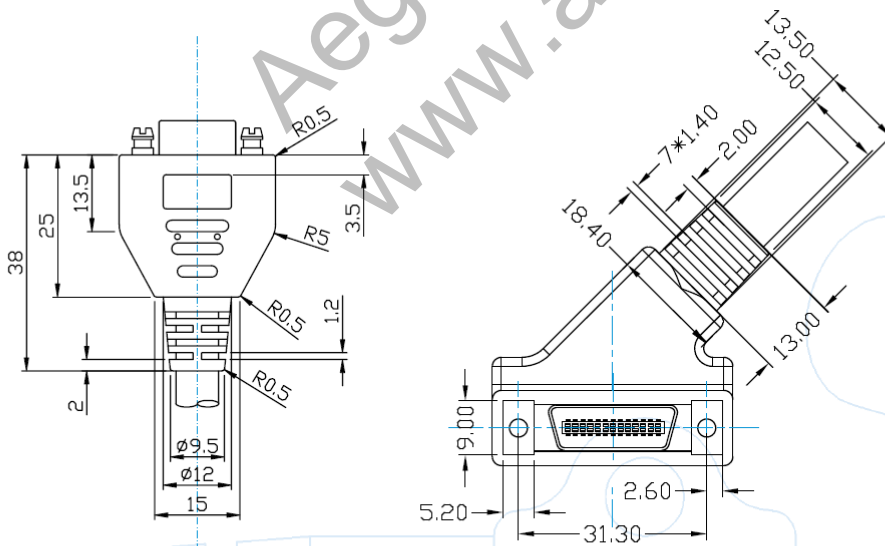
PROFILES 6 & 7



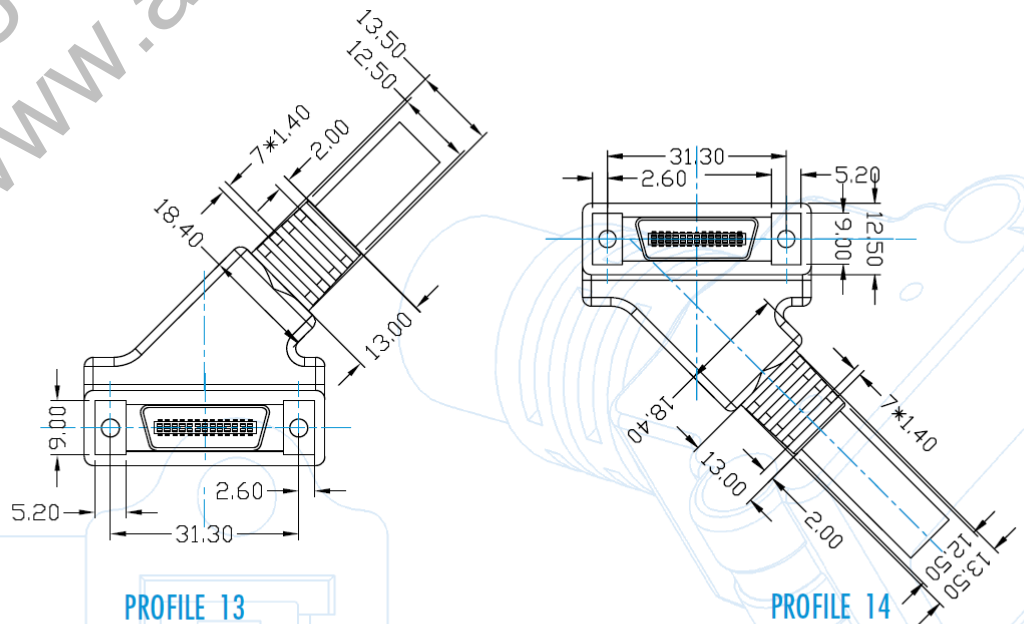
PROFILES 8 & 9



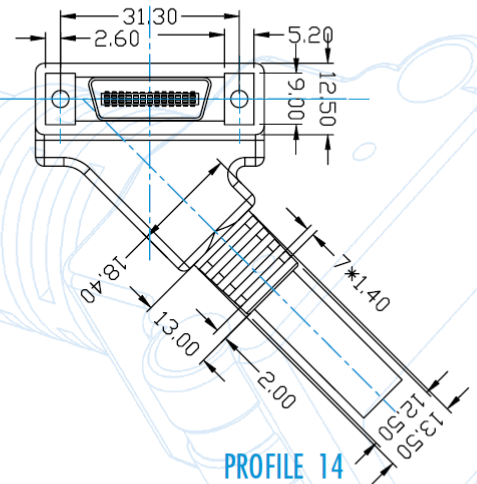
PROFILES 10 & 11



PROFILE 12

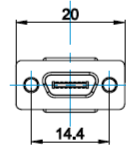
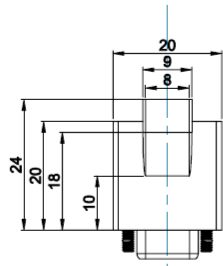


PROFILE 13

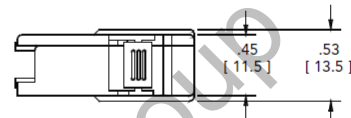
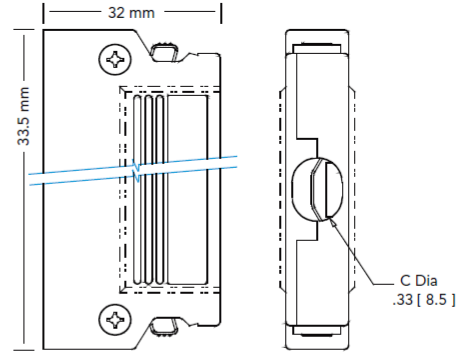


PROFILE 14

Temp: 8-14-19

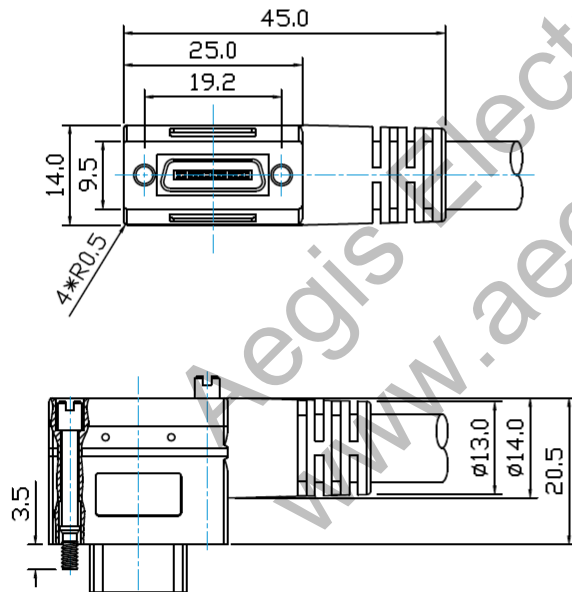


PROFILE 15

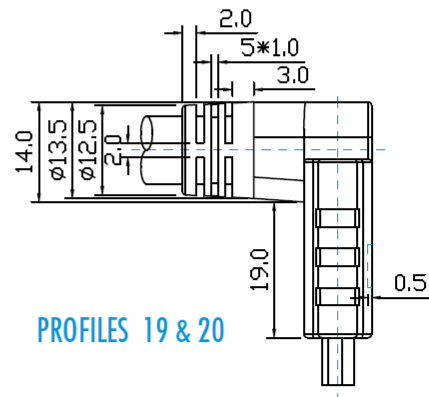
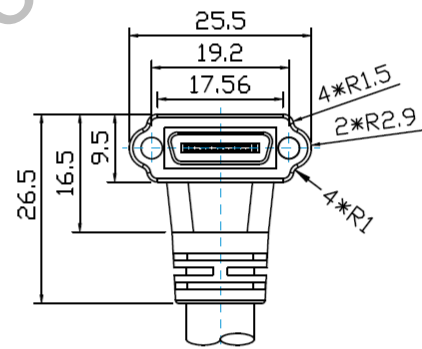


Assembled Junction Shell

PROFILE 16



PROFILES 17 & 18



PROFILES 19 & 20

Temp: 8-14-19

MVC-Cable Type #: 1

Please Note that Cable Type #: 2 (pg. 2) may be substituted for Cable Type #: 1, For non-PoCL assemblies.

SPECIFICATION: (1P*28#+AL)*11C+4D+ FEP tape + Free-edge-AL-MYLAR +B		CONSTRUCTION	D.W.G
ITEM	SPECIFICATION		
CONDUCTOR	28AWG TINNED COPPER		
INSULATION	19/0.08±0.008 mm 0.25 mm FM-PE+SKIN		
Face Outside AL.Mylar	1.02±0.05 mm 100% 25% MIN (1P+AL)*11C		
DRAIN	28AWG TINNED COPPER		
FEP tape	19/0.08±0.008 mm*4PCS 100%		
Free-edge-AL-MYLAR	25% MIN 100% 25% MIN		
DRAIN	/		
BRAID	/		
COPPER	TINNED COPPER		
JACKET	24*10/0.12±0.008 mm 90% MIN 0.51 mm HALF MATT PVC UL813 9.50 ± 0.20 mm	<p>COMPONENTS EXPRESS, INC. 10330 Argonne Woods Drive, Ste 100 Woodridge, IL 60517</p>	
ELECTRICAL CHARACTERISTICS 1. Rating: TEMP: 80°C; VOLTAGE: 30V 2. Conductor Resistance: at 20°C MAX 28AWG: 237.25Ω/km; 3. Insulation Resistance: 100MΩ-km min. at 20°C 4. Dielectric Strength: AC 500V/1 minute no breakdown. 5. Impedance: 100±10Ω 6. Time Delay Skew: within a pair(max) 50ps/M; 7. Delay Max 5.20ns/m		COLOUR CODE: (1P-AL)*11C: 1. white*white/black 2. white*white/red 3. white*white/green 4. white*white/blue 5. white*white/purple 6. white*white/gray 7. white*white/yellow 8. white*white/orange 9. white*white/brown 10. white/blue*white/green 11. white/black*white/red	
PHYSICAL PROPERTIES OF JACKET 1. Tensile Strength: Unaged: 1500PSI min Aged: 70% min 2. Elongation: Unaged: 100% min Aged: 65% 3. Heat shock test: NO CRACKING 4. Cold bend test: NO CRACKING 5. Deformation test: MAX 50% 6. Flame test: PASS VW-1		机(機)器人 / 拖链 MINIMUM BEND RADIUS: 10X O.D.	
		APPROVED CHECKED DRAWING	
		CUSTOMER REV DATE	
		2065940066 (E0755-1) 8/8/19 CC-EW-206A	

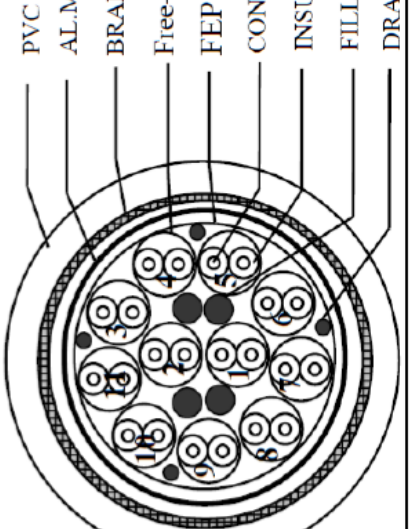

MVC-Cable Type #: 2

Please Note that Cable Type #: 2 (pg. 2) may be substituted for Cable Type #: 1, For non-PoCL assemblies.

SPECIFICATION: (1P*28#+AL)*11C+2C*24#+2D+ FEP tape + Free-edge-AL-MYLAR +B		CONSTRUCTION D.W.G	
ITEM	SPECIFICATION	D.W.G	
CONDUCTOR	28AWG TINNED COPPER	PVC JACKET	
	COND.SIZE 19/0.08±0.008 mm	BRAID	
	MIN.AVG.THICK 0.25 mm	Free-edge-AL-MYLAR	
INSULATION	MATERIAL FM-PE+SKIN	FEP tape	
	O . D 1.02±0.05 mm	CONDUCTOR	
	COVERAGE 100%	INSULATION	
Face Outside AL.Mylar	OVERLAP 25% MIN	FILLER	
	N.O. (1P+AL)*11C	DRAIN	
DRAIN	AWG 24AWG	COLOUR CODE:	
	MATERIAL TINNED COPPER	(1P+AL)*11C: 1.white*white/black 2.white*white/red 3.white*white/green	
	SIZE 19/0.127±0.008 mmx2PCS	4.white*white/blue 5.white*white/purple 6.white*white/gray	
FEP tape	COVERAGE 100%	7.white*white/yellow 8.white*white/orange 9.white*white/brown	
Free-edge-AL-MYLAR	OVERLAP 25% MIN	10.white/blue*white/green 11.white/black*white/red	
	AWG /	2C*24#+12.red 13.black	
DRAIN	MATERIAL /	机(機)器人 / 拖链	
	SIZE /	MINIMUM BEND RADIUS: 10X O.D.	
BRAID	MATERIAL /	COMMENTS	
COPPER	SIZE 24*10/0.12±0.008 mm 90% MIN	COMPONENTS EXPRESS, INC. 10330 Argonne Woods Drive, Ste100 Woodridge, IL 60517	
	MIN.AVG.THICK 0.51 mm	206594006900 8/8/19	
JACKET	MATERIAL HALF MATT PVC -20°C -80°C	APPROVED	
	COLOUR UL813	CHECKED	
	O . D 9.50 ± 0.20 mm	DRAWING	
		C/WJ	
		DATE	
		REV	
		CUSTOMER	
		A	
		16/11/03	
		CC-EW-206A	

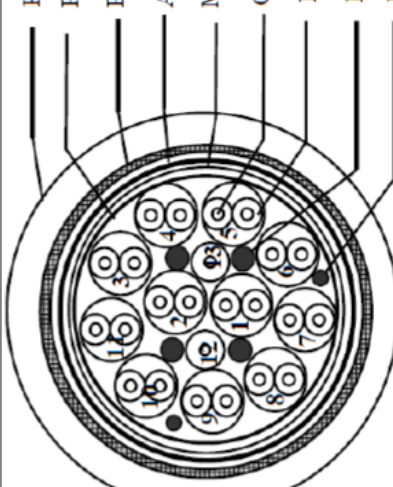
ELECTRICAL CHARACTERISTICS	PHYSICAL PROPERTIES OF JACKET
1. Rating: TEMP -80°C ; VOLTAGE 30V	1. Tensile Strength: Unaged: 1500PSI min Aged: 70% min
2. Conductor Resistance: at 20°C MAX 28AWG: 237.25Ω/km; 24AWG: 93.25Ω/km	2. Elongation: Unaged: 100% min Aged: 65%
3. Insulation Resistance: 28AWG 100MΩ-km min at 20°C 24AWG 10MΩ-km min at 20°C	3. Heat shock test: NO CRACKING
4. Dielectric Strength: AC 500V/1minute no breakdown.	4. Cold bend test: NO CRACKING
5. Impedance: 100±10Ω	5. Deformation test: MAX 50%
6. Time Delay Skew: within a pair(max) 50ps/M;	6. Flame test: PASS VW-1
7. Delay Max 5.20ns/m	

MVC-Cable Type #: 3

SPECIFICATION: (1P*30#+AL)*11C+4D+ FEP tape + Free-edge-AL-MYLAR +B		CONSTRUCTION D.W.G										
ITEM	SPECIFICATION	 <p>PVC JACKET AL.MYLAR BRAID Free-edge-AL-MYLAR FEP tape CONDUCTOR INSULATION FILLER DRAIN</p>										
CONDUCTOR	30AWG TINNED COPPER 19/0.06±0.008 mm											
INSULATION	0.25 mm FM-PE+SKIN 0.79±0.05 mm											
Face Outside AL.Mylar	100% 25% MIN (1P+AL)*11C											
DRAIN	28AWG TINNED COPPER											
FEP tape	19/0.08±0.008 mm*4PCS 100%											
Free-edge-AL-MYLAR	25% MIN 100% 25% MIN											
DRAIN	/											
BRAID COPPER	/											
JACKET	TINNED COPPER 16*11/0.12±0.008 mm 0.51 mm MATT PVC UL815 8.00 ± 0.30 mm											
ELECTRICAL CHARACTERISTICS		<p>COLOUR CODE: (1P+AL)*11C: 1. white*white/black 2. white*white/red 3. white*white/green 4. white*white/blue 5. white*white/purple 6. white*white/gray 7. white*white/yellow 8. white*white/orange 9. white*white/brown 10. white/blue*white/green 11. white/black*white/red</p> <p>机(機)器人 / 拖链</p> <p>MINIMUM BEND RADIUS: 10X O.D.</p> <p> COMPONENTS EXPRESS, INC. 10330 Argonne Woods Drive, Ste100 Woodridge, IL 60517</p> <p>96599030004 8/8/19</p> <table border="1"> <tr> <td>APPROVED</td> <td>CUSTOMER</td> </tr> <tr> <td>CHECKED</td> <td>REV</td> </tr> <tr> <td>DRAWING</td> <td>DATE</td> </tr> <tr> <td>CWJ</td> <td>16.12.10</td> </tr> <tr> <td></td> <td>CC-EW-206A</td> </tr> </table>	APPROVED	CUSTOMER	CHECKED	REV	DRAWING	DATE	CWJ	16.12.10		CC-EW-206A
APPROVED	CUSTOMER											
CHECKED	REV											
DRAWING	DATE											
CWJ	16.12.10											
	CC-EW-206A											
1. Conductor Resistance: at 20°C MAX 30AWG: 376.96Ω km;												
2. Insulation Resistance: 10MΩ-km min at 20°C dc 500V (EIA-364-21)												
3. Dielectric Strength: AC 500V/1 minute no breakdown. (EIA-364-20)												
4. Impedance: 100±10Ω												
PHYSICAL PROPERTIES OF JACKET												
1. Tensile Strength: Unaged: 1500PSI min Aged: 70% min												
2. Elongation: Unaged: 100% min Aged: 65%												
3. Heat shock test: NO CRACKING												
4. Cold bend test: NO CRACKING												
5. Deformation test: MAX 50%												
6. Flame test: PASS VW-1												


MVC-Cable Type #: 4

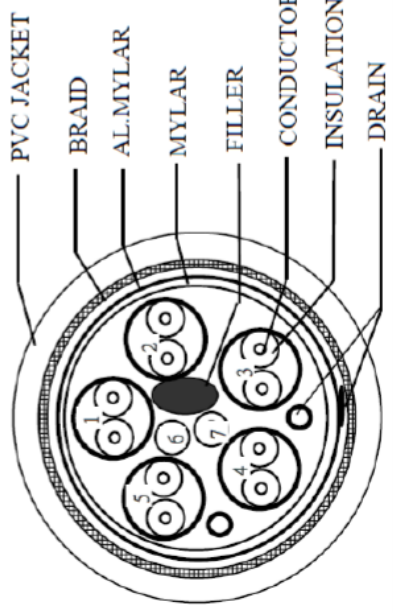
SPECIFICATION: (IP*30#+AL)*11C+2C*28#+2D+ FEP tape +M +AL+B		CONSTRUCTION D.W.G	
ITEM	SPECIFICATION		
CONDUCTOR	30AWG TINNED COPPER	28AWG TINNED COPPER	PVC JACKET
INSULATION	19/0.06± 0.008 mm 0.20 mm FM-PE+SKIN	19/0.08± 0.008 mm 0.10 mm SR-PVC	FEP tape
Face Outside AL.Mylar	0.78± 0.05 mm 100% 25% MIN (IP+AL)*11C	0.65± 0.05 mm 20	BRAID
DRAIN	28AWG TINNED COPPER		AL.MYLAR
FEP tape	100% 25% MIN (IP+AL)*11C		MYLAR
Mylar	100% 25% MIN		CONDUCTOR
Face Outside AL.Mylar	100% 25% MIN		INSULATION
DRAIN	/		FILLER
BRAID COPPER	TINNED COPPER 16*11/0.12± 0.008 mm 0.51 mm		DRAIN
JACKET	MATT PVC UL813 BLACK 7.60 ± 0.20 mm		
ELECTRICAL CHARACTERISTICS		COLOUR CODE:	
1. Conductor Resistance: at 20°C MAX 30AWG: 376.96Ω/km; 28AWG: 237.25Ω/km; 2. Insulation Resistance: 30AWG 100MΩ·km min at 20°C dc 500V 28AWG 10MΩ·km min at 20°C dc 500V 3. Dielectric Strength: AC 500V/1minute no breakdown. 4. Impedance: 100±10Ω 5. Time Delay Skew: within a pair(max) 50ps/M;		(IP+AL)*11C: 1. white*white/black 2. white*white/red 3. white*white/green 4. white*white/blue 5. white*white/purple 6. white*white/gray 7. white*white/yellow 8. white*white/orange 9. white*white/brown 10. white blue*white/green 11. white/black*white/red 2C*28#: 12.black 13.red	
PHYSICAL PROPERTIES OF JACKET		机(機)器人 / 拖链	
1. Tensile Strength: Unaged: 1500PSI min Aged: 70% min 2. Elongation: Unaged: 100% min Aged: 65% 3. Heat shock test: NO CRACKING 4. Cold bend test: NO CRACKING 5. Deformation test: MAX 50% 6. Flame test: PASS VW-1		MINIMUM BEND RADIUS: 10X O.D.	
COMPONENTS EXPRESS, INC. 10330 Argonne Woods Drive, Ste100 Woodridge, IL 60517		APPROVED CHECKED DRAWING CWJ	
96599261002 8/8/19		CUSTOMER REV DATE 2017.02.15	
CC-EW-206A		CC-EW-206A	



www.AegisElectronic.com

MVC-Cable Type #: 5

SPECIFICATION:		(1P*30# +AL)*5C+2C*30# +2D+M+AL+B	
ITEM	SPECIFICATION		
CONDUCTOR	30AWG TINNED COPPER	30AWG TINNED COPPER	
COND.SIZE	7/0.10±0.008 mm	7/0.10±0.008 mm	
MIN.AVG.THICK	0.18 mm	0.10 mm	
MATERIAL	FM-PE+SKIN	SR-PVC	
O . D	0.72±0.06 mm	0.60±0.05 mm	
N.O.	1P*5C	2C	
AWG	/	/	
MATERIAL	/	/	
SIZE	/	/	
COVERAGE	100%	/	
OVERLAP	25%MIN	/	
COVERAGE	/	/	
OVERLAP	/	/	
MATERIAL	TINNED COPPER	TINNED COPPER	
SIZE	7/0.127±0.008 mm*2PCS	7PICH .90%MIN	
COVERAGE	100%		
OVERLAP	25%MIN		
COVERAGE	100%		
OVERLAP	25%MIN		
MATERIAL	TINNED COPPER	TINNED COPPER	
SIZE	16*10/0.10±0.008 mm	7PICH .90%MIN	
MIN.AVG.THICK	0.51 mm		
MATERIAL	MATT PVC		
COLOUR	UL813 BLACK		
O . D	5.50±0.20 mm		
ELECTRICAL CHARACTERISTICS	PHYSICAL PROPERTIES OF JACKET		
	1. Tensile Strength: Unaged: 1500PSI min Aged: 70% min 2. Elongation: Unaged: 100% min Aged: 65% 3. Heat shock test: NO CRACKING 4. Cold bend test: NO CRACKING 5. Deformation test: MAX 50% 6. Flame test: PASS VW-1		
JACKET		MINIMUM BEND RADIUS: 10X O.D.	
JACKET		 <p>COMPONENTS EXPRESS, INC. 10330 Argonne Woods Drive, Ste 100 Woodridge, IL 60517</p>	
APPROVED		CUSTOMER	
CHECKED		REV	A
DRAWING		DATE	2017.02.16



COLOUR CODE:

- 5P*30AWG: 1. WHITE*WHITE/BLACK 2. WHITE*WHITE/RED
- 3. WHITE*WHITE/GREEN 4. WHITE*WHITE/BLUE
- 5. WHITE*WHITE/PURPLE
- 2C*30AWG: 6.BLACK 7.RED