

KLU64-L

VGA, 640 x 480 Resolution



features

- Excellent temperature resolution (NETD) and high temperature accuracy
- Various image outputs CVBS, BT656 and LVDS
- Provision of pixel-level temperature info (307,200)
- SKD support for development of integrated S/W

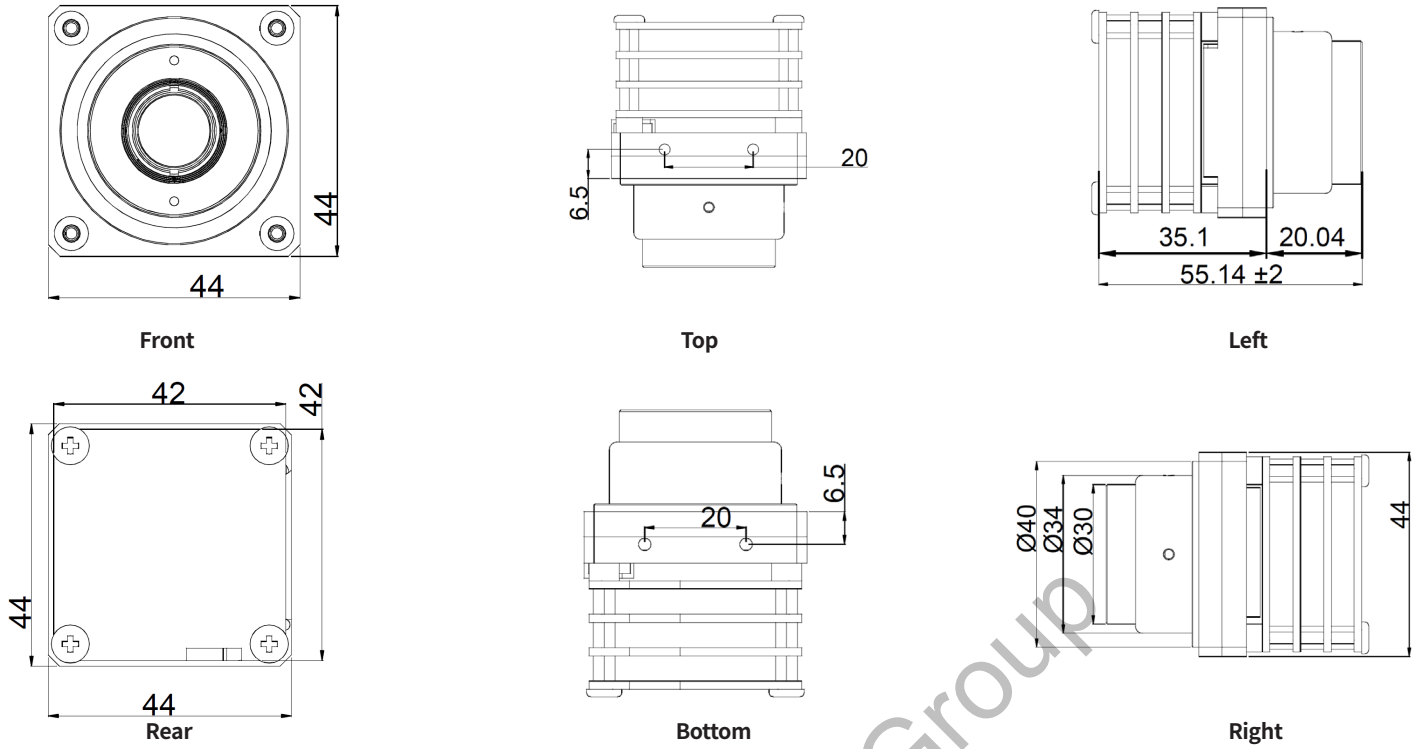
Specifications

Sensor	640x480 pixels/17μm pitch	
Spectral Range	8 - 14 μm	
Sensor Type	Un-cooled LWIR micro-bolometer	
Color Variation (Palette)	10 colors(Grey, Iron, Rain_v1,2,3/Half_Grey/Yellow/MidGrey/Fire/BlueRed)	
Image Setting	Analogue: AGC, Level & Span, NUC, Mirror, Flip, Invert, Image Filter on Screen Menu Digital/LVDS: AGC, Level & Span, NUC, Mirror, Flip, Invert, Image Filter	
Lens to be paired	Manual or Motorized focus Athermalized lenses also available as per request	Variety of lenses available
Alarm	Not available	
Function	Hot/Cold tracker, Center indicator	Analogue only
TV Mode	NTSC/PAL Compatible	Analogue only
Temperature Output Interface	Not available	
Protocol	KT&C's own protocol for menu control	
OSD Control	Via RS-485	Analogue only
Video Output Interface	Standard BNC Connector(Composite)	Analogue only
Frame Rate	9Hz / 30Hz	selectable at manufacturing stage
Start-up	<5 seconds	
Input power	12VDC	
Operating temperature	-30°C to 60°C	
Storage temperature	-40°C to 70°C	

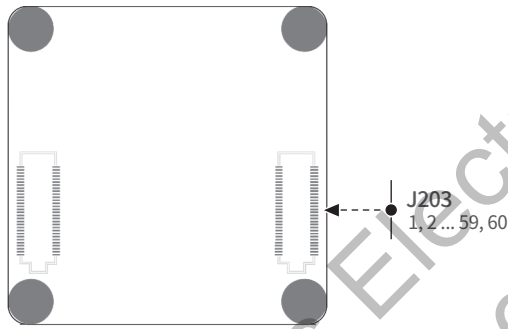
Note : KT&C offers output boards with LVDS and CVBS formats.

Please note that BT656 output is not supported directly and should be implemented by customer side.

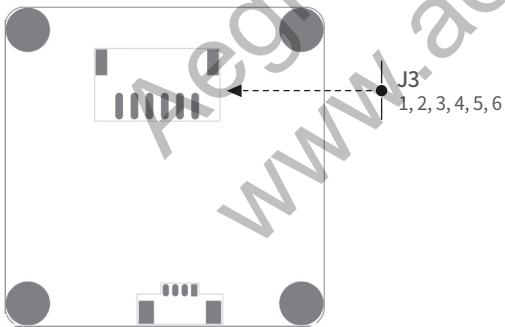
Dimension



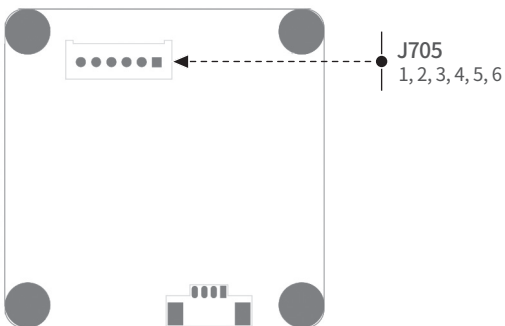
Pin Assignment



▲ Basic Board (3 Layers)



▲ Optional Board (4 Layers)



▲ Optional Board (4 Layers)

Pinno.	J203(BT656)		
6	CIS0_PCLK_P	22	CIS0_D04_P
10	CIS0_HSYNC_P	24	CIS0_D05_P
12	CIS0_VSYNC_P	26	CIS0_D06_P
14	CIS0_D00_P	28	CIS0_D07_P
16	CIS0_D01_P	13	nRESET_FPGA_P
18	CIS0_D02_P	35	FPGA_I2C_SCL_P
20	CIS0_D03_P	37	FPGA_I2C_SDA_P

Pin no.	LVDS
1	VCC
2	GND
3	LVDS Out
4	LVDS In
5	RS485 +
6	RS485 -

Pinno.	J705 CONN(CVBS)
1	12V VCC
2	GND
3	RS485+
4	RS485-
5	CVBS_OUT
6	GND