



VIS-D1B-8

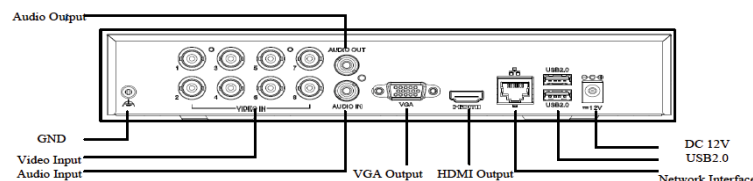
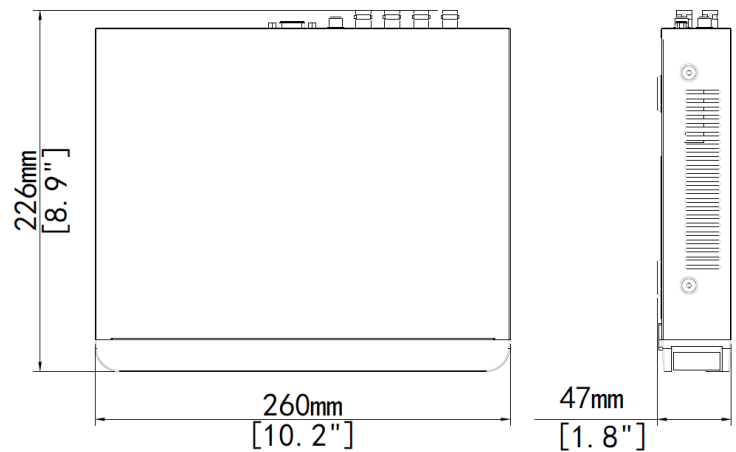
8 Ch TVI/AHD/CVI/Analog/IP Universal Port Recorder, with 4 Bonus IP Ch, Up to 12 cameras total, 1 HD Bay

Features

- 8 Channel Universal Port DVR (TVI/AHD/CVI/Analog/IP)
- Supports 5 Megapixel for TVI/AHD, CVBS
- 4 Bonus IP Channels - Up to 4 Megapixel
- H.265/H.264 Video Compression
- True P2P Connectivity with QR Code Connect
- Simultaneous HDMI/VGA up to 1080p Resolution
- Supports up to 8 Channel Simultaneous Playback
- Free iOS & Android Apps for Smart Phones & Tablets
- Free Central Management Software (CMS) to manage multiple units & sites from a single platform
- Free MAC client software to easily manage your system from your Apple computer

Model	VIS-D1B-8
Video/Audio Input	
Analog Video Input	8-ch, BNC
IP Video Input	4-ch(only IP up to 8ch), each channel up to 4MP
Supported Analog Camera Types	Support AHD input: 5MP@12fps 4MP@15fps 1080P@30fps 720P@30fps Support TVI input: 5MP@12fps 4MP@15fps 1080P@30fps 720P@30fps Support CVI input: 1080P@30fps 720P@30fps Support CVBS input
Audio Input	1-ch, RCA
Audio Compression	G.711U
Video/Audio Output	
VGA Output	1920x1080p/60Hz, 1920x1080p/50Hz, 1600x1200/60Hz, 1280x1024/60Hz, 1280x720/60Hz, 1024x768/60Hz
HDMI Output	1920x1080p/60Hz, 1920x1080p/50Hz, 1600x1200/60Hz, 1280x1024/60Hz, 1280x720/60Hz, 1024x768/60Hz
Audio Output	1-ch, RCA
Synchronous Playback	HD:4-ch SD:8-ch
Live view display	HDMI/VGA: 1/4/6/8/9/16
Two-way Audio	1-ch, RCA
Network	
Incoming Bandwidth	32Mbps (Up to 40Mbps after all analog channel conversion)
Outgoing Bandwidth	64Mbps
Remote Users	128
Protocols	TCP/IP, P2P, UPnP, DHCP, HTTP, HTTPS, DNS, DDNS, SMTP

Browser	IE(IE10/11) for Windows Firefox (version 52.0 and above) for Windows Chrome(version 45 and above) for Windows Edge(version 79 and above) for Windows
Encoding	
Recording Resolution	5MP Lite/4MP Lite /1080P/1080P Lite/720P/CIF
Recording Frame Rate	Main stream: 5MP Lite@6fps, 4MP Lite@8fps, 1080P Lite@12fps, 720P@12fps Sub stream: D1@6fps, D1@8fps, D1@12fps, D1@12fps
Audio Sample Rate	8KHz, 16 bit per channel
Audio Bit Rate	64Kbps per channel
Decoding	
Capability	Analog: 4 x 5MP Lite@6,4x 4MP Lite@8, 4x 1080P Lite @12fps IP: 1 x 4MP@30 , 2 x 1080P@30
Hard Disk	
SATA	1 SATA interface
Capacity	Up to 8TB for each HDD (The maximum HDD capacity varies with environment temperature)
General Alarm	
General Alarm	Motion detection
Alert Alarm	IP Conflict, Network Disconnected, Disk offline, Disk Abnormal, Illegal Access, Hard Disk Space Low, Hard Disk Full, Recording/Snapshot Abnormal
External Interface	
Network Interface	1 RJ45 10M/100M self-adaptive Ethernet Interface
USB Interface	Rear panel: 2 x USB2.0
Serial Interface	1 x RS485
General	
Power Supply	12V DC Power Consumption: ≤ 8 W(without HDD)
Working Environment	14°F ~ 131°F (-10°C ~ 55°C), Humidity ≤ 90% RH(non-condensing)
Dimensions (W×D×H)	10.2" × 8.9"×1.8" (260mm ×226mm× 47mm)
Weight (without HDD)	≤ 2.42lb (1.1 Kg)
Certification	
Certification	UL, CE, FCC, RoHS, WEEE



Ordering Information

VIS-D1B-8: 8 Channel DVR