



CAMERA LINK MACHINE VISION CABLES

PART NUMBER REFERENCE



Select Connector Type: End "1"

- MDR Male Straight Exit = 1
- MDR Female Straight Exit = 2
- MDR Male Low Profile R/A Exit *UP* = 3
- MDR Male Low Profile R/A Exit *DWN* = 4
- HDR / SDR Male Straight Exit = 5
- HDR / SDR Male R/A Exit *UP* w/Recessed Screws = 6
- HDR / SDR Male R/A Exit *DOWN* w/Recessed Screws = 7
- MDR Male Ext. Profile R/A Exit *UP* = 8
- MDR Male Ext. Profile R/A Exit *DWN* = 9
- MDR Male Exit *RIGHT* w/Recessed Screws = 10

- MDR Male Exit *LEFT* w/Recessed Screws = 11
- HDR / SDR Female Straight Exit = 12
- MDR Male R/A *UP* 135° Exit *LEFT* = 13
- MDR Male R/A *DWN* 135° Exit *LEFT* = 14
- 14P HDR / SDR PoCL Lite Straight Exit w/Recessed Screws = 15
- MDR Latch Type Straight Exit = 16
- HDR / SDR Male Exit *RIGHT* w/Recessed Screws = 17
- HDR / SDR Male Exit *LEFT* w/Recessed Screws = 18
- HDR / SDR Male R/A *UP* Ext. Profile w/Recessed Screws = 19
- HDR / SDR Male R/A *DWN* Ext. Profile w/Recessed Screws = 20

Cable Type Options:

- HIFLEX (Robotic / C-Track) = 1
- HIFLEX PoCL (Robotic / C-Track) = 2
- 30 AWG (Robotic / C-Track) = 3
- 30 AWG PoCL (Robotic / C-Track) = 4
- PoCL Lite = 5

Select Connector Type: End "2"

- MDR Male Straight Exit = 1
- MDR Female Straight Exit = 2
- MDR Male Low Profile R/A Exit *UP* = 3
- MDR Male Low Profile R/A Exit *DWN* = 4
- HDR / SDR Male Straight Exit = 5
- HDR / SDR Male R/A Exit *UP* w/Recessed Screws = 6
- HDR / SDR Male R/A Exit *DOWN* w/Recessed Screws = 7
- MDR Male Ext. Profile R/A Exit *UP* = 8
- MDR Male Ext. Profile R/A Exit *DWN* = 9
- MDR Male Exit *RIGHT* w/Recessed Screws = 10

- MDR Male Exit *LEFT* w/Recessed Screws = 11
- HDR / SDR Female Straight Exit = 12
- MDR Male R/A *UP* 135° Exit *LEFT* = 13
- MDR Male R/A *DWN* 135° Exit *LEFT* = 14
- 14P HDR / SDR PoCL Lite Straight Exit w/Recessed Screws = 15
- MDR Latch Type Straight Exit = 16
- HDR / SDR Male Exit *RIGHT* w/Recessed Screws = 17
- HDR / SDR Male Exit *LEFT* w/Recessed Screws = 18
- HDR / SDR Male R/A *UP* Ext. Profile w/Recessed Screws = 19
- HDR / SDR Male R/A *DWN* Ext. Profile w/Recessed Screws = 20

Option: Length in Meters

Physical:

- Cable Color: Black
- Shell Color: Black
- Shell Construction: Pre-molded in Polyethelene, fully shielded and over-molded in black PVC.
- Cable Construction: Meets Automated Imaging Association Camera Link Standard. Skew-within pair: 35 ps/m max Skew-channel skew per chipset: 50 ps/m max. All cables are Camera Link approved.

Temp: 8-14-19

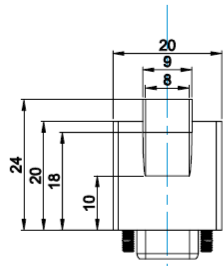
CONNECTOR TYPE OPTIONS:



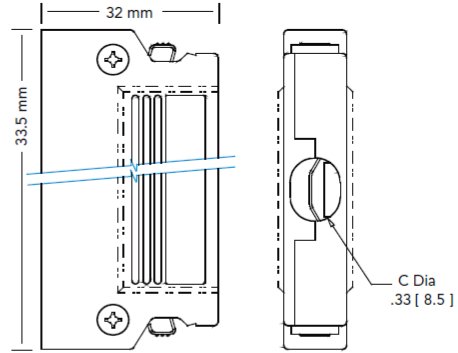
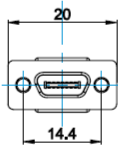
* Connector #12 & 16 are ONLY compatible with cable types 3 & 4.
 ** Cable type 5 is ONLY compatible with connector #15.

See pages 4 – 5 for profile drawings.

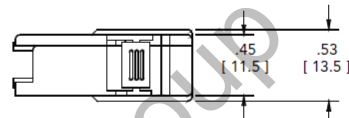
Temp:
8-14-19



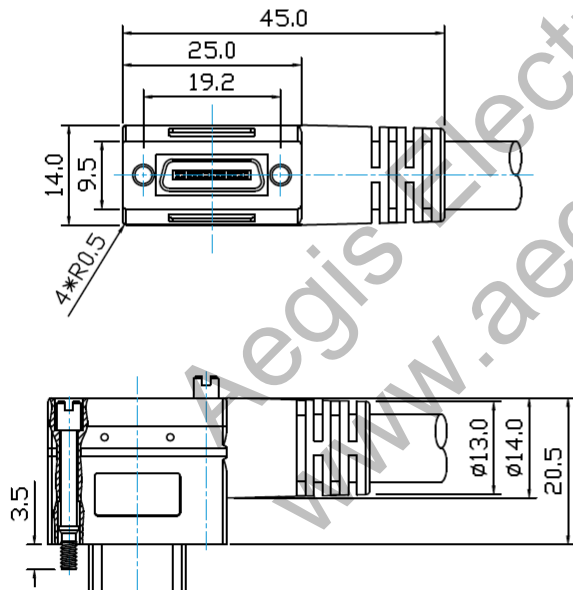
PROFILE 15



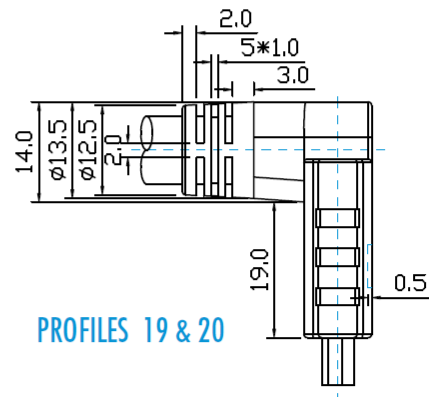
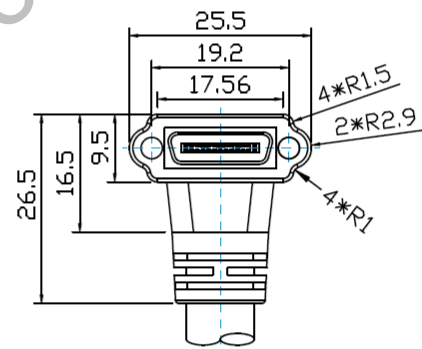
PROFILE 16



Assembled Junction Shell



PROFILES 17 & 18

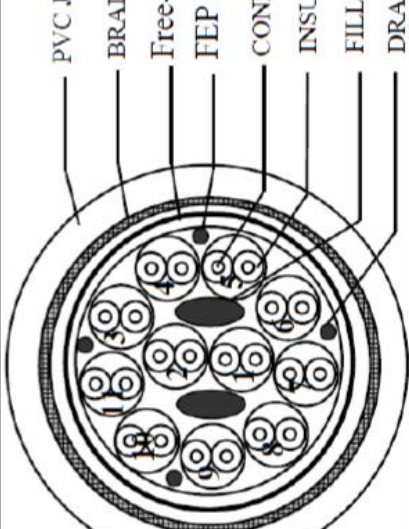



PROFILES 19 & 20

Temp: 8-14-19

MVC-Cable Type #: 1

Please Note that Cable Type #: 2 (pg. 2) may be substituted for Cable Type #: 1, For non-PoCL assemblies.

SPECIFICATION: (1P*28#+AL)*11C+4D+ FEP tape + Free-edge-AL-MYLAR +B		CONSTRUCTION	D.W.G
ITEM	SPECIFICATION	 <p>PVC JACKET BRAID Free-edge-AL-MY FEP tape CONDUCTOR INSULATION FILLER DRAIN</p> <p>COLOUR CODE:</p> <p>(1P-AL)*11C: 1. white^wwhite/black 2. white^wwhite/red 3. white^wwhite/green 4. white^wwhite/blue 5. white^wwhite/purple 6. white^wwhite/gray 7. white^wwhite/yellow 8. white^wwhite/orange 9. white^wwhite/brown 10. white^wblue^bwhite/green 11. white^wblack^kwhite/red</p>	
CONDUCTOR	28AWG TINNED COPPER		
INSULATION	19/0.08±0.008 mm 0.25 mm FM-PE+SKIN		
Face Outside AL.Mylar	1.02±0.05 mm 100% 25% MIN (1P+AL)*11C		
DRAIN	28AWG TINNED COPPER		
FEP tape	19/0.08±0.008 mm×4PCS 100% 25% MIN		
Free-edge-AL-MYLAR	100% 25% MIN		
DRAIN	/		
BRAID COPPER	TINNED COPPER 24*10/0.12±0.008 mm 90% MIN		
JACKET	0.51 mm HALF MATT PVC UL813 9.50 ± 0.20 mm		
ELECTRICAL CHARACTERISTICS 1. Rating: TEMP: 80°C; VOLTAGE: 30V 2. Conductor Resistance: at 20°C MAX 28AWG: 237.25Ω/km; 3. Insulation Resistance: 100MΩ-km min. at 20°C 4. Dielectric Strength: AC 500V/1 minute no breakdown. 5. Impedance: 100±10Ω 6. Time Delay Skew: within a pair(max) 50ps/M; 7. Delay Max 5.20ns/m		PHYSICAL PROPERTIES OF JACKET 1. Tensile Strength: Unaged: 1500PSI min Aged: 70% min 2. Elongation: Unaged: 100% min Aged: 65% 3. Heat shock test: NO CRACKING 4. Cold bend test: NO CRACKING 5. Deformation test: MAX 50% 6. Flame test: PASS VW-1	
MINIMUM BEND RADIUS: 10X O.D.		 <p>COMPONENTS EXPRESS, INC. 10330 Argonne Woods Drive, Ste 100 Woodridge, IL 60517</p>	
机(機)器人 / 拖链		2065940066 (E0755-1) 8/8/19	
APPROVED		CUSTOMER	
CHECKED		REV A	
DRAWING CHJ		DATE 16/11/03	

CC-EW-206A

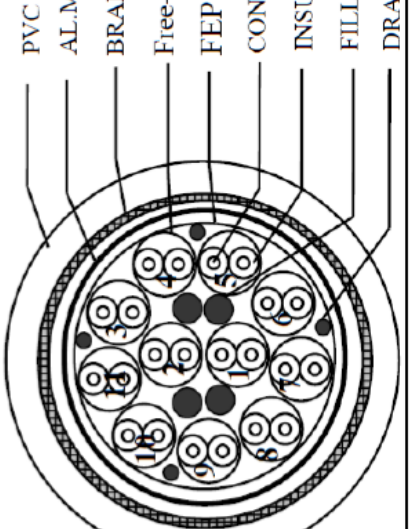

MVC-Cable Type #: 2

Please Note that Cable Type #: 2 (pg. 2) may be substituted for Cable Type #: 1, For non-PoCL assemblies.

SPECIFICATION: (1P*28#+AL)*11C+2C*24#+2D+ FEP tape + Free-edge-AL-MYLAR +B		CONSTRUCTION D.W.G	
ITEM	SPECIFICATION	D.W.G	
CONDUCTOR	28AWG TINNED COPPER	PVC JACKET	
	COND.SIZE 19/0.08±0.008 mm	BRAID	
	MIN.AVG.THICK 0.25 mm	Free-edge-AL-MYLAR	
INSULATION	MATERIAL FM-PE+SKIN	FEP tape	
	O . D 1.02±0.05 mm	CONDUCTOR	
Face Outside AL.Mylar	COVERAGE 100%	INSULATION	
	OVERLAP 25% MIN	FILLER	
	N.O. (1P+AL)*11C	DRAIN	
DRAIN	AWG 24AWG	COLOUR CODE:	
	MATERIAL TINNED COPPER	(1P+AL)*11C: 1.white*white/black 2.white*white/red 3.white*white/green	
FEP tape	SIZE 19/0.127±0.008 mmx2PCS	4.white*white/blue 5.white*white/purple 6.white*white/gray	
Free-edge-AL-MYLAR	COVERAGE 100%	7.white*white/yellow 8.white*white/orange 9.white*white/brown	
	OVERLAP 25% MIN	10.white/blue*white/green 11.white/black*white/red	
DRAIN	AWG /	2C*24#+12.red 13.black	
BRAID	MATERIAL /	机(機)器人 / 拖链	
COPPER	SIZE /	MINIMUM BEND RADIUS: 10X O.D.	
JACKET	MATERIAL TINNED COPPER	COMMENTS	
	SIZE 24*10/0.12±0.008 mm 90% MIN	COMPONENTS EXPRESS, INC.	
	MIN.AVG.THICK 0.51 mm	10330 Argonne Woods Drive, Ste100	
	MATERIAL HALF MATT PVC -20°C -80°C	Woodridge, IL 60517	
	COLOUR UL813	206594006900 8/8/19	
	O . D 9.50 ± 0.20 mm	APPROVED	
		CHECKED	
		DRAWING	
		DATE	
		REV	
		CUSTOMER	
		A	
		16/11/03	
		CC-EW-206A	

ELECTRICAL CHARACTERISTICS	PHYSICAL PROPERTIES OF JACKET
1. Rating: TEMP -80°C ; VOLTAGE 30V	1. Tensile Strength: Unaged: 1500PSI min Aged: 70% min
2. Conductor Resistance: at 20°C MAX 28AWG: 237.25Ω/km; 24AWG: 93.25Ω/km	2. Elongation: Unaged: 100% min Aged: 65%
3. Insulation Resistance: 28AWG 100MΩ-km min at 20°C 24AWG 10MΩ-km min at 20°C	3. Heat shock test: NO CRACKING
4. Dielectric Strength: AC 500V/1minute no breakdown.	4. Cold bend test: NO CRACKING
5. Impedance: 100±10Ω	5. Deformation test: MAX 50%
6. Time Delay Skew: within a pair(max) 50ps/M;	6. Flame test: PASS VW-1
7. Delay Max 5.20ns/m	

MVC-Cable Type #: 3

SPECIFICATION: (1P*30#+AL)*11C+4D+ FEP tape + Free-edge-AL-MYLAR +B		CONSTRUCTION D.W.G
ITEM	SPECIFICATION	 <p>PVC JACKET AL.MYLAR BRAID Free-edge-AL-MYLAR FEP tape CONDUCTOR INSULATION FILLER DRAIN</p>
CONDUCTOR	30AWG TINNED COPPER 19/0.06±0.008 mm	
INSULATION	0.25 mm FM-PE+SKIN 0.79±0.05 mm	
Face Outside AL.Mylar	100% 25% MIN (1P+AL)*11C	
DRAIN	28AWG TINNED COPPER	
FEP tape	19/0.08±0.008 mm*4PCS 100%	
Free-edge-AL-MYLAR	25% MIN 100% 25% MIN	
DRAIN	/	
BRAID COPPER	/	
JACKET	TINNED COPPER 16*11/0.12±0.008 mm 0.51 mm MATT PVC UL815 8.00 ± 0.30 mm	
ELECTRICAL CHARACTERISTICS		 <p>COMPONENTS EXPRESS, INC. 10330 Argonne Woods Drive, Ste100 Woodridge, IL 60517</p>
1. Conductor Resistance: at 20°C MAX 30AWG: 376.96Ω km;		
2. Insulation Resistance: 10MΩ-km min at 20°C dc 500V (EIA-364-21)		
3. Dielectric Strength: AC 500V/1 minute no breakdown. (EIA-364-20)		
4. Impedance: 100±10Ω		
PHYSICAL PROPERTIES OF JACKET		
1. Tensile Strength: Unaged: 1500PSI min Aged: 70% min		
2. Elongation: Unaged: 100% min Aged: 65%		
3. Heat shock test: NO CRACKING		
4. Cold bend test: NO CRACKING		
5. Deformation test: MAX 50%		
6. Flame test: PASS VW-1		
		<p>机(機)器人 / 拖链</p> <p>MINIMUM BEND RADIUS: 10X O.D.</p>
		<p>96599030004 8/8/19</p>
APPROVED		CUSTOMER
CHECKED		REV A
DRAWING	CWJ	DATE 16.12.10 CC-EW-206A

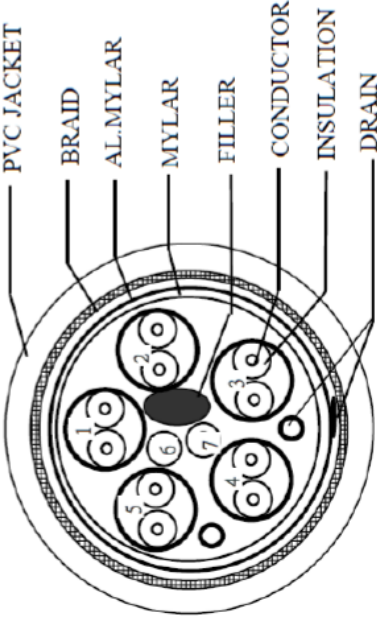
MVC-Cable Type #: 4

SPECIFICATION: (IP*30#+AL)*11C+2C*28#+2D+ FEP tape +M +AL+B		CONSTRUCTION D.W.G	
ITEM	SPECIFICATION		
CONDUCTOR	30AWG TINNED COPPER	PVC JACKET	
INSULATION	19/0.06± 0.008 mm 0.20 mm FM-PE+SKIN	FEP tape	
Face Outside AL.Mylar	0.78± 0.05 mm 100% 25% MIN (IP+AL)*11C	BRAID	
DRAIN	28AWG TINNED COPPER	AL.MYLAR	
FEP tape	19/0.08± 0.008 mm x 2PCS 100%	MYLAR	
Mylar	100% 25% MIN	CONDUCTOR	
Face Outside AL.Mylar	100% 25% MIN	INSULATION	
DRAIN	/	FILLER	
BRAID	TINNED COPPER	DRAIN	
COPPER	16*11/0.12± 0.008 mm 0.51 mm	COLOUR CODE:	
JACKET	MATT PVC UL813 BLACK 7.60 ± 0.20 mm	(IP+AL)*11C: 1. white*white/black 2. white*white/red 3. white*white/green 4. white*white/blue 5. white*white/purple 6. white*white/gray 7. white*white/yellow 8. white*white/orange 9. white*white/brown 10. white/blue*white/green 11. white/black*white/red 2C*28#: 12.black 13.red	
ELECTRICAL CHARACTERISTICS		机(機)器人 / 拖链 MINIMUM BEND RADIUS: 10X O.D.	
1. Conductor Resistance: at 20°C MAX 30AWG: 376.96Ω/km; 28AWG: 237.25Ω/km; 2. Insulation Resistance: 30AWG 100MΩ·km min at 20°C dc 500V 28AWG 10MΩ·km min at 20°C dc 500V 3. Dielectric Strength: AC 500V/1minute no breakdown. 4. Impedance: 100±10Ω 5. Time Delay Skew: within a pair(max) 50ps/M;		<p>COMPONENTS EXPRESS, INC. 10330 Argonne Woods Drive, Ste100 Woodridge, IL 60517</p>	
PHYSICAL PROPERTIES OF JACKET		96599261002 8/8/19	
1. Tensile Strength: Unaged: 1500PSI min Aged: 70% min 2. Elongation: Unaged: 100% min Aged: 65% 3. Heat shock test: NO CRACKING 4. Cold bend test: NO CRACKING 5. Deformation test: MAX 50% 6. Flame test: PASS VW-1		APPROVED CHECKED DRAWING CWJ	
		CUSTOMER REV A DATE 2017.02.15	

MVC-Cable Type #: 5

SPECIFICATION:		(1P*30# +AL)*5C+2C*30# +2D+M+AL+B	
ITEM	SPECIFICATION		
CONDUCTOR	30AWG	30AWG	30AWG
MATERIAL	TINNED COPPER	TINNED COPPER	TINNED COPPER
COND.SIZE	7/0.10±0.008 mm	7/0.10±0.008 mm	7/0.10±0.008 mm
MIN.AVG.THICK	0.18mm	0.18mm	0.10mm
MATERIAL	FM-PE+SKIN	SR-PVC	
O . D	0.72±0.06mm	0.60±0.05 mm	
N.O.	1P*5C	2C	
AWG	/	/	
MATERIAL	/	/	
SIZE	/	/	
COVERAGE	100%	/	
OVERLAP	25%MIN	/	
COVERAGE	/	/	
OVERLAP	/	/	
MATERIAL	TINNED COPPER	TINNED COPPER	
SIZE	7/0.127±0.008mm*2PCS		
COVERAGE	100%		
OVERLAP	25%MIN		
COVERAGE	100%		
OVERLAP	25%MIN		
MATERIAL	TINNED COPPER	TINNED COPPER	
SIZE	16*10/0.10±0.008 mm	7PICH	90%MIN
MIN.AVG.THICK	0.51mm		
MATERIAL	MATT PVC		
COLOUR	UL813 BLACK		
O . D	5.50±0.20 mm		
ELECTRICAL CHARACTERISTICS	PHYSICAL PROPERTIES OF JACKET		
	1. Tensile Strength: Unaged: 1500PSI min Aged: 70% min 2. Elongation: Unaged: 100% min Aged: 65% 3. Heat shock test: NO CRACKING 4. Cold bend test: NO CRACKING 5. Deformation test: MAX 50% 6. Flame test: PASS VW-1		
Rating: TEMP : 80C : VOLTAGE: 30V		1. Tensile Strength: Unaged: 1500PSI min Aged: 70% min	
2. Conductor Resistance: at 20C MAX 30AWG: 376.96Ω km		2. Elongation: Unaged: 100% min Aged: 65%	
3. Insulation Resistance: 30# SR 100MΩ-km min at 20C dc 500V (EIA-364-21)		3. Heat shock test: NO CRACKING	
30# FM-PE-SKIN 100MΩ-km min at 20C dc 500V (EIA-364-21)		4. Cold bend test: NO CRACKING	
4. Dielectric Strength: AC 300V/Inmate no breakdown. (EIA-364-20)		5. Deformation test: MAX 50%	
5. Impedance: Pairs (differential mode) 100±10Ω		6. Flame test: PASS VW-1	
6. Delay Skew: 50ps/in			

CONSTRUCTION D.W.G



COLOUR CODE:

- 5P*30AWG: 1. WHITE*WHITE/BLACK 2. WHITE*WHITE/RED
- 3. WHITE*WHITE/GREEN 4. WHITE*WHITE/BLUE
- 5. WHITE*WHITE/PURPLE
- 2C*30AWG: 6.BLACK 7.RED

MINIMUM BEND RADIUS: 10X O.D.



COMPONENTS EXPRESS, INC.
 10330 Argonne Woods Drive, Ste 100
 Woodridge, IL 60517

96595230002 8/8/19

APPROVED		CUSTOMER	
CHECKED		REV	A
DRAWING	CHJ	DATE	2017.02.16