

3.4X 4K Network Camera Modules

Model: SV-4K34IP



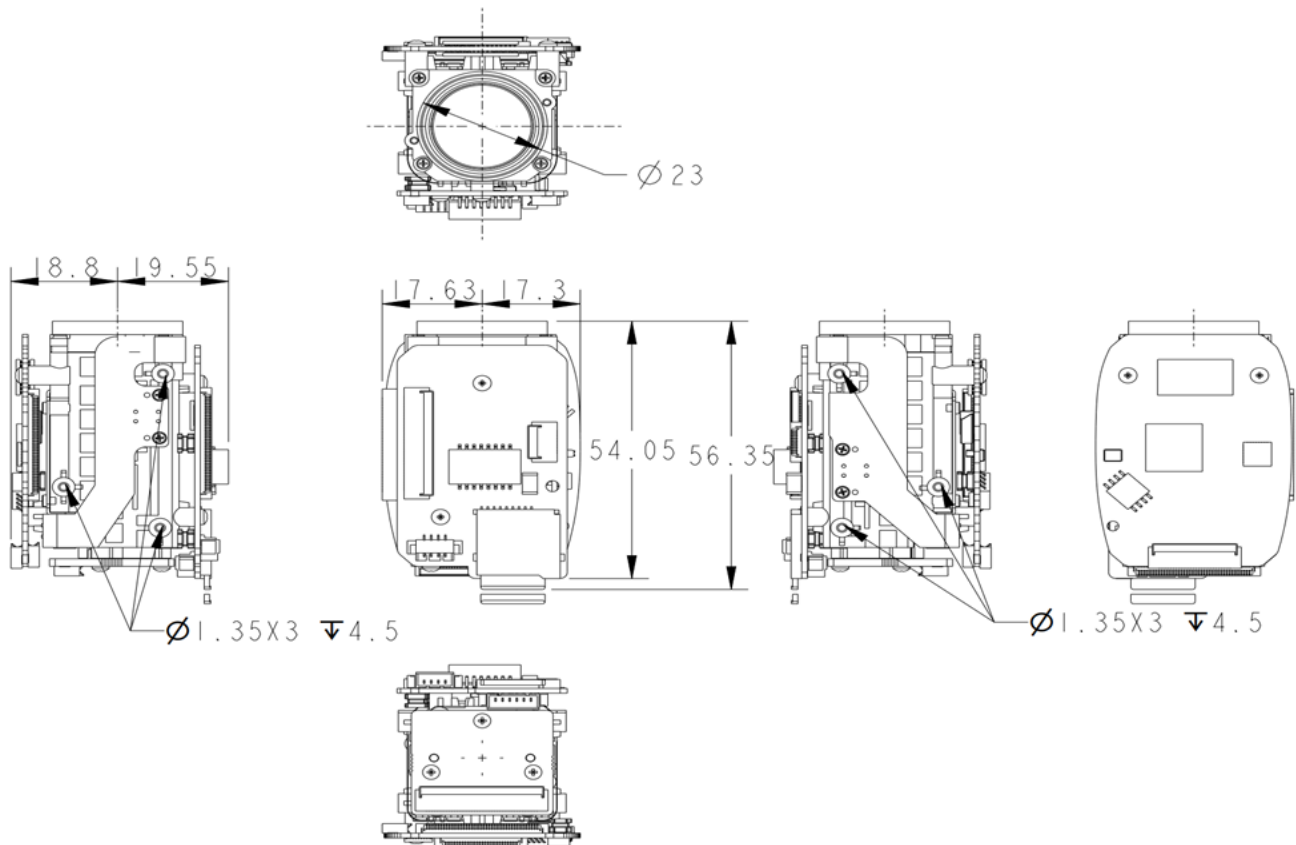
- 1/2.3" high sensitivity Back-illuminated image sensor, Ultra HD quality.
- 3.4 × optical zoom, 3.8mm-13mm, Fast and accurate autofocus.
- Max. Resolution: 4000 x 3000 @ 10fps.
- Support Smart Tracking.
- Supports Electronic-Defog, HLC, BLC, WDR, Suitable for a wide range of applications.
- Supports independent configuration of two sets of Day/Night Profiles.
- Supports H.265, Higher encoding compression rate.
- Supports triple streams, meet the varying demands of stream bandwidth and frame rate for live preview and storage.
- Supports ONVIF, Compatible with VMS and network devices from leading manufacturers.
- Full functions: PTZ control, Alarm, Audio, OSD, etc.

Specification

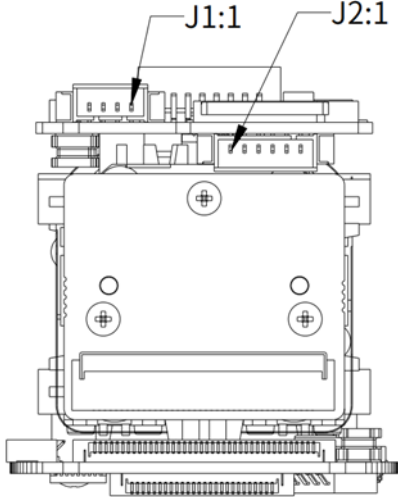
Camera SV-4K34IP		
Sensor	Type	Sony Exmor CMOS Sensor.
	Effective Pixels	12MP
Lens	Focal Length	3.8 ~ 13mm
	Optical Zoom	3.4×
	FOV	82.2° ~ 25.8°
	Close Focus Distance	0.1m ~ 1.5m (Wide ~ Tele)
	Zoom Speed	2.5 Sec (Optics, Wide ~ Tele)
Video & Audio Network	Compression	H.265/H.264/H.264H/MJPEG
	Video Compression	Main Stream: 3840*2160@25/30fps; 1080P@25/30fps; 720P@25/30fps Sub-Stream1: D1@25/30fps; VGA@25/30fps; CIF@25/30fps Sub-Stream2: 1080P@25/30fps; 720P@25/30fps; D1@25/30fps
	Video Bit Rate	32kbps ~ 16Mbps
	Audio Compression	AAC/MPEG2-Layer2
	Storage Capabilities	TF card, up to 256GB
	Network Protocols	Onvif ,HTTP, HTTPS, RTSP, RTP, TCP, UDP
	General Events	Motion Detection, Tamper Detection, Scene Changing, Audio Detection, SD Card, Network, Illegal Access
IVS	Tripwire, Intrusion, Loitering, etc.	
Upgrade		Support
Min Illumination		0.5Lux/F2.4
Shutter Speed		1/3 ~ 1/30000 Sec
Noise Reduction		2D / 3D
Image Settings		Saturation, Brightness, Contrast, Sharpness, Gamma, etc.
Flip		Support
Exposure Model		Auto/Manual/Aperture Priority/Shutter Priority/Gain Priority
Exposure Comp		Support
WDR		Support
BLC		Support
HLC		Support
S/N Ratio		≥ 55dB (AGC Off, Weight ON)
AGC		Support
White Balance (WB)		Auto/Manual/Indoor/Outdoor/ATW/Sodium Lamp/Natural/Street Lamp/One Push
Day/Night		Auto (ICR)/Manual (Colour, B/W)
Digital Zoom		16×
Focus Model		Auto/Manual/Semi-Auto
Electronic-Defog		Support
EIS		Support

Smart Tracking	support
GPS information record	support
Flight log	support
Snapshot	support
Record	support
External Control	2× TTL3.3V, Compatible with VISCA and PELCO protocols
Video Output	Network
Baud Rate	9600 (Default)
Operating Conditions	-30°C ~ +60°C; 20 % to 80 % RH
Storage Conditions	-40°C ~ +70°C; 20 % to 95 % RH
Weight	55g
Power Supply	+9 ~ +12V DC
Power Consumption	Static: 3.5W; Max: 4.5W
Dimensions (mm)	Length * Width * Height: 55*30*40

Dimensions (mm)



Interface



Type	No.	
J1	1	ETHRX -
	2	ETHRX +
	3	ETHTX -
	4	ETHTX +
J2	1	DC_IN
	2	GND
	3	RXD1
	4	TXD1
	5	RXD0
	6	TXD0



Phone: 760-729-2026
 Email: David@aegiselect.com