

Full HD 1920x1080 in a Compact Form Ideal for Remote Viewing

Introducing AF Zoom Cameras:

AEG-9500A-SDI (HD-SDI)

Incorporating Sony's latest

Starvis Sensor 2 1080P and Auto Focus camera,

our new complete camera assemblies offer a perfect

solution for applications requiring a zoom or auto focus remote

viewing Industrial camera that is configurable

to your specific needs.

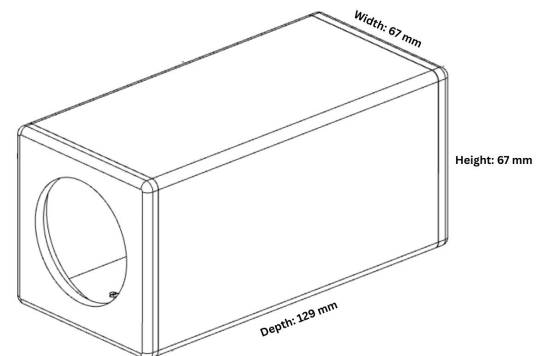


1/4-20 Mounting Hole
is approx 25mm from
front of camera
centered(bottom View)

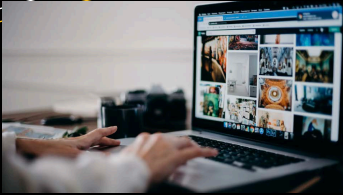
Ideally suited for Remote Viewing, Low Vision, Broadcast, POV, Industrial Inspection, and many more.

Key Features Include:

- 1/2.8-type ExmorR Starvis Sony CMOS sensor
- 30X Optical Zoom
- Auto Focus
- 0.1 Lux
- Day/Night Mode
- Auto White D mode
- E-Flip
- Mirror Image
- Built-in 1/4-20 Mounting Bracket
- All cameras are RoHS Compliant
- 43mm Threads - for filters or safety lens cover (sold separately)



Aegis
ELECTRONIC GROUP, INC
Phone 760-729-2026 www.aegis-elec.com



**RESTRICTED
AREA**

Cameras
For
Restricted
Area



OPTIONAL

ACCESSORIES:

- (ACY415A)
- 12V DC Power Supply for
- Push Button Controller
- BNC Cables (2m, 5m, 10m)
- RS232 Cables (2m, 5m, 10m, 15m)
- HDSDI Cables

For more information on any of our products or services please **contact us:**

Tel: 760-729-2026

Fax: 760-729-9295



Specification:

Image sensor	Progressive scan CMOS image sensor 1/2.8type Exmor R Starvis	
	Number of total pixels (H) x(V)	1,952 x 1,236, 2.41 M pixels
	Number of effective pixels (H) x(V)	1,944 x 1,224, 2.38 M pixels
	Number of recommended recording pixels (H) x(V)	1,920 x 1,080
Lens	Focal length	4.3 [mm] to 129 [mm]
	Magnification	30X
	Horizontal angle of view	63.7[degree] (Wide) 2.3[degree] (Tele)
	F value	F1.6 (Wide) to F4.7 (Tele)
Control mechanics	Zoom motor	Stepping motor
	Focus motor	Stepping motor
	Iris	Auto / Manual
	White Balance	Same
Output mode	HD	1080p/59.94, 1080p/50, 1080i/59.94, 1080i/50, 1080p/29.97, 1080p/25, 720p/59.94, 720p/50, 720p/29.97, 720p/25
I/O pins	Image signal I/O	HD-SDI
	Control signal I/O	VISCA protocol
Power, others	Power supply	DC 12.0 [V]
	Power consumption	3.2W (Typ. at draft mode, Lens actuator not included)
	Storage temperature	-20 to +60 [degree] / 20 [%] to 95 [%]
	Operating temperature	-5 to +60 [degree] / 20 [%] to 80 [%]
	Package dimensions	Width= 70mm Height=78mm Depth=133.5mm
Accessories Included	Built in 1/4-20 Bracket	

*All specification information is preliminary and subject to change without notice

Camera Pin Out

