

# MC-A308

2MP High Resolution 30x Zoom Module

**AHD** **HD-SDI** **EX-SDI** **CVBS**

**1/2.8"** CMOS  
**60fps** Full HD  
**1080p**  
**30x** ZOOM  
**AF** ZOOM  
**3D** DNR  
**DSS**  
**MOTION**

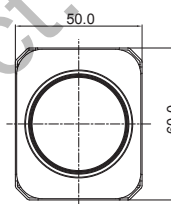


## Features

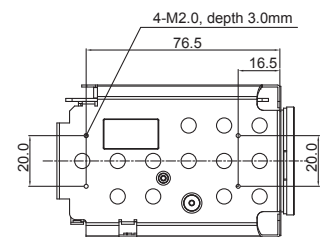
- 1/2.8" 2MP Sony CMOS Sensor
- 1080p 60fps/30fps, 720p 60fps/30fps
- 30x Optical Zoom(4.6mm~136mm) & 32x Digital Zoom
- Day & Night(ICR)
- Wide Dynamic Range
- Digital Noise Reduction(2D+3D)
- Digital Image Stabilization
- Privacy Mask Function
- High Light Compensation
- Intelligent Motion Detection
- Defog Function
- Supports VISCA, Pelco-D/P Protocol
- Video Out : AHD, HD-SDI, EX-SDI, CVBS

## Dimensions

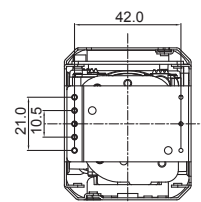
Unit : mm



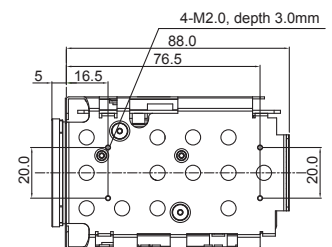
FRONT



LEFT SIDE

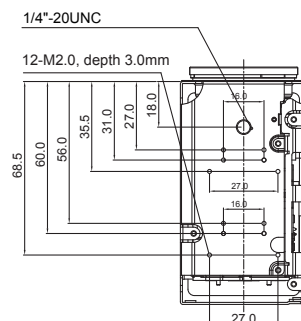
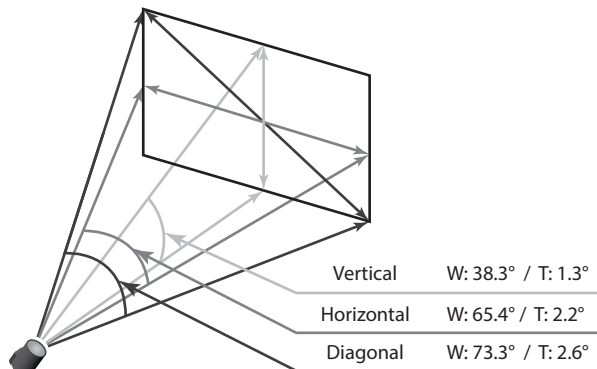


BACK

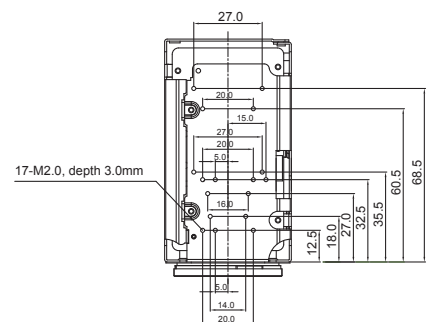


RIGHT SIDE

## Field of View



BOTTOM



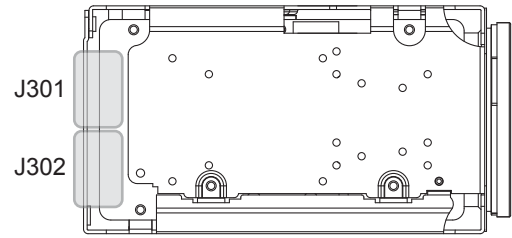
TOP

# Specifications

MC-A308				
Image Sensor	1/2.8" Sony CMOS Sensor			
Total Pixels	1,945 (H) x 1,109 (V) = 2.16M Pixels			
Active Pixels	1,945 (H) x 1,097 (V) = 2.13M Pixels			
Scanning System	Progressive Scan			
Sync. System	Internal			
Resolution	Digital : 1080p/60(50)fps, 1080p/30(25)fps, 720p/60(50)fps, 720p/30(25)fps			
	Analog : 700TVL			
Min. Illumination	Color(1/30s, 79.5dB) : 0.005 lux, BW(1/30s, 79.5dB) : 0.0008lux			
	Color DSS(1/8s, 79.5dB) : 0.00125 lux, BW DSS(1/8s, 79.5dB) : 0.0002 lux			
Video Output	HD : HD-SDI, EX-SDI			
	Analog : AHD, CVBS(without WDR)			
S/N Ratio	more than 50dB (AGC off)			
Lens Type	30x Day & Night Zoom Lens			
Zoom Ratio	Optical 30x, Digital 32x Zoom			
Focal Length	f = 4.6 mm ~ 136.0 mm			
Aperture Ratio	F1.63(wide) ~ F4.85(tele)			
Angle Of View(D, H, V)	Wide	73.3°(±5%)	65.4°(±5%)	38.3°(±5%)
	Tele	2.6°(±5%)	2.2°(±5%)	1.3°(±5%)
AF Mode	Auto / One Push / Manual			
Min. Distance	0.5 / 1.5 / 3.0 / 5.0 / 10.0 m			
Lens Refresh	One Push / 1 ~ 10Day			
Digital Zoom	Off / MAX 2x ~ 32x			
Exposure	Auto / Iris.P / Shut.P / Manual			
Gain Control(AGC)	Off / On			
Shutter Speed	1/30(25) ~ 1/30,000 sec			
Iris	0 ~ 20 steps			
Digital Slow Shutter(DSS)	Off / x2 / x4 ( / x8 : 60 or 50 fps mode only)			
Brightness	0 ~ 20 steps			
WDR/BLC	Off / WDR / BLC			
Day&Night	Auto / Day / Night / Ext-in			
White Balance	Auto / One Push / Manual / Indoor / Outdoor			
HLC	Off / On / Night Only			
DNR	Auto / Off / Low / Middle / High			
Mirror	Off / H / V / H&V			
Sharpness	0 ~ 10 steps			
ACE	Off / Low / Middle / High			
Defog	Off / On(Auto / Manual)			
Privacy Mask	Max. 24 Areas			
Motion Detection	Max. 3 Areas			
Defect Detection	Off / On			
System	NTSC / PAL			
Communication	Baud Rate : 2400 / 4800 / 9600 / 19200 / 38400 / 57600 / 115200			
	Protocol : VISCA / Pelco-D / Pelco- P / Update			
Language	English / Simplified Chinese / Traditional Chinese / Japanese			
Power Source	9V to 15V DC			
Power Consumption	500mA			
Power Input	Connector			
Video Output	Connector			
Storage Temperature	-20℃ ~ +60℃ (Humidity : 0%RH ~ 90%RH)			
Operating Temperature	-10℃ ~ +50℃ (Humidity : 0%RH ~ 90%RH)			
Dimensions	50(W) x 60(H) x 93(D)			
Weight	278g			

\* Design and specifications are subject to change without notice.

# Pin Assignment



J301	
1	GND
2	TxD
3	RxD
4	NC
5	GND
6	AHD-OUT
7	GND
8	ADKEY
9	NC
10	D/N-IN
11	NC
12	MD-OUT
13	485-DIR
14	F/W_SEL
15	GND
16	+5V
17	GND
18	VBS-OUT
19	GND
20	DC IN
21	DC IN
22	DC IN
23	DC IN
24	DC IN

Ref 05002HR-24J05(YEONHO)

J302	
1	RxD
2	TxD
3	GND
4	DC IN
5	GND
6	VBS-OUT
7	GND
8	AHD-OUT
9	GND

Ref 10019HR-09(YEONHO)