

Draft Ver.

# MC-G305

Global Shutter 30x Zoom Module

LVDS CVBS

1/3.1" CMOS	60fps Full HD 1080p	30x ZOOM	AF ZOOM	3D DNR	DSS	MOTION
----------------	---------------------------	-------------	------------	-----------	-----	--------

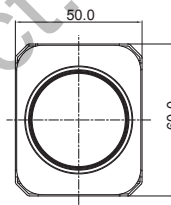


## Features

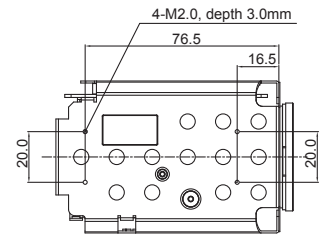
- 1/3.1" 3MP Sony CMOS Sensor
- 1080p 60fps/30fps, 720p 60fps/30fps
- 30x Optical Zoom(4.6mm~136mm) & 32x Digital Zoom
- Day & Night(ICR)
- Digital Noise Reduction(2D+3D)
- Digital Image Stabilization
- Privacy Mask Function
- High Light Compensation
- Intelligent Motion Detection
- Defog Function
- Supports VISCA, Pelco-D/P Protocol
- Video Out : LVDS, CVBS

## Dimensions

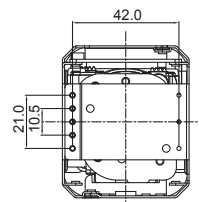
Unit : mm



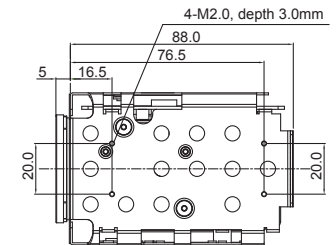
FRONT



LEFT SIDE

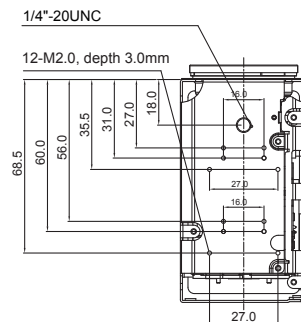
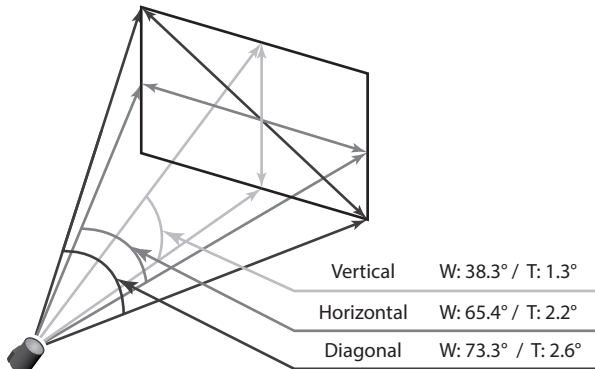


BACK

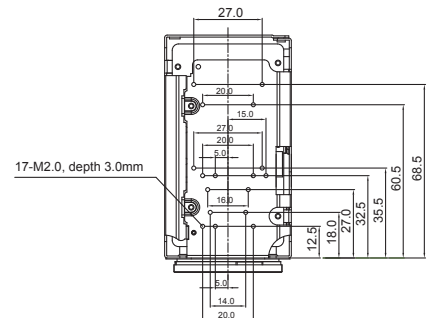


RIGHT SIDE

## Field of View



BOTTOM



TOP

# Specifications

MC-G305				
Image Sensor	1/3.1" Sony CMOS Sensor			
Total Pixels	2,064 (H) x 1,592 (V) = 3.28M Pixels			
Active pixels	2,064 (H) x 1,552 (V) = 3.20M Pixels			
Scanning System	Progressive Scan			
Sync. System	Internal			
Resolution	Digital : 1080p/60(50)fps, 1080p/30(25)fps, 720p/60(50)fps, 720p/30(25)fps			
	Analog : CVBS			
Min. Illumination(50%)	Color(1/30s, 79.5dB) : 0.1 lux , BW(1/30s, 79.5dB) : 0.01 lux			
	Color DSS(1/1s, 79.5dB) : 0.01 lux , BW DSS(1/1s, 79.5dB) : 0.001 lux			
Video Output	Digital : BT.1120, LVDS(Single / Dual)			
	Analog : CVBS			
S/N Ratio	more than 50dB (AGC off)			
Lens Type	30x Day & Night Zoom Lens			
Zoom Ratio	Optical 30x, Digital 32x Zoom			
Focal Length	f = 4.6 mm ~ 136.0 mm			
Aperture Ratio	F1.63(wide) ~ F4.85(tele)			
Angle Of View(D, H, V)	Wide	73.3°(±5%)	65.4°(±5%)	38.3°(±5%)
	Tele	2.6°(±5%)	2.2°(±5%)	1.3°(±5%)
Trigger Polarity	Active Low / Active High			
Trigger Delay	0 ~ 255.9ms			
Strobe Polarity	Active Low / Active High			
Strobe Delay	Ext-Trigger : 0 ~ 255.9ms / Free run : 0 ~ (1V period - Width)ms			
Strobe Width	Ext-Trigger : 0 ~ 255.9ms / Free run : 0 ~ (1V period - Delay)ms			
Shutter Speed(Ext-trigger)	1/30(25) ~ 1/40,000 sec			
AGC(Ext-trigger)	0 ~ 10 steps			
Iris(Ext-trigger)	Close ~ F1.6			
Day&Night(Ext-trigger)	Day / Night			
AF Mode	Auto / One Push / Manual			
Min. Distance	0.5 / 1.5 / 3.0 / 10.0m			
Lens Refresh	One Push / 1 ~ 10Day			
Digital Zoom	Off / MAX 2x ~ 32x			
Exposure	Auto / Iris.P / Shut.P / Manual			
Digital Slow Shutter(DSS)	Off / 2x / 4x / 8x / 16x / 32x (64x ~ 60 or 50fps mode only)			
Brightness	0 ~ 14 steps			
Back Light	Off / BLC / HLC			
White Balance	Auto / One Push / Manual / Indoor / Outdoor / Auto-Ext			
DNR	2D/3D, 2D+3D			
Mirror	Off / H / V / H&V			
Sharpness	0 ~ 15 steps			
DWDR	Off / Manual / Auto			
Defog	Off / Manual / Auto			
Privacy Mask	Off / On (8 points)			
Motion Detection	Off / On (4 points)			
Defect Detection	Off / On			
System	NTSC / PAL			
Communication	Baud Rate : 2400 / 4800 / 9600 / 19200 / 38400 / 57600 / 115200			
	Protocol : VISCA / Pelco-D / Pelco- P			
Power Source	9V to 15V DC			
Power Consumption	MAX 510mA(@ 12VDC)			
Power Input	Connector			
Video Output	Connector			
Storage Temperature	-20℃ ~ +60℃ (Humidity : 0%RH ~ 90%RH)			
Operating Temperature	-10℃ ~ +50℃ (Humidity : 0%RH ~ 90%RH)			
Dimensions	50(W) x 60(H) x 93(D)			
Weight	278g			

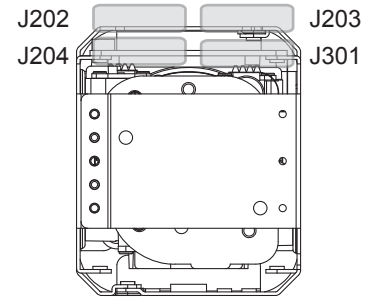
\* Design and specifications are subject to change without notice.

# Pin Assignment

J301	
1	TXOUT3+
2	TXOUT3-
3	TXCLKOUT+
4	TXCLKOUT-
5	TXOUT2+
6	TXOUT2-
7	TXOUT1+
8	TXOUT1-
9	TXOUT0+
10	TXOUT0-
11	GND
12	TxD
13	RxD
14	DC IN
15	DC IN
16	DC IN
17	DC IN
18	DC IN
19	GND
20	GND
21	TXOUT7+
22	TXOUT7-
23	TXOUT6+
24	TXOUT6-
25	TRIG_IN
26	STROBE_OUT
27	TXOUT5+
28	TXOUT5-
29	TXOUT4+
30	TXOUT4-

Ref USL00-30L-C(KEL Cop.)

J202	
1	GND
2	TxD
3	RxD
4	TRIG_IN
5	GND
6	STROBE_OUT
7	GND
8	ADKEY
9	NC
10	D/N-IN
11	NC
12	MD-OUT
13	485-DIR
14	NC
15	GND
16	+5V
17	GND
18	CVBS-OUT
19	GND
20	DC IN
21	DC IN
22	DC IN
23	DC IN
24	DC IN



J204	
1	GND
2	VBS-OUT

Ref 12505WR-02(YEONHO)

J203	
1	GND
2	Y_OUT[0]
3	Y_OUT[1]
4	Y_OUT[2]
5	Y_OUT[3]
6	GND
7	Y_OUT[4]
8	Y_OUT[5]
9	Y_OUT[6]
10	Y_OUT[7]
11	GND
12	C_OUT[0]
13	C_OUT[1]
14	C_OUT[2]
15	C_OUT[3]
16	GND
17	C_OUT[4]
18	C_OUT[5]
19	C_OUT[6]
20	C_OUT[7]
21	GND
22	VSYNC
23	HSYNC
24	GND
25	VCLK_OUT
26	GND
27	GND
28	GND
29	GND
30	GND
31	DC IN
32	DC IN
33	DC IN
34	GND
35	TXD
36	RXD

Ref Hirose : FH12-36S-0.5SH(55)  
FFC Connector

Ref 05002HR-24J05(YEONHO)