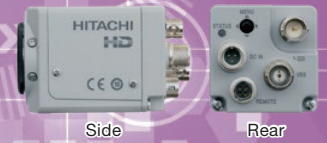


# COMPACT HDTV COLOR CAMERA KP-HD20AW **2MPIX**



Transmit up to 300 meters with a single coaxial cable using a dedicated MULTI-UNIT



## Features

- **Compact Body suitable for Small Space**

Effective size for narrow or limited space: Dimensions; 44mm(w) × 44mm(H) × 57.5mm(D), Weight; approx. 150g.

- **High-Definition Color Video**

Hitachi's Broadcasting Camera Technology enables Full HD 2MPix resolution

- **Multi format outputs available**

SDI :1080p 59.94/50, 1080i 59.94/50, 1080p 29.97/25 VBS output NTSC/PAL

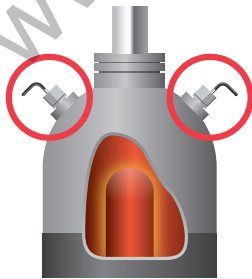
- **Can be observed and monitored from a distance**

Long-distance transmission up to 300m is possible when combined with separately sold MULTI-UNIT (not supported 1080p 59.94/50)

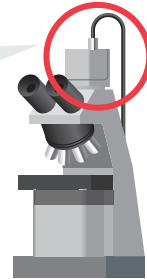
DC power source can be superimposed and transmitted using a single coaxial cable, and four-screen display is also available.

## Narrow space installation, to active in visualization

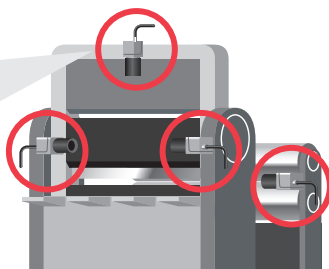
**Furnace condition**



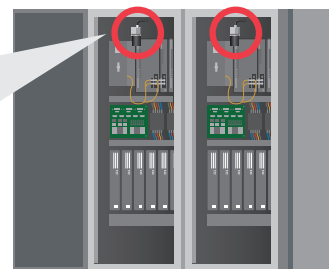
**Microscopic examination**



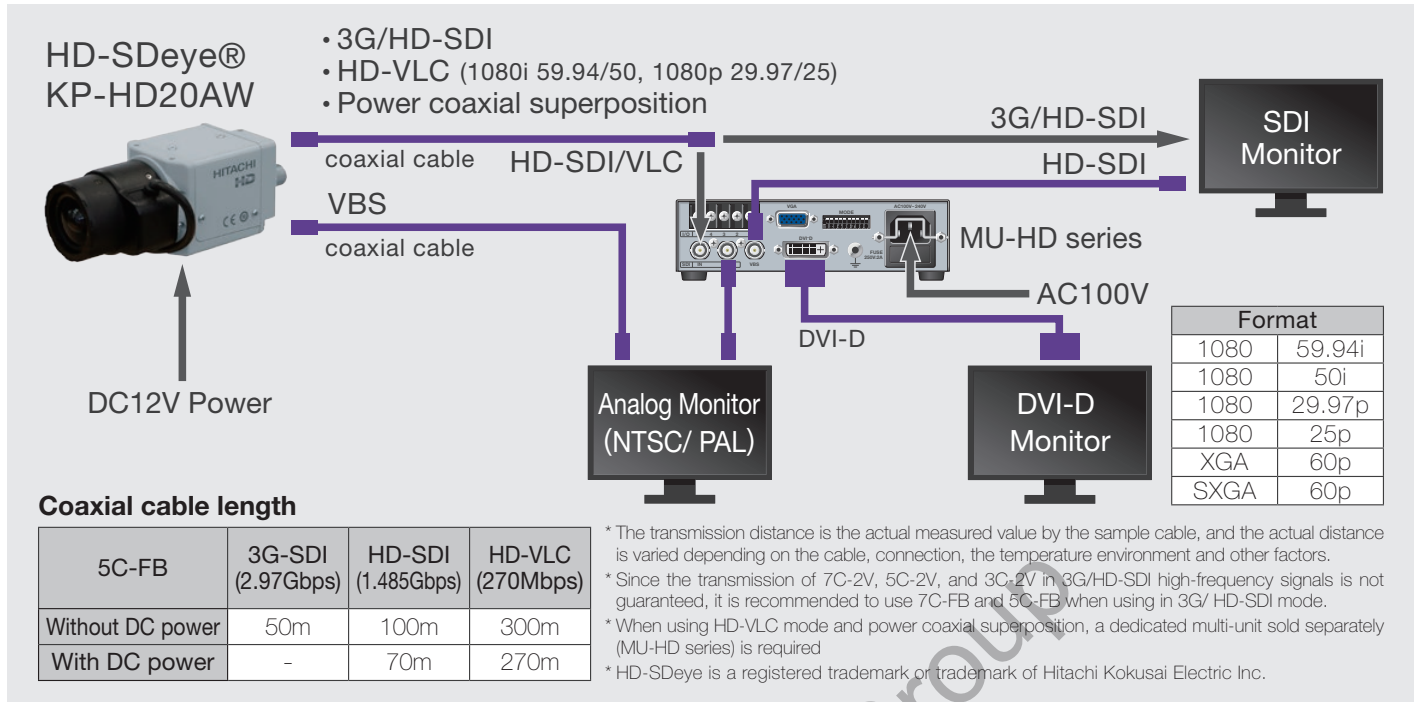
**Equipment conditions**



**Detect abnormal condition**



## ■ System configuration



## ■ Specifications

Items	Specifications
Imaging Method	HDTV(16:9) 1080 59.94p/50p
Imaging Sensor	1/2.8-inch CMOS(RGB Color Bayer)
Number of Pixels	2M Pixels
Effective Pixels	1936(H) x 1100(V)
Video Signal Output	SDI out 0.8Vp-p/75Ω BNC • 3G-SDI 1080p 59.94/50      • HD-SDI 1080i 59.94/50, 1080p 29.97/25 • HD-VLC 1080i 59.94/50, 1080p 29.97/25 *HD-VLC require a dedicated MULTI -UNIT MU-HD series -(sold separately). Dedicated MULTI -UNIT does not support 3G-SDI. VBS out 1.0Vp-p/75Ω BNC • NTSC/ PAL
Mini. Subject Illumination	0.03lx (F1.2, AGC: 66dB, Gamma: High)
AGC	PRESET GAIN (0 to 66dB :1dB step setting available) AGC LIMIT (Max. Gain : 0 to 66dB :1dB step setting available)
Shutter Speed	1/30(1/25), 1/60(1/50), 1/100, 1/250, 1/500, 1/1,000, 1/2,000, 1/5,000, 1/10,000, 1/15,000(1/12,500), 1/37,500(1/31,250), 1/75,000(1/62,500), AES, AES[1/30(1/25)]      *( ) is for PAL setting. AES&LENS[1/1,000], AES&LENS[1/2,000], AES&LENS[1/5,000] VARIABLE 1/30.04~1/75,000 ( PAL:1/25.04~1/62,500 )
Light Intensity Control	AVERAGE/ PEAK: Selectable
White Balance Control	Auto/ Preset/ Manual
Remote Control	RS-232C
Lens Mount	CS/ C Mount (C Mount adapter: sold separately)
Dimensions	Approx. 44(W) x 44(H) x 57.5(D)mm (excluding lens, protrusions)
Mass	Approx. 150g±10% (excluding lens.)
Power Consumption	DC12V±10%/Power Supply superposition with the dedicated Multi-Unit (DC24V) approx. 5.16W
Operation Temp/ Humidity	Atmospheric Temperature: -10°C ~ +50°C    Humidity: 30 ~ 80%RH :No Condensation

This product shall be proceeded in necessary steps under applicable export control laws and regulations before shipment.  
 These specifications are subject to change without notice. All other trademarks are the property of their respective owners.

**⚠ CAUTION :** To ensure safe operation, please read the instruction manual before using this product.