

HDMI / CVBS

ATC- UZ5818M-H

UHD 8.42MP High Resolution
18x Rolling Shutter Zoom Camera



features

- 1/1.8" Progressive Scan STARVIS CMOS
- 216x AF Zoom
(18x optical zoom, 12x digital zoom)
- 4K(3840x2160) 30/25fps
- Mechanical Day&Night
- True WDR
- 3D DNR, Defog
- UART RS232-TTL (Pelco-D, Pelco C, VISCA, Hitachi)

1/1.8"

30/25fps
UHD

18x AF

CMOS

2160p

ZOOM



DNR



MOTION

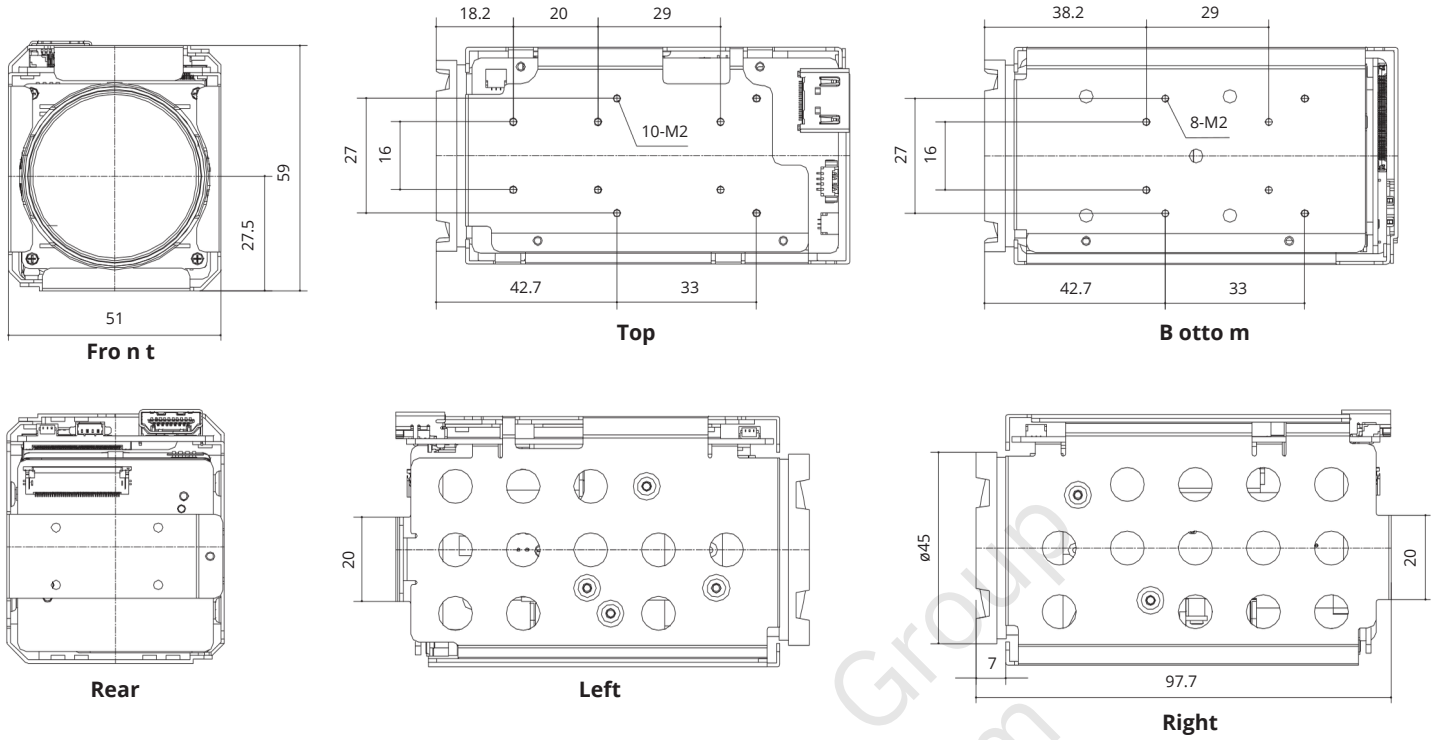
Rolling
Shutter

Specifications

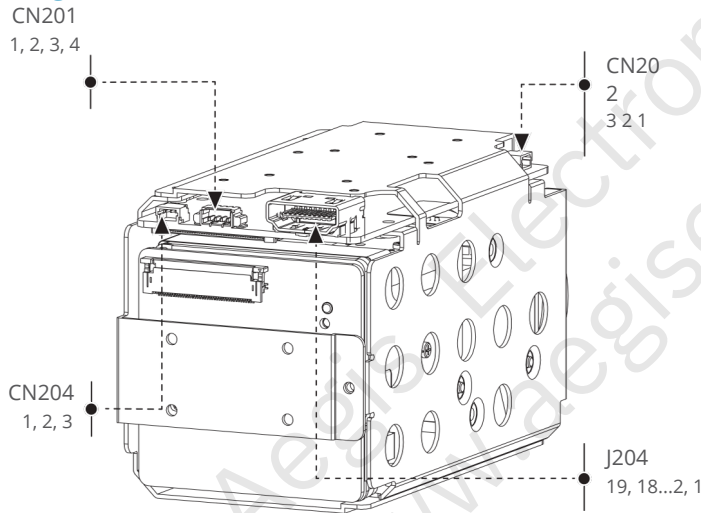
Image Sensor	1/1.8" Progressive Scan STARVIS CMOS
Effective Pixels	8.42MP 3864(H) x 2180(V)
Video Output Mode	Common HDMI(1.4a) / CVBS
Max. Video Resolution	HDMI(1.4a) : 4K(3840x2160)@30(25fps)
Synchronization system	Internal
Min. Illumination	Day mode: 0.1Lux(F1.61) Night mode: 0.07Lux(F1.61/IR-cut filter on) Sens-Up off, AGC45dB
S/N Rate	More than 55dB(AGC off, Sens-Up off)
Lens	Type AF Optical zoom lens(DC Iris), IR Corrective
	Focal Length f=6.8mm~120mm
	F-value F1.61(W)~4.13(T)
	Angle of View Horizontal 58.5°(W)~3.7°(T), Vertical 35.0°(W)~2.1°(T)
Zoom ratio	Optical 18x / Digital 12x
Focus Min.Working Distance	0.1m(Wide)/2.0m(Tele)~∞
Focus Control	Auto/Manual/Interval/One Push/Preset
AE Mode	Auto/Shutter Priority/Iris Priority/ AGC Priority/Manual
Brightness	0~14
Manual Shutter	1/1, 1/2, 1/4(3), 1/8(6), 1/15(12), 1/30(25), 1/60(50)~1/10000
Manual Iris	F1.6~F32, Close
Sense-up	Off~32fields
ETC	Spot AE, Slow AE
D&N Mode	Auto/Day(Color)/Night(BW)/External-H or L
White Balance	AUTO/ATW/Indoor/Outdoor/One Push/Manual
Image Freeze	Off/On
Image Flip	Off/Horizontal/Vertical/H+V(180° Flip)
Privacy Mask Zone	8 Zones/14 mask color selectable

Digital Image Stabilization	Yes
Motion Detection	4 Zones
D-WDR	Off/Low/Middle/High
WDR	Off/On, Adjustable (Level:0~29, Contrast:0~5, Bright:0~19)
BLC	Off/On, Area selectable
HLC	Off/On, Area selectable
AGC	Max.72dB
Sharpness	Adjustable(0~15)
3D-DNR	Off/Auto/Low/Middle/High
2D-DNR	Off/Auto/Low/Middle/High
Defog	Off/On/Auto
Preset	256 position Presets(Zoom,Focus), 16Memory Presets, Custom Preset
Language	English
Remote	RS232 TTL +3.3V
UART Protocol	VISCA/Pelco-D/Pelco-P/ Hitachi: Automatic detection
Baud rate	2400/4800/9600/19200/38400/57600/115200bps
Supply Voltage	12VDC(9V to 15VDC)
Power Consumption	Max.8.7W / Non-working zoom&focus 6.9W
Dimension(mm)	51x59.6x97.6mm
Weight	Approx.277g
Operating Temperature	-10°C~+50°C, Humidity(Less than 90%)
Storage Temperature	-20°C~+60°C, Humidity(Less than 90%)
Remark	

Dimension



Pin Assignment



Pin no.	CN201(CVBS) / Molex : 53261-0471
1	POWER IN: +12VDC
2	GND
3	VIDEO: CVBS Output
4	AD_KEY

Pin no.	CN202(External D&N)/ JST: SM03B-SRSS-TB
1	Ext_D&N: External D&N Input
2	GND
3	+3.3V Out(For sensor)

Pin no.	JST: SM03B-SRSS-TB
	GND
1	RxD: CMOS 3.3V Read Data
2	TxD: CMOS 3.3V Send Data
3	

Pin no.	J204(HDMI)/ 51U019S -30S1N-AR
1	TMDS2+
2	GND
3	TMDS2-
4	TMDS1+
5	GND
6	TMDS1-
7	TMDS0+
8	GND
9	TMDS0-
10	TMDS+
11	GND
12	TMDS-
13	CEC
14	NC
15	DDC_SCL
16	DDC_SDA
17	GND
18	+5VDC
19	HPD