

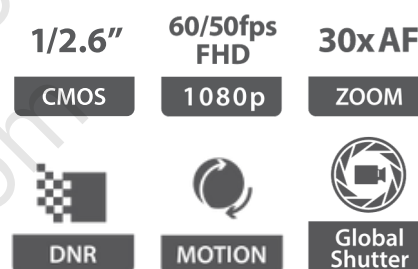
# ATC-HZ8330T-LTA

FHD 2.3MP High Resolution  
30x Global Shutter Zoom Camera



## features

- 1/2.6" Progressive Scan Global Shutter CMOS
- 360x AF Zoom  
(30x optical zoom, 12x digital zoom)
- 1080p 60/50/30/25fps  
720p 60/50/30/25fps, 1080i 60/50fps
- Mechanical Day&Night
- True WDR
- 2D/3D DNR, Defog, DIS
- UART RS232-TTL (Pelco-D/P/C, VISCA)

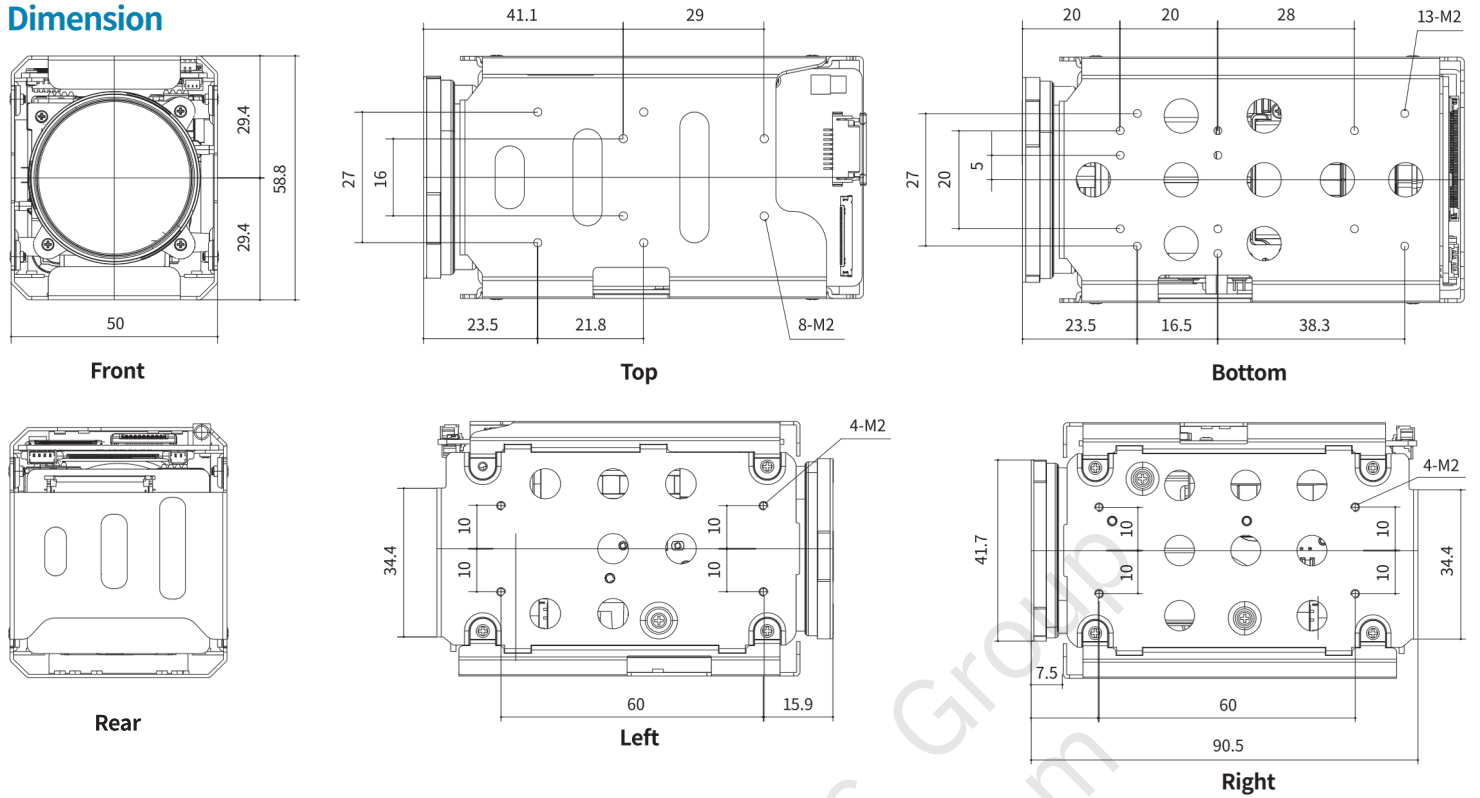


## Specifications

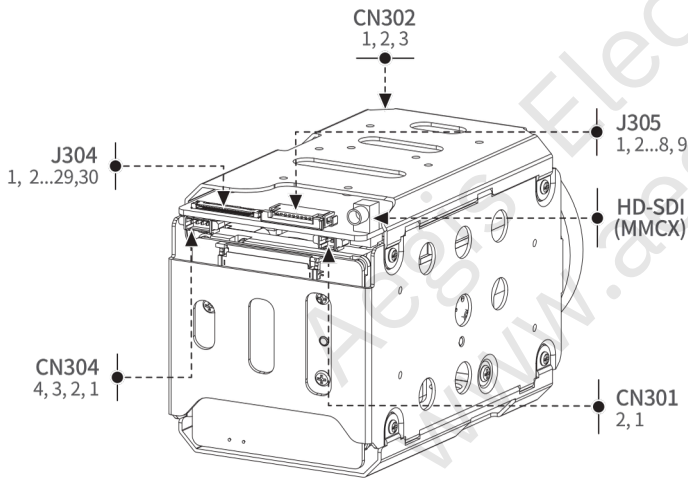
|                                   |                      |  |
|-----------------------------------|----------------------|--|
| <b>Image Sensor</b>               |                      | 1/2.6" Progressive Scan Global Shutter CMOS  |
| <b>Effective Pixels</b>           |                      | 2.3MP 1920(H) x 1200(V)  |
| <b>Video Output Mode</b>          | Common               | HD-SDI/ EX-SDI(V1.0/ V2.0/ V2.1/ V3.0(TBD))// CVBS                                 |
|                                   | AVI/TVI/LVDS         | TVI/AVI/LVDS   |
| <b>Max. Video Resolution</b>      |                      | HD-SDI/LVDS/EX-SDI:1080p@60(50fps)   |
| <b>Synchronization system</b>     |                      | Internal   |
| <b>Min.Illumination</b>           |                      | Day mode: 0.5Lux(F1.6)<br>Night mode: 0.2Lux(F1.6/ ICR on)<br>Sens-Up off, AGC36dB |
| <b>S/N Rate</b>                   |                      | More than 55dB(AGC off, Sens-Up off)   |
| <b>Lens</b>                       | <b>Type</b>          | AF Optical zoom lens(DC Iris), IR Corrective                                       |
|                                   | <b>Focal Length</b>  | f=4.3mm~129mm  |
|                                   | <b>F-value</b>       | F1.6(W)~5.0(T)   |
|                                   | <b>Angle of View</b> | Horizontal 68.9°(W)~2.5°(T),<br>Vertical 41.0°(W)~1.5°(T)                          |
| <b>Zoom ratio</b>                 |                      | Optical 30x / Digital 12x  |
| <b>Focus Min.Working Distance</b> |                      | 0.01m(Wide)/1.0m(Tele)~∞   |
| <b>Focus Control</b>              |                      | Auto/Interval/One Shot/Manual/Presets  |
| <b>AE Mode</b>                    |                      | Auto/Iris Priority/Shutter Priority/Manual   |
| <b>Brightness</b>                 |                      | 1~20   |
| <b>Manual Shutter</b>             |                      | 1/1, 1/2, 1/4(3), 1/8(6), 1/15(12), 1/30(25),<br>1/60(50)~1/30000                  |
| <b>Manual Iris</b>                |                      | F1.6~F19, Close  |
| <b>Sense-up</b>                   |                      | Off~32fields   |
| <b>ETC</b>                        |                      | Slow AE  |
| <b>D&amp;N Mode</b>               |                      | Auto/Color(Day)/B&W(Night)/EXT-H/EXT-L   |
| <b>White Balance</b>              |                      | AUTO/Indoor/Outdoor/One push/ATW/Manual  |
| <b>Image Freeze</b>               |                      | Off/On   |
| <b>Image Flip</b>                 |                      | Off/Horizontal/Vertical/H+V(180° Flip)   |
| <b>Privacy Mask Zone</b>          |                      | 8 Zones/14 mask color selectable   |

|                                    |                  |   |
|------------------------------------|------------------|---|
| <b>Digital Image Stabilization</b> |                  | Yes   |
| <b>Motion Detection</b>            |                  | 4 Zones   |
| <b>D-WDR</b>                       |                  | Off/Low/Middle/High   |
| <b>WDR</b>                         |                  | Off/On,<br>Adjustable(Level: Low/Middle/High)                               |
| <b>BLC</b>                         |                  | Off/0~10, Area selectable   |
| <b>HLC</b>                         |                  | Off/0~20, Color selectable  |
| <b>AGC</b>                         |                  | Max.36dB  |
| <b>Sharpness</b>                   |                  | Adjustable(0~15)  |
| <b>3D-DNR</b>                      |                  | OFF/Auto(Level:0~2)/<br>Manual(Gain:0~255/THLD:0~255/FK:0~255)              |
| <b>2D-DNR</b>                      |                  | OFF/Auto(Level:0~2)/<br>Manual(Gain:0~255/THLD:0~255)                       |
| <b>Defog</b>                       |                  | Off/On(Low/Middle/High)   |
| <b>Preset Position</b>             |                  | 192 position Presets(Zoom, Focus),<br>16Memory Presets, Custom Preset       |
| <b>Language</b>                    |                  | English, Russian, Spanish, German, French,<br>Portuguese, Chinese, Japanese |
| <b>UART</b>                        | <b>Remote</b>    | RS232 TTL +5.0V(+3.3V compatible)   |
|                                    | <b>Protocol</b>  | VISCA, PELCO-D/P/C:Auto Detection   |
|                                    | <b>Baud rate</b> | 2400/4800/9600/19200/38400/57600/115200bps                                  |
| <b>UTC</b>                         |                  | TVI-UTC / AVI-UTC   |
| <b>Supply Voltage</b>              |                  | 12VDC(9V to 15VDC)  |
| <b>Power Consumption</b>           |                  | Max.5.2W / Non-working zoom&focus 3.0W                                      |
| <b>Dimension(mm)</b>               |                  | 50x58.8x90.5mm  |
| <b>Weight</b>                      |                  | Approx.241g   |
| <b>Operating Temperature</b>       |                  | -10°C~+50°C, Humidity(Less than 90%)  |
| <b>Storage Temperature</b>         |                  | -20°C~+60°C, Humidity(Less than 90%)  |
| <b>Remark</b>                      |                  |   |

## Dimension



## Pin Assignment



|      |  |
|------|--|
| Jack | SDI Output connector / MMCX Jack Connector |
|------|--|

| Pin no. | CN301(RS485) / Molex 53261-0271 |
|---------|---------------------------------|
| 1       | TRX+                            |
| 2       | TRX-                            |

| Pin no. | CN302(External D&N) / JST: SM03B-SRSS-TB |
|---------|--|
| 1       | Ext. D&N: External D&N Input             |
| 2       | GND                                      |
| 3       | +3.3V Out(For sensor)                    |

| Pin no. | CN304(TVI/AVI) / Molex 53261-0471 |
|---------|-----------------------------------|
| 1       | POWER IN: +12VDC                  |
| 2       | GND                               |
| 3       | TVI/AVI Output (Select On OSD)    |
| 4       | GND                               |

| Pin no. | J305 / Molex: 52207-0933 / 52207-0985      |
|---------|--|
| 1       | Default GND (Optional: RS485_EN or AD key) |
| 2       | TVI/AVI Output (Select On OSD)             |
| 3       | GND  |
| 4       | CVBS Output                                |
| 5       | GND  |
| 6       | +12VDC                                     |
| 7       | GND  |
| 8       | TXD: CMOS 5.0V Send Data (Compatible 3.3V) |
| 9       | RXD: CMOS 5.0V Read Data (Compatible 3.3V) |

| Pin no. | J304(Micro Co-Axial) / KEL Co.USL00-30L-C  |
|---------|--|
| 1       | TX_OUT3+                                   |
| 2       | TX_OUT3-                                   |
| 3       | TX_CLKOUT+                                 |
| 4       | TX_CLKOUT-                                 |
| 5       | TX_OUT2+                                   |
| 6       | TX_OUT2-                                   |
| 7       | TX_OUT1+                                   |
| 8       | TX_OUT1-                                   |
| 9       | TX_OUT0+                                   |
| 10      | TX_OUT0-                                   |
| 11      | GND  |
| 12      | TXD: CMOS 5.0V Send Data (Compatible 3.3V) |
| 13      | RXD: CMOS 5.0V Read Data (Compatible 3.3V) |
| 14      | +12VDC                                     |
| 15      | +12VDC                                     |
| 16      | +12VDC                                     |
| 17      | +12VDC                                     |
| 18      | +12VDC                                     |
| 19      | GND  |
| 20      | GND  |
| 21      | TX_OUT7+ : Single out mode (open)          |
| 22      | TX_OUT7- : Single out mode(open)           |
| 23      | TX_OUT6+ : Single out mode(open)           |
| 24      | TX_OUT6- :Single out mode(open)            |
| 25      | CVBS Output                                |
| 26      | RESET_IN :Reset - Low(GND), Normal(1.8V)   |
| 27      | TX_OUT5+ : Single out mode (open)          |
| 28      | TX_OUT5- : Single out mode (open)          |
| 29      | TX_OUT4+ : Single out mode (open)          |
| 30      | TX_OUT4- : Single out mode (open)          |