

Full HD 1920x1080 in a Compact Form Ideal for Remote Viewing

Introducing AF Zoom Cameras:

AEG-9500-SDI (HD-SDI)

Incorporating Sony's latest

Starvis Sensor 2 1080P and Auto Focus camera,

our new complete camera assemblies offer a perfect

solution for applications requiring a zoom or auto focus remote

viewing Industrial camera that is configurable

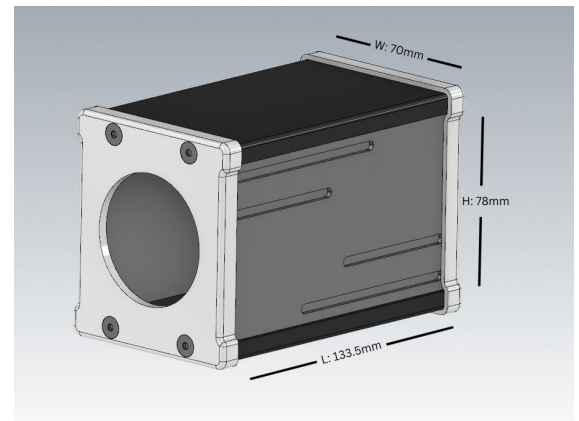
to your specific needs.



Ideally suited for Remote Viewing, Low Vision, Broadcast, POV, Industrial Inspection, and many more.

Key Features Include:

- 1/2.8-type ExmorR Starvis Sony CMOS sensor
- 30X Optical Zoom
- Auto Focus
- 0.1 Lux
- Day/Night Mode
- Auto White D mode
- E-Flip
- Mirror Image
- 1/4-20 Standard Mounting Bracket
- All cameras are RoHS Compliant



**POINT OF
VIEW**



Aegis
ELECTRONIC GROUP, INC
Phone 760-729-2026 www.aegis-elec.com

OPTIONAL

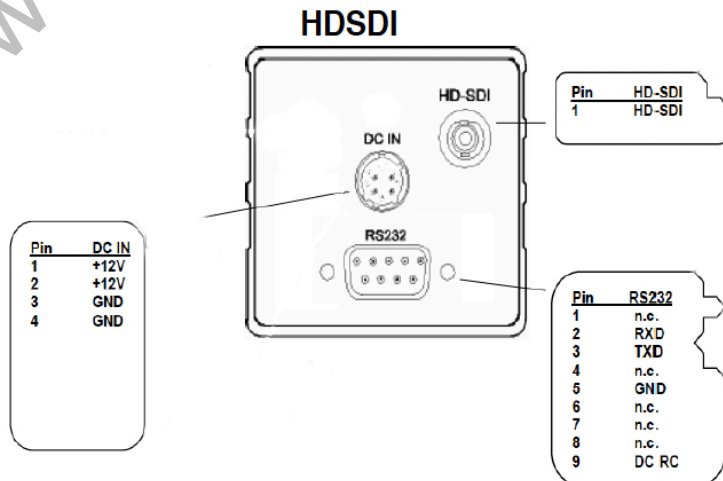
ACCESSORIES:

- (ACY415A)
- 12V DC Power Supply for
- Push Button Controller -
- BNC Cables (2m, 5m, 10m)
- RS232 Cables (2m, 5m, 10m, 15m)
- Video Cables
- HDSDI Cables

Specification:		
Image sensor	Progressive scan CMOS image sensor 1/2.8type Exmor R Starvis	
	Number of total pixels (H) x(V)	1,952 x 1,236, 2.41 M pixels
	Number of effective pixels (H) x(V)	1,944 x 1,224, 2.38 M pixels
	Number of recommended recording pixels (H) x(V)	1,920 x 1,080
Lens	Focal length	4.3 [mm] to 129 [mm]
	Magnification	30X
	Horizontal angle of view	63.7[degree] (Wide) 2.3[degree] (Tele)
	F value	F1.6 (Wide) to F4.7 (Tele)
Control mechanics	Zoom motor	Stepping motor
	Focus motor	Stepping motor
	Iris	Auto / Manual
	White Balance	Same
Output mode	HD	1080p/59.94,1080p/50,1080i/59.94,1080i/50,1080p/29.97, 1080p/25,720p/59.94, 720p/50, 720p/29.97, 720p/25
I/O pins	Image signal I/O	HD-SDI
	Control signal I/O	VISCA protocol
Power, others	Power supply	DC 12.0 [V]
	Power consumption	3.2W (Typ. at draft mode, Lens actuator not included)
	Storage temperature	-20 to +60 [degree] / 20 [%] to 95 [%]
	Operating temperature	-5 to +60 [degree] / 20 [%] to 80 [%]
	Package dimensions	W= 70mm H=78mm L=133.5mm
	Accessories Included	1/4-20

*All specification information is preliminary and subject to change without notice

Camera Pin Out



For more information on any of our products or services please **contact us:**

Tel: 760-729-2026

Fax: 760-729-9295

