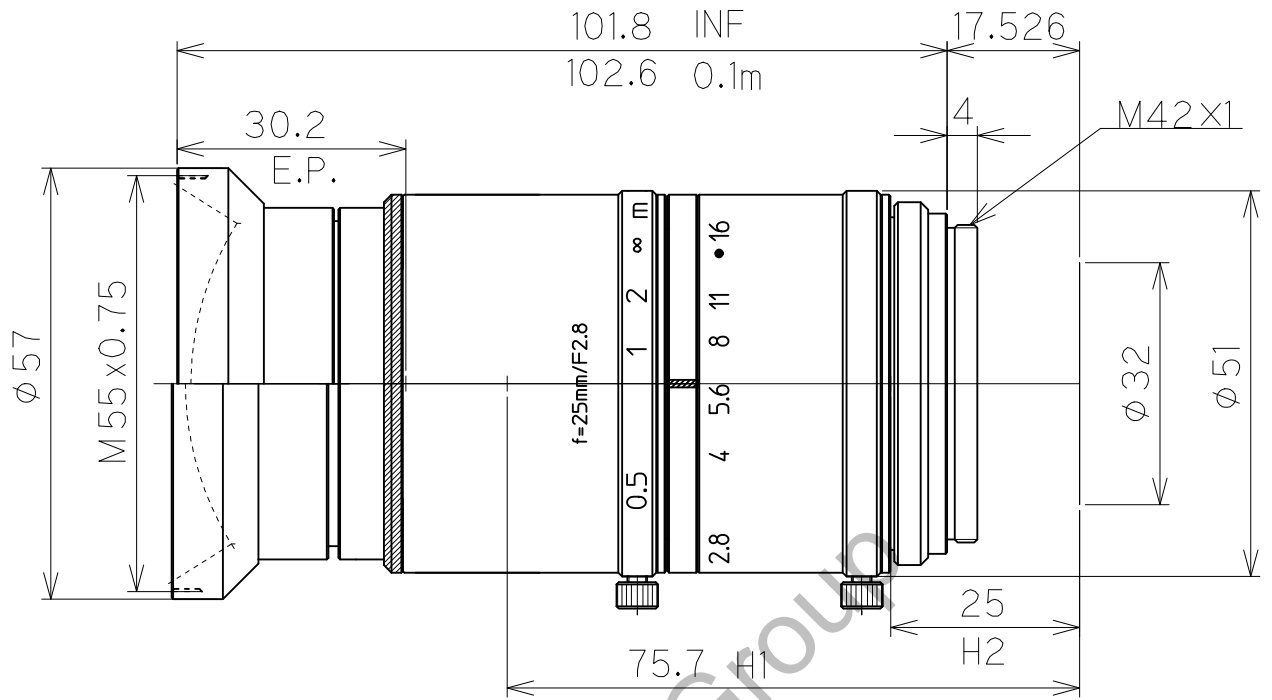


CONFIDENTIAL

環境関連物質管理規定に準拠



2" 2.8/25mm	2"	APS-C	4/3"
FOCAL LENGTH	f=25mm		
F-NUMBER	F=2.8-16		
PICTURE SIZE	25.6x19.6mm	22.3x16.7mm	18.4x13.8mm
ANGLE OF VIEW (∞)	VER. ANGLE	42.0°	37.0°
	HOR. ANGLE	54.0°	48.0°
	DIA. ANGLE	64.6°	57.9°
DISTORTION (TV)	0.59%	0.34%	0.15%
FIELD OF VIEW (MINIMUM FOCUS DISTANCE)	VER.	93mm	81mm
	HOR.	125mm	109mm
	DIA.	157mm	136mm
MINIMUM FOCUS DISTANCE	0.1m		
FLANGE BACK	17.526mm in air		
BACK FOCUS	20.3mm in air		
FILTER SCREW-SIZE	M55x0.75		
FRONT/REAR EFFECTIVE DIA.	FRONT φ42.4mm		REAR φ24.6mm
MOUNT	M42x1		
EXIT PUPIL	-54.1mm		
TEMPERATURE RANGE	-10~+50°C		
STORAGE TEMPERATURE RANGE	-20~+60°C		
RESOLUTION CENTER/CORNER	CENTER 160lp/mm		CORNER 100lp/mm
WEIGHT	400g		

NOTE: Specifications and availability are subject to change without notice

注) 本仕様については、予告なしに変更する場合があります。

		尺度	1/1	工場番号	LM25VM42
		機種名	2" F2.8 / f=25mm		
		機種番	LM25VM42		
2020.12.8	作成年月日	S10-681			