

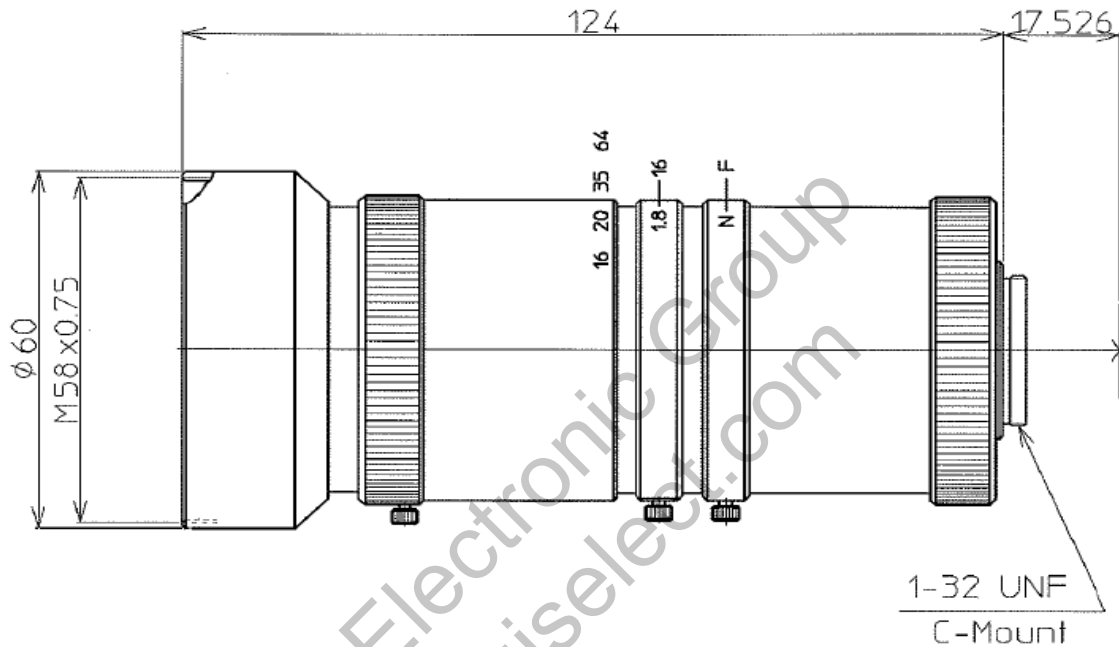


ELECTRONIC GROUP, INC

480-635-8400 p * aegis-g2@aegiselect.com

http://www.aegis-elec.com

LMVZ166HC



Model	LMVZ166HC
Focal Length (mm)	16~64
Image Size (mm)	1" (Ø16)
Iris Range (F-Stop)	F1.8~F16
Focusing Range (m)	1
Iris Control	Manual
Focus Control	Manual
Angle of View (degrees)	45.9X34.2~11.7X8.8
View (degrees)	31.3X23.4~8.1X6.1
View (degrees)	22.7X17.0~5.9X4.4
Distortion	-3.4%~0.2%
Back Focus in Air (mm)	28.2~33.6
Mount	C-Mount
Filter Size (mm)	M58XP0.75
Size (mm)	Ø60X124
Weight (g)	370
Temperature Range	-10°C ~ 45°C