

# VT-TPTZ25HRAN-4PNL

Transcendent Gen. IV 4 MegaPixel 25x NDAA Compliant IP PTZ with A.I. Powered Facial Recognition and Auto-Tracking

## KEY FEATURES

- 1/2.7" BSI and NIS (Backside-Illuminated and Near-Infrared Sensing) 4 MegaPixel Progressive Scan CMOS STARLIGHT Sensor
- Up to 4 MegaPixel (2560 x 1440) Max Resolution @ 30fps
- Ultra High-Speed Pan / Tilt / Zoom with 25x Optical Zoom Lens (4.8-120mm Focal Length)
- 3.6s Zoom Speed (Optical, Wide-Tele), F1.65~F3.8 Aperture Range
- Smart IR with up to 525' (160m) IR Range
- Smart H.265+/H.265/H.264+/H.264/MJPEG Compression
- Real-Time Auto Zoom Tracking: Transcendent Gen. IV IP PTZ Cameras feature the Most Advanced PTZ Auto-Tracking Available, Powered by A.I.
- Gen. IV Advanced Analytics: Intrusion Detection, Line Crossing, Region Entrance / Exit, Target Counting [All by Human / Vehicle Classification] Scene Change, Face Detection / Capture
- Backlight / Highlight Compensation, Auto-White Balance, Gain Control, Day / Night
- True 120dB WDR (Wide Dynamic Range)
- 360 Presets, 8 Cruises, up to 16 Presets / Cruise + 4 Tracks (3+ Min. Recording / Track)
- 1 Ch. Audio In + Out\*
- 1 Ch. Alarm In + Out
- Advanced Starlight Technology Offers Dramatically Higher Sensitivity to Light, Producing Color Images in Very Dark & Night Scenes
- True Day/Night with ICR Cut Filter with Auto/Manual Gain Control
- 360° Endless Pan Range, Configurable Speed: .1~200°/s + 240°/s Preset
- Built-in MicroSD Card Slot, Supporting Local Recording up to 256GB
- IP66 Ingress Protection + IK10 [Excluding Glass] Impact Rating
- 12VDC Power [12VDC 3Amps Power Supply Included in Package] or PoE+ (802.3at, class 3) \*PoE Injector Required for PoE Power\* See Rear Page
- Reset Button, Heater, Fan, Water Removal with Quick Spinning
- 1 RJ45 10M/100M Adaptive Ethernet (Supports PoE 802.3at)
- Optional Pendant, Semi-Flush, Corner, Pole, and Wall Mounts Available (see rear page)
- Compact Aluminum Alloy + Plastic (Glass Fiber 15%) Housing -- see rear page for full dimensional drawings
- 3-Year Warranty

\*Please research local, state and federal laws regarding the implementation of audio surveillance



Shown with Optional Wall Mount VT-TPT25HR-WMG

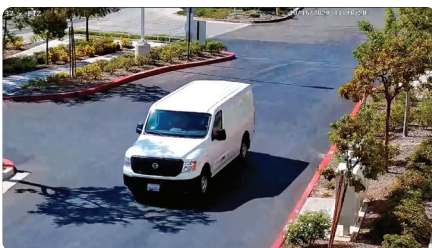


## TRANSCENDENT "GEN IV" SERIES PTZ IP CAMERA WITH AI POWERED FACIAL RECOGNITION AND AUTO-TRACKING!

The Transcendent VT-TPTZ25HRAN-4PNL NDAA Compliant High-Speed IP Pan / Tilt / Zoom (25X Optical) Camera with Programmable (Smart) Auto-Tracking, features a Deep-Learning Engine with a powerful Computer Vision and Digital Signal Processor. This supports multiple Advanced Analytic functions including Face Recognition (FR), and Vehicle / Human Detection. Up to 15 targets (vehicle, human, 2-wheel) can be simultaneously detected with real-time Auto Zoom tracking. It also features IP66 Ingress Protection and Smart IR with a range of over 500'. Power supply included in package.

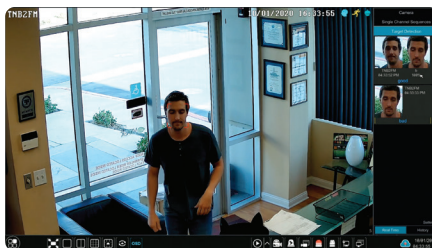


## THE TRANSCENDENT "GEN IV" SERIES DELIVERS ADVANCED A.I. TECHNOLOGY:



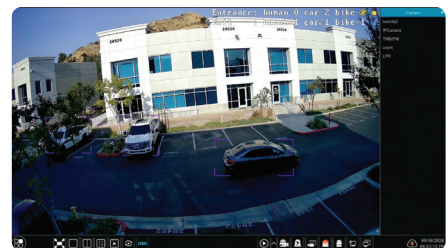
### REAL-TIME AUTO ZOOM TRACKING

Transcendent GEN IV IP PTZ Cameras feature the most advanced PTZ Auto-Tracking available, powered by A.I.!



### AI FACIAL RECOGNITION

Transcendent GEN IV Advanced Analytics deliver improved Facial Recognition, with up to 95% accuracy!



### INTELLIGENT CAR COUNTING

Intelligent tracking is also capable of counting people, cars, and bicycles entering and exiting the camera's view

An Eye On Innovation



# VT-TPTZ25HRAN-4PNL



## SPECIFICATIONS

Image Sensor	1/2.7" BSI (Backside-Illuminated) and NRI (Near-Infrared Sensing) Progressive Scan STARLIGHT CMOS Sensor
Pixel Size	2.0um
Effective Pixels	2884(H) × 1624(V)
Resolution	4.0 MegaPixel (2560 ) Resolution @ 30fps
Min. Illumination	Color: 0.01 Lux @ (F1.65 AGC On) B/W: 0.002 Lux @ (F1.65 AGC On), 0 Lux w/IR
Image setting	Flip, Mirror, Saturation, Brightness, Contrast, Sharpness, AGC, (Adjusted by Client)
Shutter Speed	60Hz (NTSC): 1/30s ~ 1/30,000s, 50Hz (PAL): 1/25s ~ 1/25,000s
White Balance	Auto / Manual / Indoor / Outdoor
Day / Night	True Day/Night via ICR Cut Filter + Schedule [Auto/Manual Gain Control]
Iris Control	Auto / Manual
SNR	≥52dB
DNR	XD-DNR (3D-DNR / 2D-DNR) - Auto/Manual
WDR	True WDR (120dB)
IR Type / Distance	Smart IR - Up to 525' IR Range (160M)
Smart IR	Yes
Image Enhancement	Backlight Compensation (BLC), Highlight Compensation (HLC)
Privacy Mask	4 Areas, up to 4 Masks in a Single Frame
Overlay Features	Picture: Custom Logo on video [128x128px], 24bit BMP, OSD: Max 15 Character / Line, 8 Lines, White or Red Font
Lens / Focal Length	4.8~120mm Lens (25x Optical Zoom) w/3.6s Zoom Speed, and Digital Zoom
Zoom Speed	Approx. 3.6s (Optical Zoom, Wide Tele)
Field of View (FOV)	Horizontal: 55°~2.4° / Vertical: 33°~1.4° / Diagonal: 61.5°~2.8° (Wide-tele) **All listed speeds + / - 5%
Working Distance	Wide: 1.0m ~ INF, Tele: 1.5m ~ INF
Aperture Range	F1.65 ~ F3.8 (wide-tele)
Iris Type	Auto DC-IRIS, 16 Stops
IR Cut type	Removable IR Cut filter
D.O.R.I. (US)	<b>Detect</b> (8px/ft): 7874', <b>Observe</b> (19px/ft): 3124', <b>Recognize</b> (38px/ft): 1575', <b>Identify</b> (76px/ft): 787'
D.O.R.I. (Metric)	<b>Detect</b> (25px/M): 2400M, <b>Observe</b> (63px/M): 952M, <b>Recognize</b> (125px/M): 480M, <b>Identify</b> (250px/M): 240M
Pan Range / Speed	360° Endless, Configurable from .1°/s ~ 200°/s; Preset speed: 240°/s
Tilt Range / Speed	-10°~90° [Auto-Flip] / Configurable, from 0.1/s~200°/s, Preset speed: 240°/s
PTZ Features	Proportional Zoom, Pwr-Off Memory, 3D Position, PTZ Position Display
Preset / Cruise	360 / 8 Cruises, Up to 16 Presets for Each Cruise
Tracks	4 Tracks, Record Time Over 3 Minutes for Each Track
Scheduled Tasks	Preset / Cruise / Track / Random Scan / Boundary Scanning / Dome Reboot
Max Resolution	2560x1440 (16:9 Aspect Ratio)

# VT-TPTZ25HRAN-4PNL



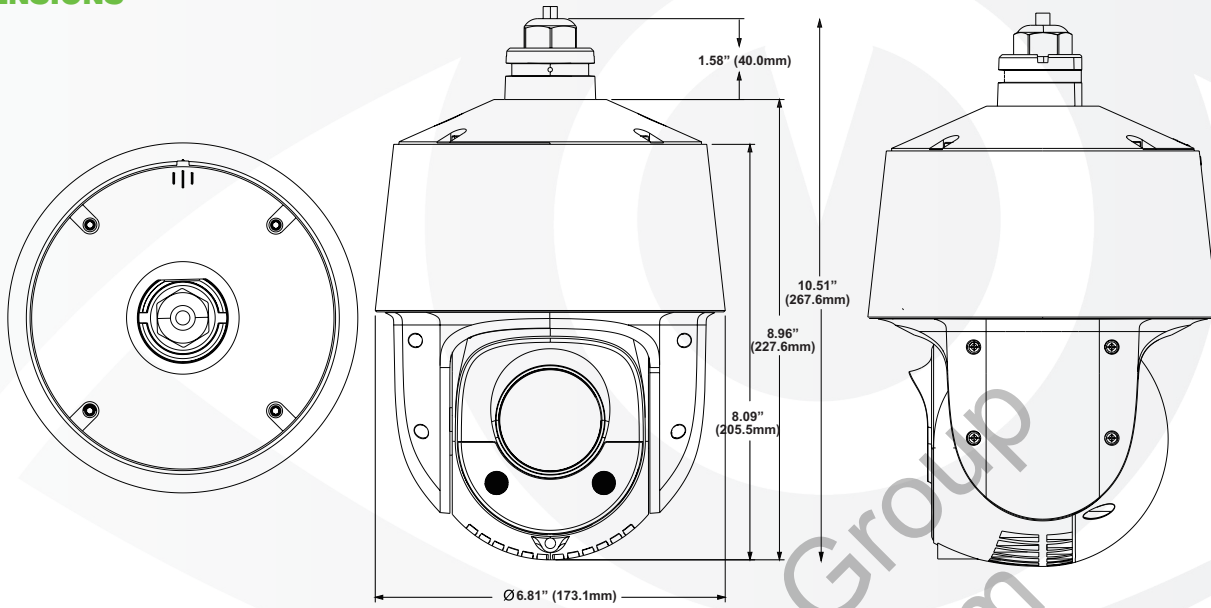
## SPECIFICATIONS (Continued)

<b>Main Stream</b>	30fps: 2560×1440,1920×1080,1280×960,1280×720
<b>Sub Stream / Third Stream</b>	Sub: 60Hz: 30fps (704 × 480, 640 × 480, 352 × 240) / Third: 30fps @ 1920×1080 (1080p) and Lower
<b>Video Compression (Standards)</b>	H.265+/H.265/H.264+/H.264/MJPEG (H.265: H.265 / HEVC Codec MP, Level 5.0, H.264: H.264/AVC codec BP/MP/HP, Level 5.1)
<b>Video Bit Rate</b>	64Kbps to 8Mbps
<b>Audio Compression / Bit Rate</b>	G.711A/U / 64Kbps
<b>Deep Learning Engine</b>	Supports Face Recognition (FR) up to 15 Human Faces / Sec (max), Human/Vehicle Detection
<b>Smart Auto Tracking</b>	Auto Tracking (supports tracking specified target types such as human and vehicle), Manual Tracking
<b>Basic Event Detection</b>	Motion detection, Video Tampering, Exception (Network Disconnected, IP Address Conflict, SD Card Full / Error)
<b>Smart Event Detection</b>	Trip Wire (+ Bi-Directional), Intrusion / Line Crossing / Region Entering + Exiting, Support Alarm Triggering by Specified Target Types (Human / Vehicle), Un-attended Baggage, Object Removal, Auto / Manual Smart Tracking
<b>Gen. IV Advanced Analytics</b>	Face Detection (15 faces simultaneously), Detect, Track, Capture + Vehicle / Non Vehicle Detection & Tracking
<b>Protocols</b>	HTTP, HTTPS, IPv4/IPv6, 802.1x, QoS, FTP, SMTP, UPnP, SNMP, DNS, DDNS, NTP, RTSP, RTCP, RTP, TCP/IP, UDP, DHCP, PPPoE
<b>Audio Interface</b>	1 Audio Input (MIC in), 1 Audio Output, Line Level, Impedance, 600Ω
<b>Alarm Interface</b>	1 Alarm Input (Dry Contact); 1 Alarm Output
<b>Alarm Linkage</b>	Alarm Actions, Including Preset, Cruise, Track, Memory Card Video Record, Trigger Recording, Upload to FTP/Memory, Card, Send Email
<b>Live View Connections</b>	Up to 6 Simultaneous Live View Connections
<b>User/Host</b>	Up to 16 users, 3 levels: Administrator, Advanced and Normal Users
<b>Security Measures</b>	User Authentication (ID and PW), Host authentication (MAC address); HTTPS encryption., IEEE802.1x port-based net account control; IP address filtering
<b>Web Browser</b>	Internet Explorer (IE) - Plug-in Required, Edge in IE Mode
<b>API</b>	ONVIF, Third-Party Integration
<b>CVBS (BNC), RS485</b>	NA
<b>On-Board Storage</b>	Built-in microSD/SDHC/SDXC card slot, up to 256GB
<b>Network Interface</b>	1 RJ45 10M/100M Adaptive Ethernet (Support PoE+ 802.3.at)
<b>Thermal / Weather Management</b>	Internal Heater and Fan + Quick Spin Water Removal
<b>Reset Button</b>	YES
<b>Working Environment</b>	-40°F~-140°F (-40°C~60°C), 90% RH [STORAGE CONDITIONS: -40°F~158°F (-40°C~70°C), 95% RH]
<b>Cold Start</b>	-22F / - 30°C (30 Minutes Waiting Time), 90% RH
<b>Weather / Impact / Protection</b>	IP66 + IK10 (Excl. Glass Window), 6000V (Lightning, Surge, and Voltage Transient Protection)
<b>Power</b>	12VDC @ 3amps, PoE+ (23W with IR on, PTZ on, Heater + Fan on) <b>*Power Supply Included, **PoE Injector Required for PoE Power</b>
<b>Dimensions and Weight</b>	6.81" × 10.51" (173mm × 268mm), NET: 4.85lb (2.2kg) / SHIPPING: 7.50lb (3.4kg)

\*Please research local, state and federal laws regarding the implementation of audio surveillance

# VT-TPTZ25HRAN-4PNL

## DIMENSIONS



## OPTIONAL MOUNTS & POPULAR ACCESSORIES



**VT-TPT20HR-FM**  
Semi-flush Mount for VT-TPTZ25HRAN-4PNL



**VT-TPT25HR-WMG**  
Optional Universal Gasket Wall Mount for Transcendent IP PTZs



**VT-TPT20HR-PM**  
Optional Ceiling/Pedestal Mount for Transcendent IP PTZs, including VT-TPTZ25HRAN-4PNL



**VT-TPLMT-W**  
Transcendent Universal Pole Mount Adapter - White (reqs. VT-TPT25HR-WMG)



**VT-TCNMT-W**  
Transcendent Universal Corner Mount Adapter - White (reqs. VT-TPT25HR-WMG)



**VT-TWM36**  
Optional 3' (1M) Extended Wall Mount - White



**VT-TPLM36**  
Optional 3' (1M) Extended Pole Mount Bracket - White



**VT-TCNM36**  
Optional 3' (1M) Extended Corner Mount Bracket - White



## INCLUDED POWER SUPPLY

12VDC 3amp Power Supply



## VT-POE60

60 Watt POE Mid-Span Injector, 4-Pair Compliant

## VT-POE95

95 Watt POE Mid-Span Injector, 4-Pair Compliant



**Pair With Transcendent IP NVRs, HDA DVRs, Bridge or Spire Series Recorders!**

*Pair with one of several VITEK Transcendent Series Network or Digital Recorders offering a Myriad of Advanced Analytic Functions and Applications! See [www.vitekctv.com](http://www.vitekctv.com) for More!*

An Eye On Innovation

