

VTC-TNB16X4MS

Transcendent Series 16 MegaPixel H.265 Indoor / Outdoor Multi-Sensor (1/1.8" x 4) 180° Panoramic IP Camera

KEY FEATURES

- 1/1.8" BSI (Back Side Illuminated) 4 MegaPixel Progressive Scan CMOS STARLIGHT Sensor x 4
- Four 1/1.8" 4.0 MegaPixel Progressive Scan CMOS Image Sensors
- Resolution of up to 5520 x 2400
- 4 x 4.5mm Fixed Lens
- 1s~1/10,000s; Auto/Manual Electronic Shutter
- 8 IR LEDs, up to 75' IR Range (with 180° Array)
- Digital Wide Dynamic Range (D-WDR)
- Programmable Analytics Including: Motion Detection, Line Crossing, Region Entrance / Exit Detection, Video Tampering, Exception
- True Mechanical Day/Night function by ICR
- XD-DNR (2D & 3D-DNR) Noise Reduction
- Field of View Capacity: Pan (180°), Tilt (85°)
- Smart H.265 / H.264 / MJPEG Triple Streaming
- Single IP Address Input Required
- Remote View via CMS, IE, iOS & Android Apps
- MicroSD Memory Card Slot for Local Recording (up to 256GB)
- IP67 Weather Resistance + IK10 Impact Rating
- 1 Ch. In, 1 Ch. Audio Out*, 1 Ch. Alarm In + Out, CVBS
- 12VDC & PoE+ (Power over Ethernet) Operation
- **J-Box VT-TJB010 Included** and Universal Corner and Pole Mount Adapters Available -- see pg. 3
- 3-Year Warranty

*Please research local, state and federal laws regarding the implementation of audio surveillance.



FOUR-IMAGES-STITCHED INTO ONE

Perspective is everything! Vitek Peri-Cam Technology Produces a Seamless Ultra-High Resolution 180° Field of View with a Greater Depth of Field than a Fisheye. The VITEK VTC-TNB16X4MS Multi-Sensor PeriCam HD Network Camera with 180° Panoramic View Utilizes Four Separate 1/1.8" 4MP Progressive Scan CMOS Image Sensors (16MP Total), and Four 4.5mm Fixed Lenses to Produce a Seamless High Quality Single Image of Large Surveillance Area.

180 DEGREE FIELD OF VISION:



VTC-TNB16X4MS



Image Sensor	4 × 1/1.8" 4.0 Megapixel Progressive Scan CMOS
Image Size	16 MegaPixel: 5520 × 2400
Electronic Shutter	1s -1 / 10,000s (Auto / Manual)
Min. Illumination	Color: 0.008Lux @ (F2.0 AGC ON) B/W: 0.001Lux @(F2.0 AGC ON), 0 Lux with IR
Lens	4.5mm Fixed Iris Lens × 4
Day/Night	True Day / Night by ICR
Digital Zoom	16×
IR LEDs / Type / Distance	8 / Smart IRs / 75' w/ 180 Degree Array
Video Compression	H.265 / H.264 / MJPEG
Audio Compression	G.711A / G.711U
Resolution	5520 × 2400, 3840 × 1680, 2784 × 1200 (30/25fps)
DNR	XD-DNR (2D-DNR & 3D-DNR)
Other	Electronic DeFog, Picture Overlay, 4 Programmable Privacy Masks, HLC, BLC,
Image Setting	Flip, Mirror, Saturation, Brightness, Contrast, Sharpness, AGC, AWB adj. by Client Software/Browser
Analytics	Motion Detection, Line Crossing, Region Entrance / Exit, Video Tampering, Exception
Smart Alarm	SD Card Record, Triggering Record, Notify Control Center, Uploading SD Card, Sending e-mail
Alarm In / Alarm Out	1 Ch. Alarm In + 1 Ch. Alarm Out
ROI	Each ROI to be Configured Separately
Network	RJ45 10M / 100M Ethernet Port, PoE+ (802.3at)
Security Measures	User Authentication, Host Authentication (MAC address); HTTPs encryption; IEEE802.1x Port-based Network Access Control; IP Address Filtering
Network Protocols	HTTP, HTTPS, IPv4/IPv6, 802.1x, QoS, FTP, SMTP, UPnP, SNMP, DNS, DNS, NTP, RTSP, RTCP, RTP, TCP/IP, UDP, IGMP, ICMP, PPPoE, DHCP
Audio	1 × In & 1 × Out (Two-Way Audio)*
Storage Card Slot	Supports One MicroSD up to 256GB
Remote Viewing	CMS / Web Browser / Mobile (iOS / Android)
RS 485	1 CH, Pelco-D/P Protocol, Custom Protocols Available
Supported Browsers	Internet Explorer 8-11, Edge in IE Mode
Connection Protocol	ONVIF, API, SDK
Ingress / Impact Rating	IP67 / IK10
Power	12VDC / PoE+ (802.3at), Max 25W with IR On
Working Environment	-22°~140 (-30°C ~ 60°C) / <90% Humidity, Cold Start at -4°F (-20°C)
Dimensions L × W × H	11.35" × 6.29 " × 5.24" (288.4mm × 159.7mm × 137.7mm)
Weight	74 oz. / 4.62 lbs. / 2.1kg

*Please research local, state and federal laws regarding the implementation of audio surveillance.

VTC-TNB16X4MS



OPTIONAL MOUNTS & POPULAR ACCESSORIES

VT-TJB010W
INCLUDED Junction box for Cable Management



VT-TJB010W
INCLUDED Junction box for Cable Management



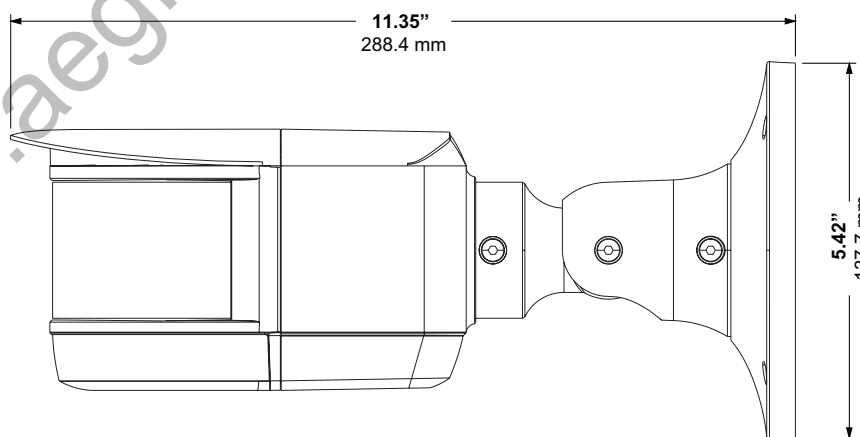
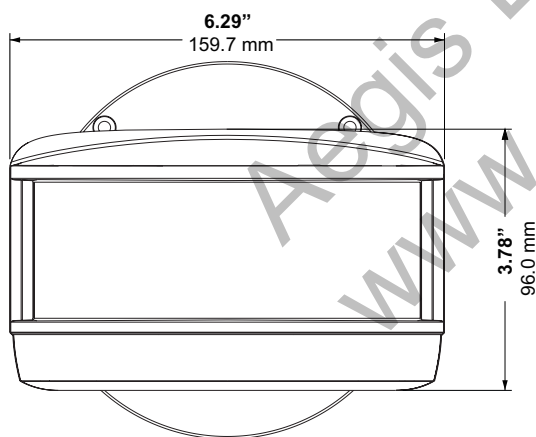
VT-TJB010W
INCLUDED Junction box for Cable Management



VT-POE95
VT-POE60
95/60W PoE Mid-Span Injector, 4-Pair Compliant



DIMENSIONS



Pair with one of several VITEK Transcendent Series Network or Digital Recorders offering a Myriad of Advanced Analytic Functions and Applications. See www.vitekccv.com for More!

Firmware and Features may be upgraded periodically – Please contact your VITEK Representative for complete information on updates and downloads.

**An Eye On
Innovation**

