

SPEC. INFO	FL-CC0820-5MX	K66886-S001-B13
		Aug. 30. 2019

1. Model FL-CC0820-5MX
2. Application For 2/3 Format Camera

3. Specification

3-1. Physical (As per the attached drawing)

- (1) Dimensions ϕ 33.0 mm × 43.0 mm
- (2) Weight 78 g
- (3) Mount C-Mount (1 – 32 UN – 2A)
- (4) Filter Screw Size M30.5 mm , P = 0. 5 mm

3-2. Optical

- (1) Focal Length 8 mm ± 5%
- (2) Max. Aperture Ratio 1: 2.0
- (3) Iris Range F / 2.0 to F / 16
- (4) Angle of View Diagonal 70.1°
Horizontal 58.5°
Vertical 45.3°
- (5) Picture format 8.8 mm × 6.6 mm
- (6) Focusing Range Inf. to 0.1 m
- (7) Back Focal Length 13.0 mm (in air)
- (8) Flange Back Length 17.526 mm ± 0.05 mm (in air)

3-3. Mechanical

- (1) Focusing Mechanism Rotation Angle 56°
Rotation Torque 1.0N·cm to 9.0 N·cm
Focus Ring can be fixed at any positions by
3 fixing screws or 1 thumb screw (refer to external view)
- (2) Iris Mechanism Non-click
Rotation Angle 83°
Rotation Torque 0.01N·cm to 3.0 N·cm
Iris Ring can be fixed at any positions by 3 fixing screws
or 1 thumb screw (refer to external view)

3-4. Vibration & Shock Test Standard

(1) Vibration Conditions

Wave	Sine Wave
Acceleration	1.96 m/s ² to 59.78 m/s ²
Cycle Range	10 Hz to 55 Hz
Cycle Period	3 Minutes
Duration of Vibration	120 Minutes Respectively in Three Dimensional Directions

(2) Shock Conditions

Tester	Shock Testing Machine by Dropping
Impact Force	588 m/s ²
Duration of Shock	3.5 ms
Directions & Number of Times	1 Time Respectively in Three Dimensional Directions

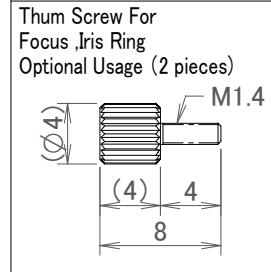
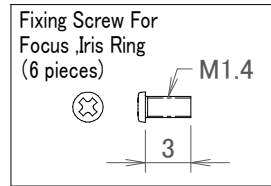
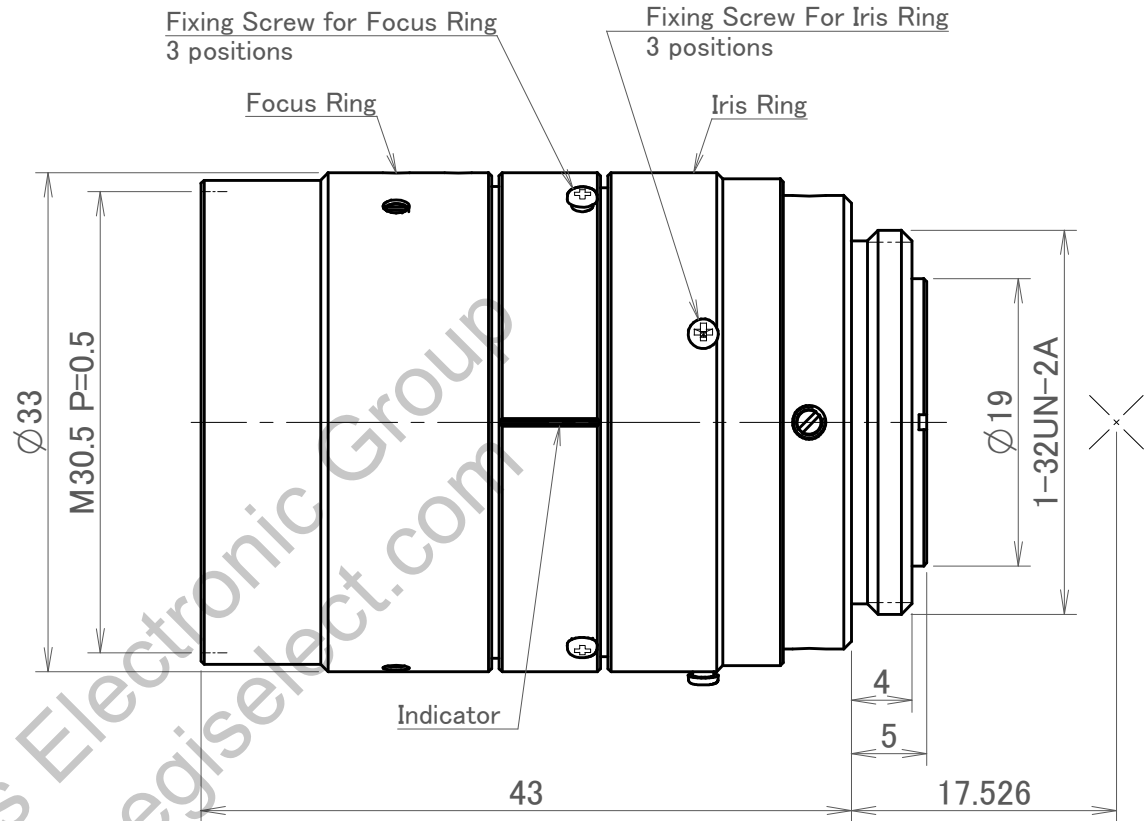
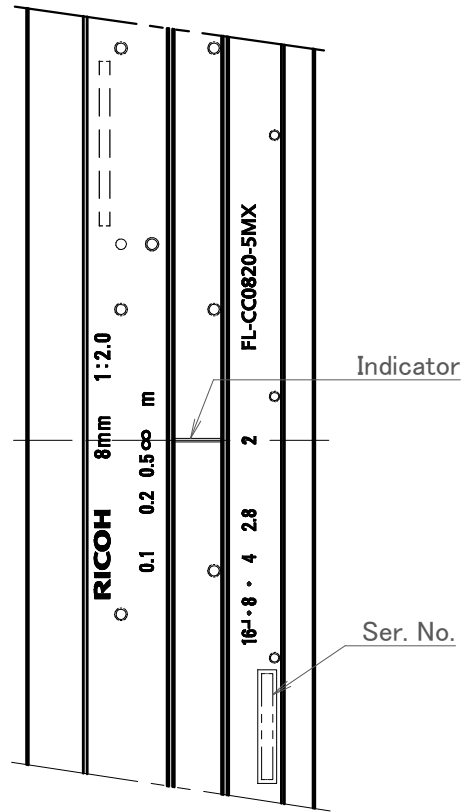
SPEC. INFO	FL-CC0820-5MX	K66886-S001-B23
		Aug. 30. 2019

3-5. Environmental Temperature Range -10°C to $+50^{\circ}\text{C}$

4. Accessories

- | | | |
|---------------------------------------|----------|----------------------|
| (1) Front Lens Cap | 1 piece | |
| (2) Rear Lens Cap | 1 piece | |
| (3) Fixing Screw for Focus ,Iris Ring | 6 pieces | |
| (4) Thumbscrew for Focus ,Iris Ring | 2 pieces | (for Optional Usage) |
| (5) Instruction Manual | 1 sheet | |
| (6) Packing Box | 1 piece | |

Aegis Electronic Group
www.aegiselect.com



SPEC. INFO	FL-CC0820-5MX
	K66886-S001-B33
Aug.30.2019	