

SPECIFICATIONS

Format / Model	ATC-HZ8930T-LTN	ATC-HZ8930T-LPN
Video System		
Image Sensor	1/3.1" 3.20M Global shutter CMOS Image Sensor	
Effective Pixels	2064(H)x1552(V), Unit Cell Size(2.25μm X 2.25μm)	
Output Format	LVDS/HD-SDI/CVBS:1080p60/50/30/25, 720p60/50/30/25, 1080i60/50 AVI:1080p30/25 TVI:1080p30/25, 720p60/50/30/25 EX-SDI:1080p60/50/30/25, 720p60/50/30/25	LVDS/PARALLEL/CVBS:1080p60/50/30/25, 720p60/50/30/25, 1080i60/50
Sensor Operating System	Sensor Master	
Sync System	Internal	
CVBS scale	16:9 / 4:3 (CVBS 960H)	
LVDS mode	Single / Dual	
Video Output	HD-SDI/EX-SDI(1.0_2.0_2.1_3.0(TBD))/ CVBS/LVDS HD-TVI / HD-AVI	LVDS / Parallel / CVBS
Min. illumination		
Day	T.B.D	
Night (ICR on)	T.B.D	
S/N ratio	More than 52 dB	
Optical Lens		
Zoom Magnification	X30	
Focal Length	4.3 to 129 mm	
Horizontal-Angle	53.62°(W) ~ 1.91°(T)	
Vertical Angle	31.16°(W) ~ 1.1°(T)	
F-value	F1.6(W) ~ F5.0(T)	
Zoom		
Maximum Zoom Ratio	x1 ~ x360	
Optical Zoom Ratio	x1 ~ x30	
Digital Zoom Ratio	x1 ~ x12	
Digital Pan/Tilt	-	
Speed (Focus Tracking On)	3.79 ~ 89.29 sec	
(Focus Tracking Off)	2.8 sec	
Focus		
Control Mode	Auto / Interval / One Shot(=Zoom Trigger, One Push) / Manual / Preset	
Focal Range	Infinity~ 1.0m(T)-0.01m(W)	
IR correction	Standard/IR Light/user -20~+20	
Day & Night		
D&N mode	Auto / Color (Day) / B&W (Night) / EXT-H / EXT-L	
White Balance	Auto / Indoor / Outdoor / One Push / ATW / Manual	
Exposure		
AE mode	Auto / Iris Priority / Shutter Priority / Manual	
Brightness (Exp.Comp)	1~20	
AGC Max	OFF~48dB	
Manual Shutter	1/1,1/2,1/4(3),1/8(6),1/15(12),1/30(25),1/60(50) ~ 1/30000	
Manual AGC	OFF~48dB	
Manual Iris	F1.6 ~ F19, Close	
Sens-Up	Off ~ 32fields	
ETC	Slow AE response	

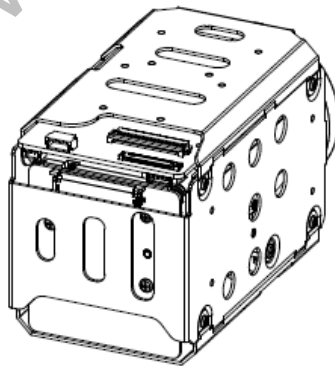
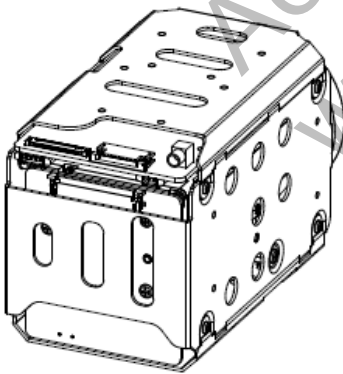
Format / Model	ATC-HZ8930T-LTN	ATC-HZ8930T-LPN
DSP functions		
Digital Slow Shutter	Max. 32 fields	
Image Freeze	Off / On	
Image Reverse (E-FLIP)	Off / Horizontal(mirror) / Vertical / H+V(180° flip)	
Privacy Masking	Spherical Privacy - 8-zone - Interlock / Non-Interlock Mask - 14 mask color selectable, semi-transparency - Pan(0°~360°), Tilt(+90°~90°)	
Title Display	16 characters (display position selectable)	
Motion Detect	4-Zone - Alarm output : OSD / Serial Communication	
D-WDR	Off/ Low/Middle/High	
WDR	WDR (Low/Middle/High)	
BLC	Off / 0 ~ 10, Area selectable	
HLC	Off / 0 ~ 20, Color selectable	
AGC	Max.48dB	
Sharpness	Adjustable(0~15)	
3DNR	OFF/Auto(Level:0~2)/Manual(Gain:0~255/THLD:0~255/FK:0~255)	
2DNR	OFF/Auto(Level:0~2)/Manual(Gain:0~255/THLD:0~255)	
Defog	Off/On(Low/Middle/High)	
Gamma	0.45/0.50/0.55/0.60	
Lens Shading	On / Off	
Defect Detection	Support	
Digital Image Stabilizer	On /Off	
Picture Effect	OFF /NEGATIVE/ BW (Monochrome Image)	
Trigger Input	Not Support	Off/Normal
Strobe Output		Off/Free run
Position Preset (zoom/focus)	Non-volatile 192 position(zoom/focus) presets.	
Memory Preset	16-presets & custom preset	
OSD	English / Russian / Spanish / German /French/ Portuguese / Chinese/ Japanese	
Coaxial Communication	TVI-UTC / AVI-UTC	
Communication (UART)		
Camera ID	0~255	
Remote Control	RS-232 TTL +5.0V (+3.3V Compatible)	
Control Protocol	VISCA, PELCO-D/P/C : Auto Detection	VISCA, PELCO-D/P : Auto Detection
Communication Speed	2400/4800/9600(default)/19200/38400/57600/115200bps selectable	
Power		
Supply Voltage	DC 12V (+9.0V ~ +15V)	
Supplied Current (motor on)	T.B.D	T.B.D
Consumption (motor on)	T.B.D	T.B.D
Physical		
WxHxD[mm], Weight[g] - Standard	50.0x58.8x90.5mm, Approx. 241g	
Temperature& Humidity		
Operating condition	Temperature (-10°C~50 °C / 14°F~122°F), Humidity (Less than 90%)	
Storage condition	Temperature (-20°C~60 °C / -4°F~140°F), Humidity (Less than 90%)	

INTERFACE SUMMARY

Interface & Video		ATC-HZ8930T-LTN	ATC-HZ8930T-LPN
Video Output	EX-SDI (V1.0 / V2.0 / V2.1 / V3.0(TBD))	○	
	HD-SDI	○	
	HD-TVI	○	
	HD-AVI	○	
	CVBS	○	○
	PARALLEL		◎
	LVDS	◎	◎
Interface	30pin Micro Coaxial (USL00-30L-A, 0.4mm)	◎	◎
	36pinFFC (FH12-36S-0.5SH, 0.55mm)		◎
	MMCX	○	
	9pinFFC (52207-0933, 1.0mm)	○	
	4pin AVI / TVI (53261-0471, 1.25mm)	○	
	4pin CVBS&ADKey&12V (53261-0471, 1.25mm)		○
	3pin External D&N (SM03B-SRSS-TB,1.0mm)	○	○
	5pin Trigger&Strobe (SM05B-SRSS-TB, 1.0mm)		○
	2pin RS-485 (53261-0271, 1.25mm)	○	
	3pin RS-232TTL (SM03B-SRSS-TB,0.1mm)		○

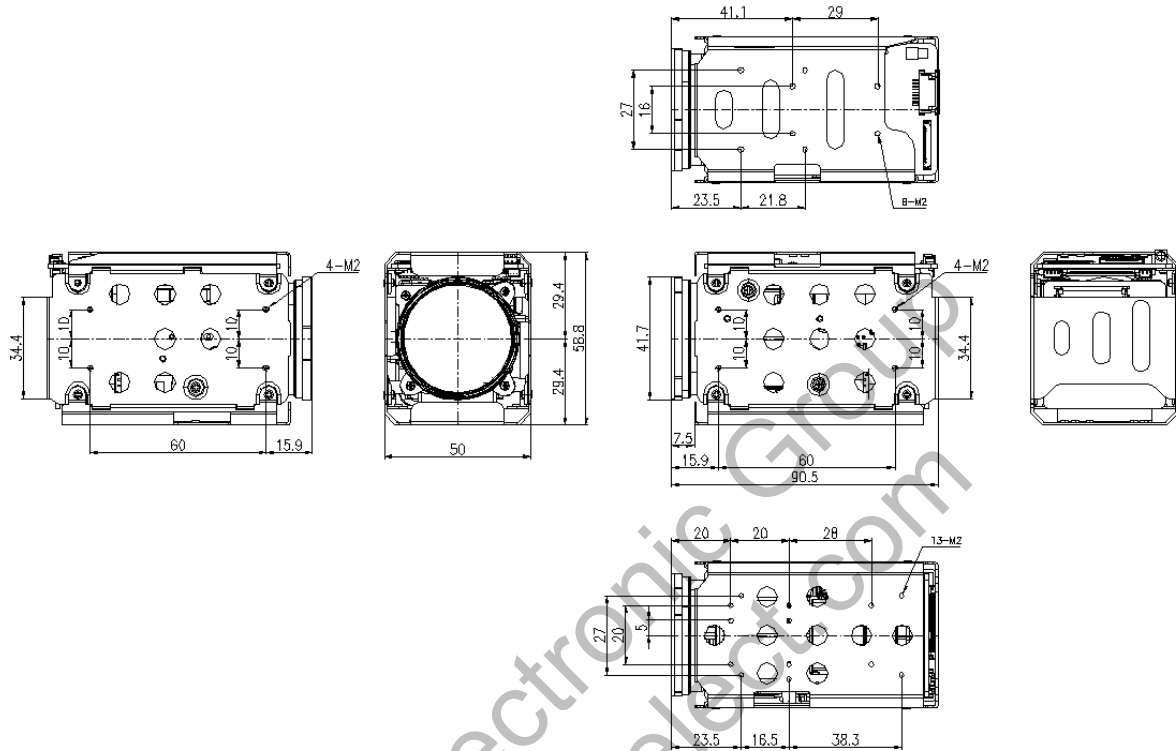
ATC-HZ8930T-LTN

ATC-HZ8930T-LPN



DIMENSION

DIMENSIONS ATC-HZ8930T-LTN



DIMENSIONS ATC-HZ8930T-LPN

