

5mp Mini Bullet Camera

IMB521-F4W

1/2.7" Mini Bullet Network Camera Installation Guide (Short Body Type)

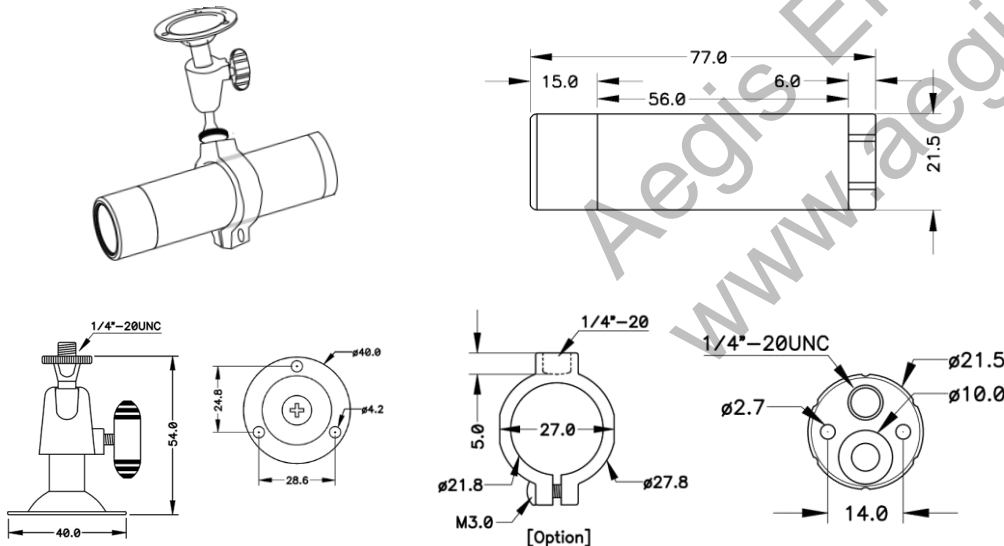
Main Features

- 5Mp Image Sensor
- Compress Format :H264/MJPEG
- Support Onvif
- POE Cable
- Corridor Mode
- HTML5 H.264 Streaming Support
- 4mm Fixed Lens
- Waterproof



1. OUTSIDE VIEW

Dimensions
Unit: mm



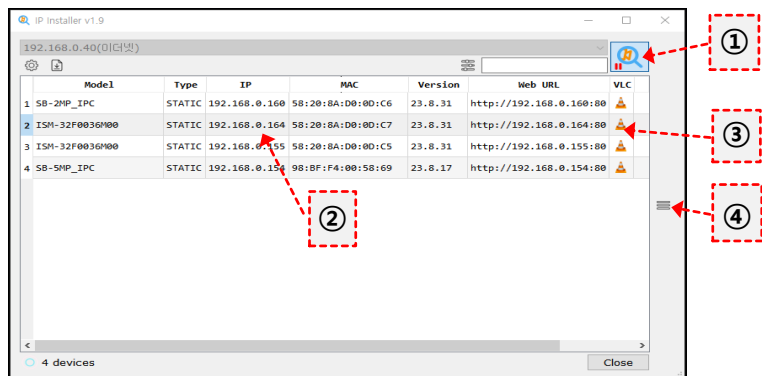
2. Product Specifications

Image Sensor	Image Sensor	1/2.7 Omnivision PureCel® CMOS	
	Size	1/2.7 inch	
	Scan method	Progressive Scan	
	Active Pixels	2688(H) x 1944(V), 5 Mega Pixels	
Camera Web Control	Video Streaming	NTSC / PAL	
	Exposure Shutter Speed	AUTO / Manual (1/30 ~1/30.000)	
	Exposure Compensation	EV+4 ~ EV-4	
	AGC	0~255 Step	
	Sens-up	OFF.x2.x4	
	Low Illumination	0.15Lux	
	Day & Night	AUTO / Day / Night / CDS / Schedule	
	Digital Noise Reduction	3DNR	
	Backlight Comp.	BLC / D-WDR	
	Motion Detection	OFF / ON	
	Image adjust	Brightness / Contrast / Sharpness / Gamma / Defog	
	Digital Effect	OFF / MIRROR / V-FLIP / ROTATE	
	Corridor Mode	90° / 270°	
	Privacy Area	4zone , Off / On	
	White Balance	Auto / Manual	
	OSD display	Text, Time, On/ Off	
	D-ZOOM	Smart D-Zoom	
Language	ENG / KOR / JAP / GER		
System	OS	Embedded Linux	
Network	Compress Format	H.264 / MJPEG	
	Bitrate control method	CBR / VBR	
	Interface (Ethernet)	POE Splitter	
	Protocol	TCP/IP, HTTP,HTTPS (Https Certificates available) RTP/RTSP, UDP, DHCP, FTP, NTP, ARP, ICMP	
	Resolution	Mainstream 1 _2592x1944 / 2560x1440 / 2048x1536 / 2304x1296 / 1920x1080 / 1280x720 Substream 2 _ 640x480, 640x360 Substream 3 _ 320x240	
	Max. Frame Rate	30fps @all resolution	
	Onvif	ONVIF (Profile S.T)	
	Web Browser	Chrome ,Edge,Firefox,Opera (HTML5 H.264 Streaming Support)	
	Lens	Focal Length	F=4mm Fixed Lens
	Genera	Power	IEEE 802.3af , 12VDC Max. 150mA
Operating Conditions		Temperature: - 20°C ~ +50°C	
Storage Conditions		Temperature: - 30°C ~ +60°C	
Default IP		192.168.1.100	
IP Cam Installer		ID: admin, P/W: admin https://tinyurl.com/2y5umthw	

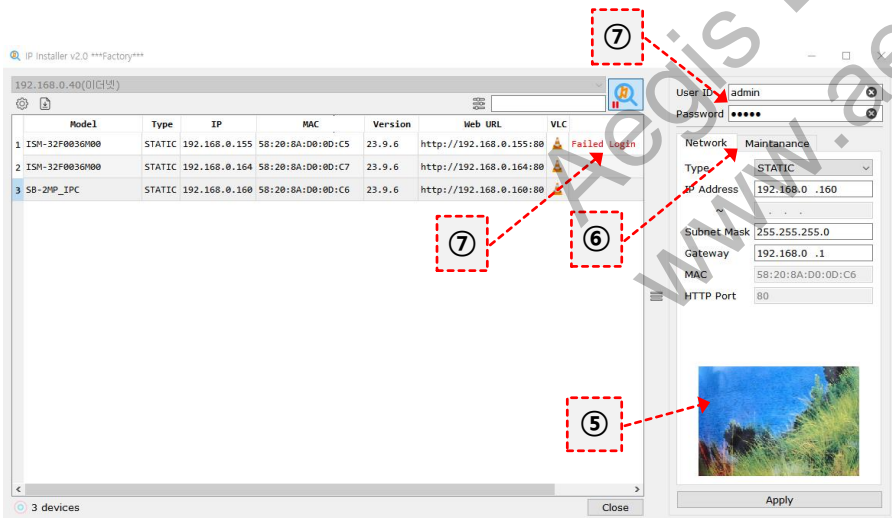
3. USING DEVICE SEARCH

If a camera is connected to the same network of the PC where device manager is installed, you can find network camera by using search function.

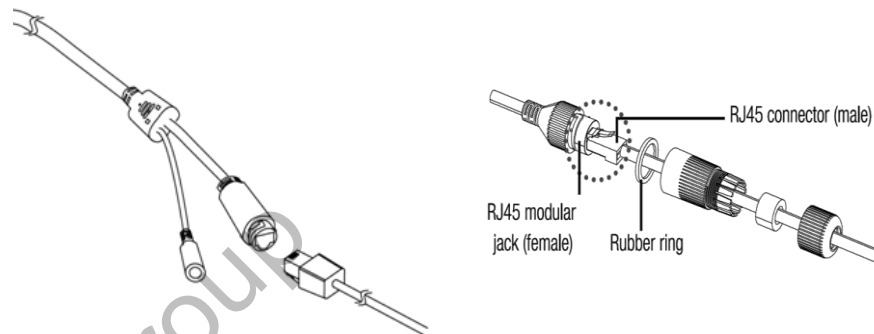
- ① Please click the start button at the IP camera search.
- ② Please choose the camera.
- ③ You can watch videos via RTSP by connecting to VLC media player.
- ④ If you click number 3, the SUB window will be activated and you can edit network information..
_To edit network information, activate the SUB window and enter ID,Password.



- ⑤ When you select a searched camera, a snapshot video appears in the bottom right.
- ⑥ You can edit and run network or maintenance.
_ Network (STATIC /DHCP , IP Address , Subnet Mask , Gateway)
_ Maintenance (Upgrade, Reboot, Factory Default (except network) , Date/Time)
- ⑦ If the camera, IP installer, ID, and password do not match, login failure will be displayed in red.
_ Enter the camera ID and password into the IP installer and click the search button (①).



4. Hardware Installation



1. Connect the camera to the network using a UTP cable (CAT.5), Power can be supplied via the network cable (PoE)
2. Connect DC 12V to the power terminal. This is not necessary if the network camera is connected to a PoE hub or midspan
3. Check that the indicator LEDs indicates the correct conditions.
4. Connect the RJ45 modular jack (female) to the RJ45 connector (male)

5. Package Contents

