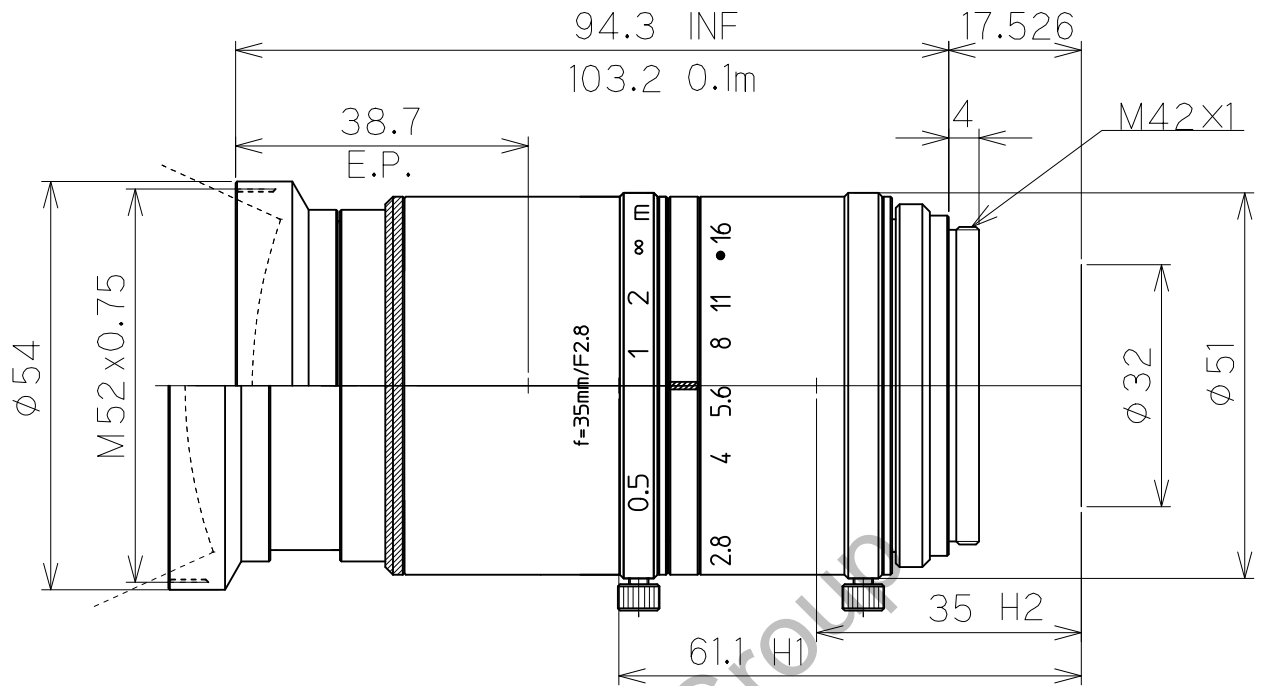


CONFIDENTIAL

環境関連物質管理規定に準拠



2" 2.8/35mm	2"	APS-C	4/3"
FOCAL LENGTH	f=35mm		
F-NUMBER	F=2.8-16		
PICTURE SIZE	25.6x19.6mm	22.3x16.7mm	18.4x13.8mm
ANGLE OF VIEW (∞)	VER. ANGLE	30.7°	26.9°
	HOR. ANGLE	40.2°	35.4°
	DIA. ANGLE	49.1°	43.4°
DISTORTION (TV)	0.12%	0.05%	-0.00%
FIELD OF VIEW (MINIMUM FOCUS DISTANCE)	VER.	57mm	50mm
	HOR.	76mm	67mm
	DIA.	96mm	83mm
MINIMUM FOCUS DISTANCE	0.1m		
FLANGE BACK	17.526mm in air		
BACK FOCUS	19.5mm in air		
FILTER SCREW-SIZE	M52x0.75		
FRONT/REAR EFFECTIVE DIA.	FRONT φ44.0mm		REAR φ26.6mm
MOUNT	M42x1		
EXIT PUPIL	-53.4mm		
TEMPERATURE RANGE	-10~+50°C		
STORAGE TEMPERATURE RANGE	-20~+60°C		
RESOLUTION CENTER/CORNER	CENTER 160lp/mm		CORNER 100lp/mm
WEIGHT	375g		

NOTE: Specifications and availability are subject to change without notice

注) 本仕様については、予告なしに変更する場合があります。



		尺度	1/1	工場番号	LM35VM42
		機種名	2" F2.8 / f=35mm		
		機種番	LM35VM42		
2020.12.8	作成年月日	S10-682			