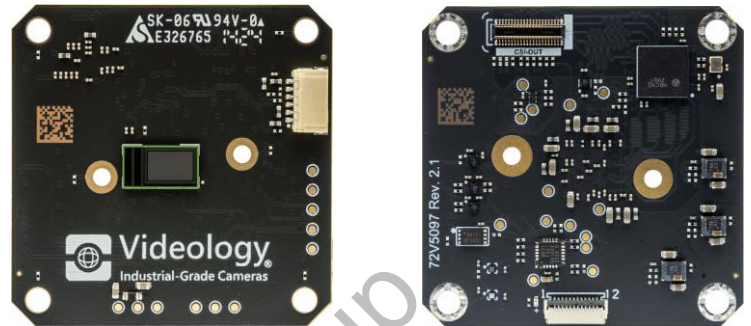
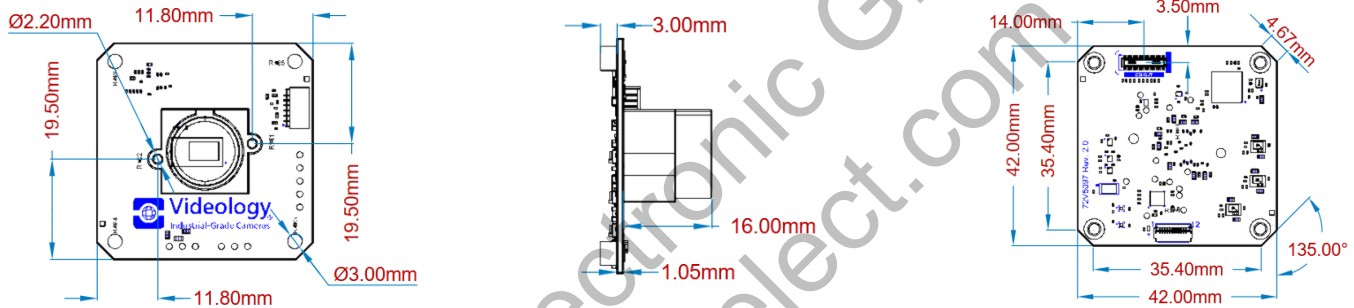


Product Features

- Global shutter 1/2.6" sensor
- SCAiLX 42x42 mm board size
- MIPI interface
- Controllable via I²C
- Pinhole, M12 and CS lens mount



Dimensions and Connectors



Technical specifications

Opto-Electrical

Image sensor	1/2.6" CMOS Sensor	
Pixel size	3.0 µm x 3.0 µm	
Effective image size	1920 x 1200	
Shutter type	Global Shutter	
Resolution	Up to 1920 x 1200	
Framerate	Up to 120 fps	
Dynamic range	71.4 dB	
Signal to Noise ratio	38 dB	
Sensitivity	Color	< 0.1 lux
	Monochrome	< 0.05 lux
Video output interfaces	MIPI	

Environmental

Operating Temp.	-25 °C ~ 70 °C (-13 °F ~ 158 °F)
Storage Temp.	-40 °C ~ 85 °C (-40 °F ~ 185 °F)
Operating Humidity	< 90% (non-condensing)
Storage Humidity	< 75%

Electrical

Supply Voltage	+5 V ± 10%	
Maximum Current	120 fps	220 mA
	60 fps	170 mA
	30 fps	140 mA
	Standby	17 mA
Power Standby	0.7 ~ 1.1 W < 85 mW	

Part numbering

SCAILX-2GS234-xy		
x	2	M12 pinhole lens mount
	5	M12 lens mount
	7	No lens mount
	8	CS lens mount
y	C	Color
	IR	Color, without IR filter.
	M	Monochrome



I.MX8M Plus Edge AI modular platform

2 MP Global Shutter camera

Mechanical

Dimensions WxHxD	Bare board	42 x 42 x 7.15 mm
	M12 lens mount	42 x 42 x 20 mm
Weight	Bare board	5.5 g
	M12 lens mount	15 g
	Pinhole mount	10.5 g

Accessories (optional)

Open lead cable for connector P200	WR-WTB 1mm-6p
Flex PCB connector cable for J400	SCAILX-FLEX-xxx

Video Formats and features

Selectable resolutions ¹	Max. 1920 x 1200
Features	<ul style="list-style-type: none"> • Sharpness control • Noise reduction • Digital zoom/pan • Sync, Trigger and Flash • Face detection • Mirror/Flip • Flexible video output format • Powerline frequency adjustment • Lens shading correction • Special effects

Connectors

Connector P200

WR-WTB 1mm 6p

01	Sync Output, PWM (3.3 V)
02	GND
03	FLASH (3.3 V)
04	GND
05	Sync Input (3.3 V) ²
06	+5V output

- Sync output is a free running PWM signal.
- FLASH is on during exposure.
- Sync input: exposure starts when sync input.
- FLASH-OUT, same as FLASH.
- TRIGGER_IN can be used as sync input.
- ALARM is high in error.
- PWR-ON, pull high to power on the camera.

Connector J400

DF40C-40DP-0.4V(51)

01	MIPI-CLK-N
03	MIPI-CLK-P
05	GND
07	MIPI-D0-N
09	MIPI-D0-P
11	GND
13	MIPI-D1-N
15	MIPI-D1-P
17	+5V
19	-
21	-
23	+5V
25	VIO (+3V3 output)
27	GND
29	MIPI-D2-N
31	MIPI-D2-P
33	GND
35	MIPI-D3-N
37	MIPI-D3-P
39	GND

02	GND
04	FLASH-OUT (3.3 V)
06	TRIGGER-IN (3.3 V)
08	GND
10	RSTN ³
12	ALARM (3.3V)
14	GND
16	PWR-ON (On = 1 V ~ 5 V) ⁴
18	+5V
20	-
22	-
24	+5V
26	I ² C-SCL (3.3 V) ⁵
28	I ² C-SDA (3.3 V)
30	GND
32	reserved
34	reserved
36	GND
38	reserved
40	reserved

