

# VZ-5MU-M/C 36H

Industrial Digital Cameras with USB3.0 Interface



**USB**<sup>®</sup>  
VISION

**GEN<i>i>CAM**

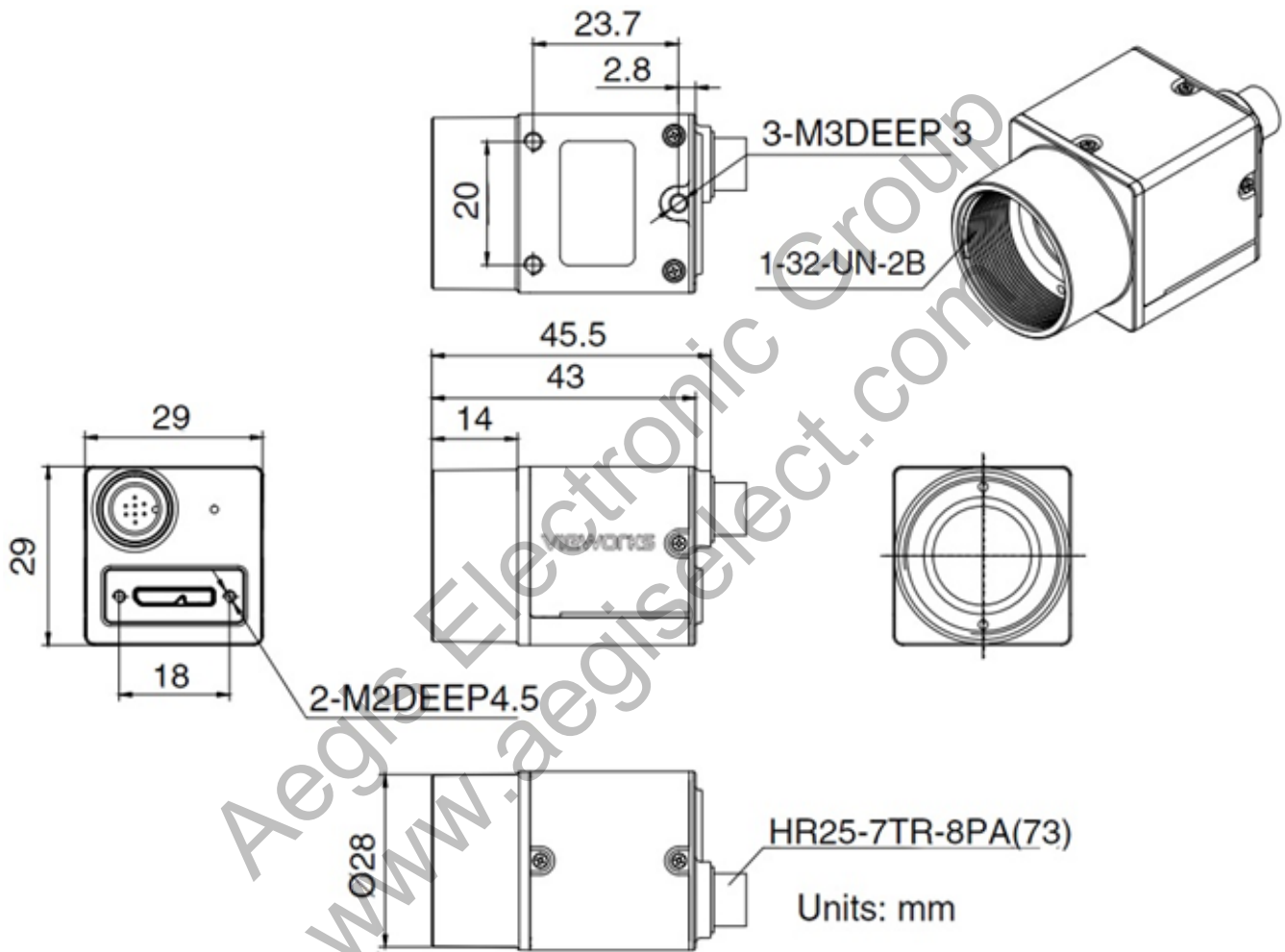
VZ-5MU-M/C 36H is a monochrome/color USB3.0 Vision camera with the Sony IMX264 CMOS sensor. Thanks to the extremely compact design (29mm x 29mm x 29mm), robust metal housings and locking screw connectors, the VZ-5MU-M/C 36H camera has an outstanding price and performance ratio. VZ-5MU-M/C 36H is ideal for machine vision applications such as industrial inspection, medical, scientific research, education, security and so on.

# VZ-5MU-M/C 36H

Industrial Digital Camera with USB3.0 Interface

## Mechanical Dimensions

Unit: mm



# VZ-5MU-M/C 36H

Industrial Digital Camera with USB3.0 Interface

## Main Features

- Trigger mode: Frame Start / Frame Burst Start
- Programmable LUTs and User Set Control
- Sequencer Control
- 16KB data storage area for saving algorithm coefficients and parameter configuration
- Multiple samples and easy-to-integrate SDKs for various programming tools
- Support Storable user sets, Timer and Counter
- Support Remove Parameter Limit to expand the range of exposure, gain, white balance, etc.
- Compatible with GenICam™ and USB3 Vision®

## Applications

- Industrial Inspection
- Medical Research
- Scientific Research
- Education
- Security

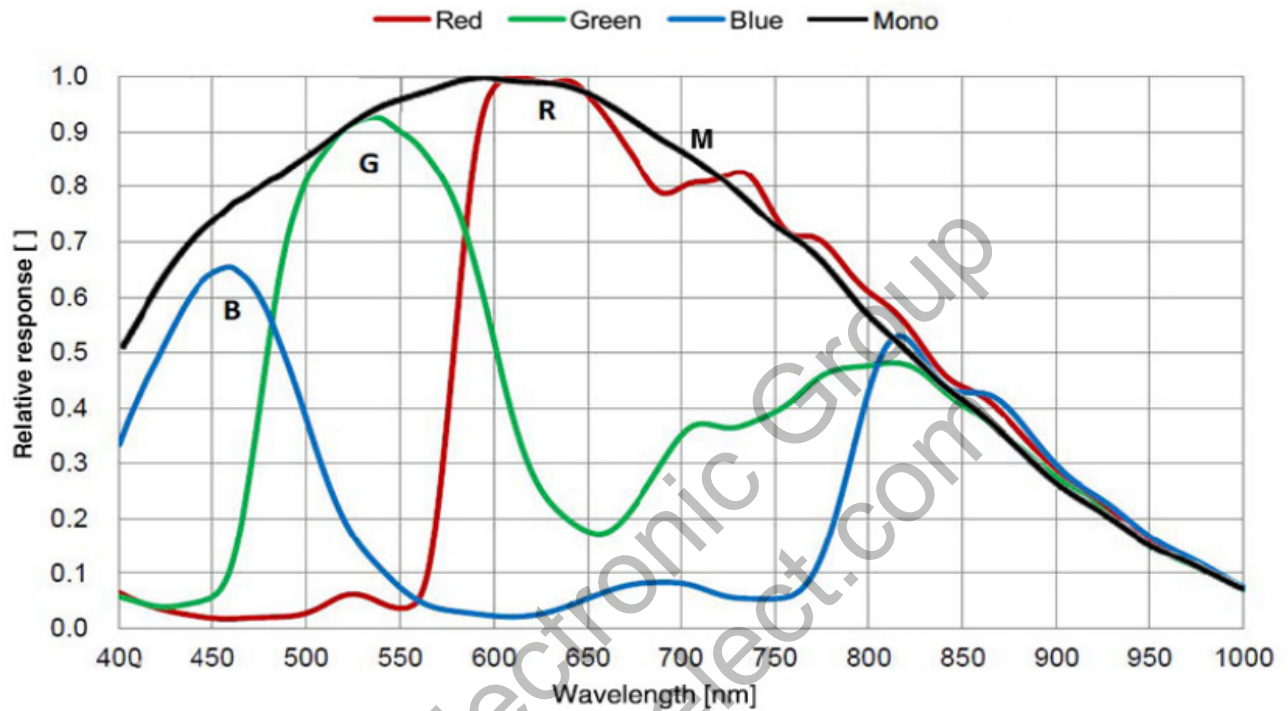
## Specifications

Model	VZ-5MU-M/C 36H00	
Resolution (H x V)	2448 x 2048	
Sensor	Sony IMX264 Global Shutter CMOS	
Pixel Size	3.45 $\mu\text{m}$ x 3.45 $\mu\text{m}$	
Data Interface	USB 3.0	
Frame Rate	36fps@2448 x 2048	
ADC Bit Depth	12 bit	
Pixel Bit Depth	8 bit, 10 bit	
Exposure Time	UltraShort: 1 $\mu\text{s}$ ~100 $\mu\text{s}$ , Actual Steps: 1 $\mu\text{s}$ Standard: 20 $\mu\text{s}$ ~ 1 s, Actual Steps: 1 row period	
Gain	0dB ~ 24dB, Default: 0dB, Steps: 0.1dB	
Mono / Color	Color	Mono
Pixel Formats	Bayer RG8, Bayer RG10	Mono8, Mono10
Single Noise Ratio	40.5dB	40.4dB
Synchronization	Hardware trigger, Software trigger	
I/O	1 input and 1 output with opto-isolated, 2 programmable GPIOs	
Temperature	Operating: 0°C ~ 45°C, Storage: -20°C ~ 70°C	
Operating Humidity	10% ~ 80%	
Power Requirements	5 VDC via USB cable	
Power Consumption	< 2.7W@5V	
Lens Mount	C	
Dimensions and Weight	29mm x 29mm x 29mm (without lens adapter or connectors), 65g	
Programmable Control	Image size, Gain, Exposure time, Trigger polarity, Flash polarity	
Conformity	CE, RoHS, FCC, USB3 Vision, GenICam, KC	

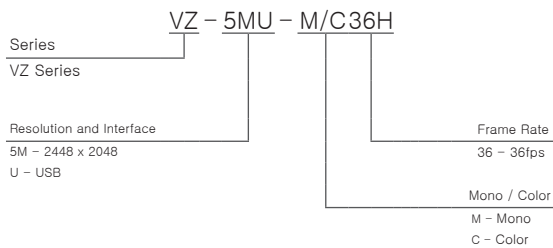
# VZ-5MU-M/C 36H

Industrial Digital Camera with USB3.0 Interface

## Spectral Response



## Ordering Scheme



## Connector Specification

Power/Control



- |           |                      |
|-----------|----------------------|
| 1: Line0+ | Opto-isolated input+ |
| 2: Ground | GPIO GND             |
| 3: Line0- | Opto-isolated input- |
| 4: NC     | NC                   |
| 5: Line2  | GPO input/output     |
| 6: Line3  | GPO input/output     |
| 7: Line1- | Opto-isolated input- |
| 8: Line1+ | Opto-isolated input+ |

Connectors on camera body