



VZ-55EHB

55" EXTREME NARROW BEZEL HIGH BRIGHTNESS LED VIDEO WALL MONITOR



VZ-55EHB ADVANTAGES

- 55" 1080p CCTV LED Monitor
- Extreme Narrow **0.9 mm** Metal Bezel & **700 cd/m²** High Brightness
- Supports Max 4K (3840x2160)/60 Video Signal & Serial Control Software
- Supports HDMI (2.0) In/Out, DVI-D In, DP In, VGA In
- Supports HDCP 1.4 / 2.2
- Daisy Chain System - HDMI up to 15 x 15
- Auto Source & Power Recovery
- Mullion Compensation Applied
- Advanced Heat Management
- Digital / Analog Inputs
- 3D Comb-Filter & High Contrast
- Built to run 24/7/365
- 3-Year Warranty



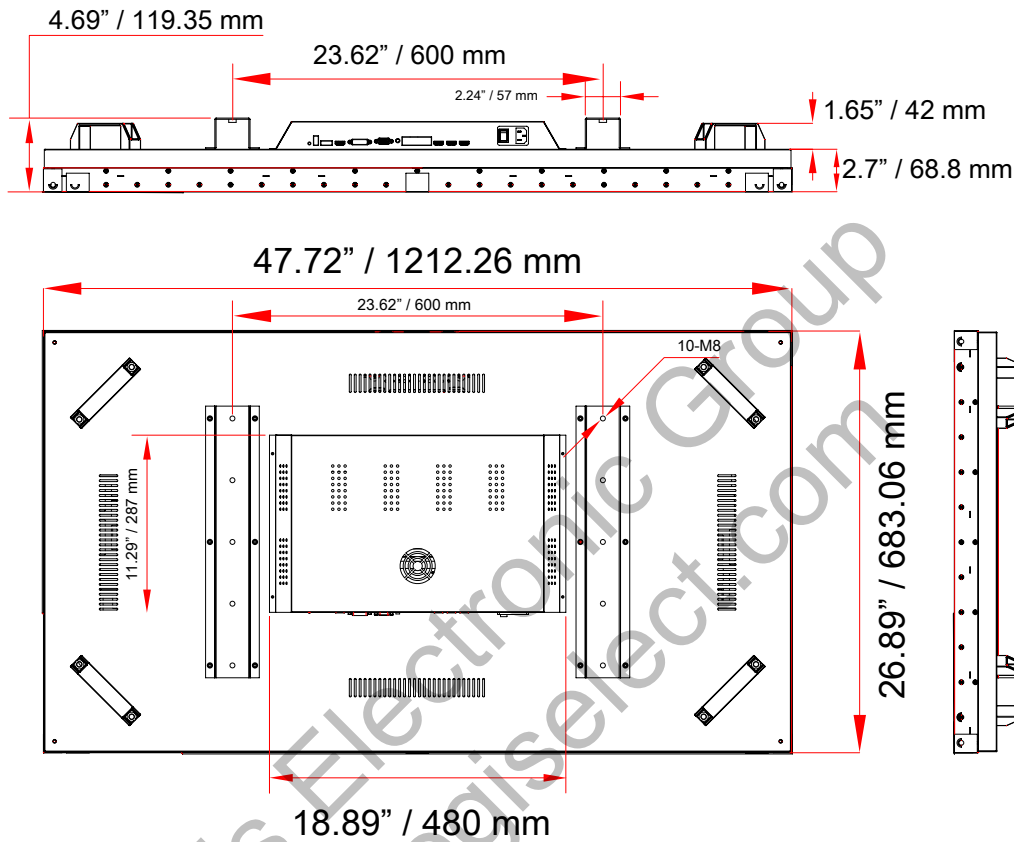
MODEL #		VZ-55EHB
VIDEO		
Screen Size	55"	
Max. Resolution	1920 x 1080 @60Hz	
Pixel Pitch	0.630mm x 0.630mm	
Brightness	700cd/m ² (Typical)	
Contrast Ratio	1000:1	
Aspect Ratio	16 : 9	
Viewing Angle (H/V)	178° / 178°	
Display Color	1.06 B (10 Bit)	
Response Time	< 8ms	
INTERFACE		
VGA In (15Pin D-Sub)	1	
DP In	1	
DVI-D In	1	
HDMI 1 In	1	
HDMI 2 In / Out (Daisy Chain)	1 / 2	
USB In (Upgrade)	1	
RS-232 (RJ-45) In	1 (Serial Control / IR Receiver)	
RS-232 (RJ-45) Out	2 (Serial Control)	
Audio Out	1	
SPECIAL FEATURES		
Bezel Width	TOP and LEFT Side	0.035" / 0.9 mm
	BOTTOM and RIGHT Side	0.035" / 0.9 mm
	ACTIVE AREA to ACTIVE AREA	0.070" / 1.8 mm (Bezel to Bezel)
Advanced Anti-Image Residual Correlation	Support	
3D Comb-Filter	Support	
Language	English, Spanish, French and Portuguese	
SUPPORT RESOLUTION		
HDMI 1 (2.0) In	3840 x 2160 @ 60Hz	
HDMI 2 (2.0) In / Out	3840 x 2160 @ 60Hz	
DP In	3840 x 2160 @ 30Hz	
DVI-D In	3840 x 2160 @ 30Hz	
VGA In	1920 x 1080 @ 60Hz	

DIMENSIONS & WEIGHT		
Outline Dimension (W x H x D)		47.72" x 26.89" x 4.69" (1212.26 mm x 683.06 mm x 119.35 mm)
Net Weight / Gross Weight		65.91 lb (29.9 kg) / 88.18 lb (40.0 kg)
MOUNT		
Universal		600 x (100 x 4) mm, M8 x 10 Screws
GENERAL		
Transmitter - IR Remote Control		YES
Power	Electrical Ratings	AC100 ~ 240V (50/60Hz)
	Consumption	180 W (Max) / 0.5 W (Standby)
Regulations		FCC, RoHS
Warranty	Parts/ Labor	3 Year / 3 Year
Operating Temperature		32 - 120°F / 0 - 50°C
Storage Temperature		32 - 140°F / 0 - 60°C
Operating Humidity (Non-Condensing)		20% ~ 80% RH
Compatible Mounts	Wall	VZ-XMS, VZ-WM71
	Ceiling	VZ-CMKIT-04
	Free Standing Mount	VZ-FSM2x2, VZ-FSM3x2
Package Includes	Manual x 1, Power Cable x 1, HDMI Cable x 1, CAT5 Cable x 1, Converter (RJ45 to RS232) x 1, Remote Control x 1, IR Receiver x 1	

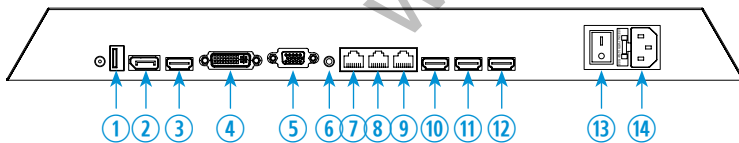
VZ-55EHB

55" EXTREME NARROW BEZEL HIGH BRIGHTNESS LED VIDEO WALL MONITOR

DIMENSIONS



INTERFACE



1. USB - For upgrading SW
2. DP IN
3. HDMI 1 IN
4. DVI-D IN
5. VGA IN
6. AUDIO OUT
7. RS232 (RJ-45) IN - Serial Control / IR Receiver
8. RS232 (RJ-45) OUT - A - Serial Control
9. RS232 (RJ-45) OUT - B - Serial Control
10. HDMI 2 IN (Daisy Chain)
11. HDMI 2 OUT - A (Daisy Chain)
12. HDMI 2 OUT - B (Daisy Chain)
13. POWER ON / OFF Switch
14. AC 100-240V IN