

LVDS / Parallel / CVBS

ATC- HZ5530T-LP

FHD 1.58MP High Resolution
30x Global Shutter Zoom Camera



features

- 1/2.9" Progressive Scan Global Shutter CMOS
- 360x AF Zoom
(30x optical zoom, 12x digital zoom)
- 1080p 60/50/30/25fps
- Mechanical Day&Night
- True WDR
- 3D DNR, Defog
- UART RS232-TTL (Pelco-D, Pelco C, VISCA, Hitachi)

1/2.9"

60/50fps
FHD

30x AF

CMOS

1080p

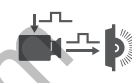
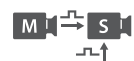
ZOOM



DNR



MOTION

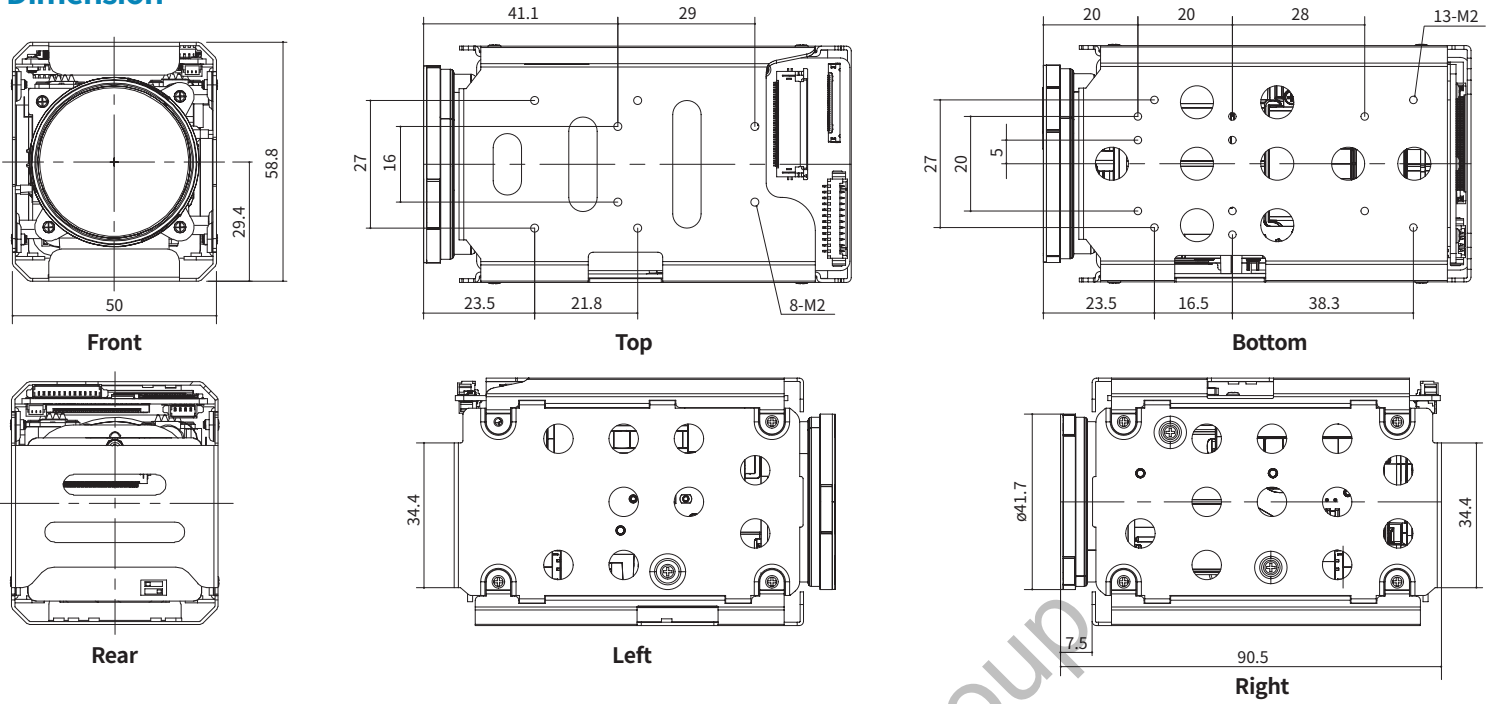
Trigger In /
Strobe OutExternal
syncGlobal
Shutter

Specifications

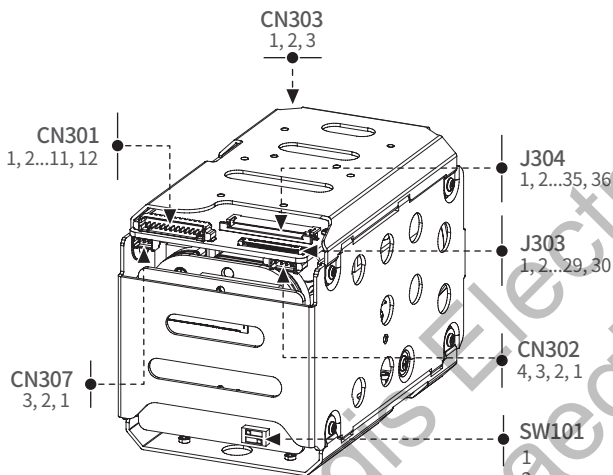
Image Sensor		1/2.9" Progressive Scan Global Shutter CMOS
Effective Pixels		1.58MP 1456(H) x 1088(V)
Video Output Mode	Common	LVDS / Parallel / CVBS
Max. Video Resolution		LVDS / Parallel : 1080p@60(50fps)
Synchronization system		Internal / External Option
Min. Illumination		Day mode: 0.1Lux(F1.6) Night mode: 0.08Lux(F1.6/ IR-cut filter on) Sens-Up off, AGC45dB
S/N Rate		More than 55dB(AGC off, Sens-Up off)
Type		AF Optical zoom lens(DC Iris), IR Corrective
Lens	Focal Length	f=4.3mm~129mm
	F-value	F1.6(W)~5.0(T)
	Angle of View	Horizontal 60.7°(W)~2.2°(T), Vertical 46.8°(W)~1.7°(T)
Zoom ratio		Optical 30x / Digital 12x
Focus Min. Working Distance		0.01m(Wide)/1.0m(Tele)~∞
Focus Control		Auto/Manual/Interval/One Push/Presets
AE Mode		Auto/Shutter Priority/Iris Priority/ AGC Priority/Manual
Brightness		0~14
Manual Shutter		1/1, 1/2, 1/4(3), 1/8(6), 1/15(12), 1/30(25), 1/60(50)~1/10000
Manual Iris		F1.6~F32, Close
Sense-up		Off~32fields
ETC		Spot AE, Slow AE
D&N Mode		Auto/Day(Color)/Night(BW)/External-H or L
White Balance		AUTO/ATW/Indoor/Outdoor/One Push/Manual
Image Freeze		Off/On
Image Flip		Off/Horizontal/Vertical/H+V(180° Flip)
Privacy Mask Zone		8 Zones/14 mask color selectable

Digital Image Stabilization		Yes
Motion Detection		4 Zones
D-WDR		Off/Low/Middle/High
WDR		Off/On, Adjustable (Level:0~29, Contrast:0~5, Bright:0~19)
BLC		Off/On, Area selectable
HLC		Off/On, Area selectable
AGC		Max.48dB, d2x ~ d9X
Sharpness		Adjustable(0~15)
3D-DNR		Off/Auto/Low/Middle/High
2D-DNR		Off/Auto/Low/Middle/High
Defog		Off/On/Auto
Preset		256 position Presets(Zoom,Focus), 16Memory Presets, Custom Preset
Language		English
Remote		RS232 TTL +5.0V(+3.3V compatible)
UART	Protocol	VISCA/Pelco-D/Pelco-P/ Hitachi: Automatic detection
	Baud rate	2400/4800/9600/19200/38400/57600/115200bps
Supply Voltage		12VDC(9V to 15VDC)
Power Consumption		Max.7.3W / Non-working zoom&focus 4.9W
Dimension(mm)		50x58.8x90.5mm
Weight		Approx.244g
Operating Temperature		-10°C~+50°C, Humidity(Less than 90%)
Storage Temperature		-20°C~+60°C, Humidity(Less than 90%)
Remark		

Dimension



Pin Assignment



SW101 is fixed the sensor slave (Switch 1: OFF, Switch 2: ON) It cannot be operated when using the other settings.

Pin no.	CN301(External I/O) / Molex : 53261-1271
1	Vsync_OUT
2	Hsync_OUT
3	VCLK_OUT
4	GND
5	Vsync_IN
6	Hsync_IN
7	VCLK_IN
8	GND
9	Trigger_Common
10	Trigger_IN
11	Strobe_Common
12	Strobe_OUT

Pin no.	CN302(CVBS) / Molex: 53261-0471
1	POWER IN : +12VDC
2	GND
3	VIDEO : CVBS Output
4	AD_KEY

Pin no.	CN303(External D&N) / JST: SM03B-SRSS-TB
1	Ext_D&N : External D&N Input
2	GND
3	+3.3V Out(For sensor)

Pin no.	CN307(RS-232 TTL) / JST: SM03B-SRSS-TB
1	GND
2	RXD : CMOS 3.3V Read Data
3	TXD : CMOS 3.3V Send Data

Pin no.	J303(Micro Co-Axial) / KEL Co. USL00-30L-C
1	TX_OUT3+
2	TX_OUT3-
3	TX_CLKOUT+
4	TX_CLKOUT-
5	TX_OUT2+
6	TX_OUT2-
7	TX_OUT1+
8	TX_OUT1-
9	TX_OUT0+
10	TX_OUT0-
11	GND
12	TXD : CMOS 5.0V Send Data (Compatible 3.3V)
13	RXD : CMOS 5.0V Read Data (Compatible 3.3V)
14	+12VDC
15	+12VDC
16	+12VDC
17	+12VDC
18	+12VDC
19	GND
20	GND
21	TX_OUT7+ : Single out mode (open)
22	TX_OUT7- : Single out mode(open)
23	TX_OUT6+ : Single out mode(open)
24	TX_OUT6- :Single out mode(open)
25	CVBS Output
26	RESET_IN : Reset - Low(GND), Normal(1.8V)
27	TX_OUT5+ : Single out mode (open)
28	TX_OUT5- : Single out mode (open)
29	TX_OUT4+ : Single out mode (open)
30	TX_OUT4- : Single out mode (open)

Pin no.	J304(FFC Connector) / Hirose : FH12-36S-05SH(55)
1	GND
2	Y_OUT[0]
3	Y_OUT[1]
4	Y_OUT[2]
5	Y_OUT[3]
6	GND
7	Y_OUT[4]
8	Y_OUT[5]
9	Y_OUT[6]
10	Y_OUT[7]
11	GND
12	C_OUT[0]
13	C_OUT[1]
14	C_OUT[2]
15	C_OUT[3]
16	GND
17	C_OUT[4]
18	C_OUT[5]
19	C_OUT[6]
20	C_OUT[7]
21	GND
22	VSYNC
23	HSYNC
24	GND
25	VCLK_OUT
26	GND
27	GND
28	GND
29	GND
30	GND
31	POWER IN : +12VDC
32	POWER IN : +12VDC
33	POWER IN : +12VDC
34	GND
35	TXD : CMOS 5.0V Send Data(Compatible 3.3V)
36	RXD : CMOS 5.0V Read Data(Compatible 3.3V)