

AXIS P5654-E Mk II PTZ Camera

77° wide angle PTZ with HDTV 1080p

This cost-effective PTZ camera offers great image quality in HDTV 1080p with 21x optical zoom and wide area coverage with 77° field of view. Thanks to Lightfinder 2.0 and Forensic WDR, it provides true colors and great detail in challenging light or near darkness. Including Axis Object Analytics, it can detect and classify people and vehicles- all tailored to specific needs. With IP66, NEMA 4X, and IK10 ratings, this robust and resistant camera can handle temperatures ranging from -30 °C to 50 °C (-22 °F to 122 °F). Furthermore, Axis Edge Vault safeguards your device and protects sensitive information from unauthorized access.

- > **HDTV 1080p with 21x optical zoom**
- > **Wide 77° field of view**
- > **Lightfinder 2.0 and Forensic WDR**
- > **Support for advanced analytics**
- > **Axis Edge Vault safeguards the device**



AXIS P5654-E Mk II PTZ Camera

Camera		Event conditions	Device status: above/below/within operating temperature, fan failure, IP address blocked, IP address removed, new IP address, network lost, system ready, live stream active, PTZ power failure, shock detected Edge storage: recording ongoing, storage disruption, storage health issues detected I/O: digital input, manual trigger, virtual input MQTT: subscribe PTZ: PTZ control queue, PTZ malfunctioning, PTZ movement, PTZ preset reached, PTZ ready Scheduled and recurring: schedule Video: average bitrate degradation, day-night mode
Models	AXIS P5654-E Mk II 50 Hz AXIS P5654-E Mk II 60 Hz	Event actions	Day-night mode Guard tour MQTT: publish Notification: HTTP, HTTPS, TCP and email Overlay text Preset position Recordings SNMP traps: send, send while the rule is active Tracking: start temporary detection, autotracking, autotracking profile Upload of images or video clips: FTP, SFTP, HTTP, HTTPS, network share and email WDR mode
Image sensor	1/2.8" progressive scan RGB CMOS	Built-in installation aids	Pixel counter
Lens	Varifocal, 4.0–84.6 mm, F1.6–4.5 Horizontal field of view: 77.0°–3.6° Vertical field of view: 43.1°–2.0° Autofocus and auto-iris	Analytics	
Day and night	Automatic IR-cut filter	AXIS Object Analytics	Object classes: humans, vehicles Features: line crossing, object in area, time in area Up to 10 scenarios Metadata visualized with trajectories, color-coded bounding boxes and tables Polygon include/exclude areas Perspective configuration ONVIF Motion Alarm event
Minimum illumination	Color: 0.11 lux at 50 IRE F1.6 Color: 0.1 lux at 30 IRE F1.6 B/W: 0.03 lux at 50 IRE F1.6 B/W: 0.01 lux at 30 IRE F1.6	Metadata	Object data: Classes: humans, faces, vehicles, license plates Confidence, position
Shutter speed	1/66500 s to 2 s	Applications	Included AXIS Object Analytics, AXIS Video Motion Detection, AXIS Motion Guard, AXIS Fence Guard, AXIS Loitering Guard, advanced gatekeeper, autotracker 2 Supported Support for AXIS Camera Application Platform enabling installation of third-party applications, see axis.com/acap
Pan/Tilt/Zoom	Pan: 360° endless, 0.1°–350°/s Tilt: 180°, 0.1°–350°/s Zoom: 21x optical, 12x digital, Total 252x zoom 256 preset positions, e-flip, limited guard tour, control queue, on-screen directional indicator, set new pan 0°, focus window, focus recall	Approvals	
System on chip (SoC)		Product markings	UL/cUL, UKCA, CE, KC, EAC, RCM
Model	ARTPEC-7	Supply chain	TAA compliant
Memory	1024 MB RAM, 512 MB Flash	EMC	CISPR 35, CISPR 32 Class A, EN 50121-4, EN 55035, EN 55032 Class A, EN 61000-3-2, EN 61000-3-3, EN 61000-6-1, EN 61000-6-2 Australia/New Zealand: RCM AS/NZS CISPR 32 Class A Canada: ICES-3(A)/NMB-3(A) Japan: VCCI Class A Korea: KS C 9832 Class A, KS C 9835 USA: FCC Part 15 Subpart B Class A Railway: IEC 62236-4
Compute capabilities	Machine learning processing unit (MLPU)	Safety	CAN/CSA C22.2 No. 62368-1 ed. 3, IEC/EN/UL 62368-1 ed. 3
Video		Environment	IEC 60068-2-1, IEC 60068-2-2, IEC 60068-2-6, IEC 60068-2-14, IEC 60068-2-27, IEC 60068-2-78, IEC/EN 60529 IP66, IEC/EN 62262 IK10, NEMA 250 Type 4X
Video compression	H.264 (MPEG-4 Part 10/AVC) Baseline, Main and High Profiles H.265 (MPEG-H Part 2/HEVC) Main Profile Motion JPEG	Network	NIST SP500-267
Resolution	1920x1080 HDTV 1080P to 320x180	Cybersecurity	ETSI EN 303 645
Frame rate	Up to 60/50 fps (60/50 Hz) in all resolutions	Cybersecurity	
Video streaming	Multiple, individually configurable streams in H.264, H.265 and Motion JPEG Controllable frame rate and bandwidth Axis Zipstream technology in H.264 and H.265 VBR/ABR/MBR H.264/H.265 Low latency mode	Edge security	Software: Signed firmware, brute force delay protection, digest authentication, password protection Hardware: Axis Edge Vault cybersecurity platform Secure element (CC EAL 6+), system-on-chip security (TEE), Axis device ID, secure keystore, signed video, secure boot, encrypted filesystem (AES-XTS-Plain64 256bit)
WDR	Forensic WDR: Up to 120 dB depending on scene		
Image settings	Compression, saturation, brightness, sharpness, contrast, local contrast, white balance, exposure control, exposure zones, defogging, day/night shift level, tone mapping, fine tuning of low-light behavior, rotation: 0°, 180°, text and image overlay, image freeze on PTZ, electronic image stabilization, scene profiles, 20 individual polygon privacy masks		
Image processing	Axis Zipstream, Forensic WDR, Lightfinder 2.0		
Network			
Network protocols	IPv4, IPv6, USGv6, ICMPv4/ICMPv6, HTTP, HTTPS ^a , HTTP/2, TLS ^a , QoS Layer 3 DiffServ, FTP, SFTP, CIFS/SMB, SMTP, mDNS (Bonjour), UPnP ^b , SNMP v1/v2c/v3 (MIB-II), DNS/DNSv6, DDNS, NTP, NTS, RTSP, RTP, SRTP/RTSPS, TCP, UDP, IGMPv1/v2/v3, RTCP, ICMP, DHCPv4/v6, ARP, SSH, NTCIP, LLDP, CDP, MQTT v3.1.1, Secure syslog (RFC 3164/5424, UDP/TCP/TLS), Link-Local address (ZeroConf), IEEE 802.1X (EAP-TLS), IEEE 802.1AR		
System integration			
Application Programming Interface	Open API for software integration, including VAPIX [®] , metadata and AXIS Camera Application Platform (ACAP); specifications at axis.com/developer-community . ACAP includes Native SDK. One-click cloud connection ONVIF [®] Profile G, ONVIF [®] Profile M, ONVIF [®] Profile S, and ONVIF [®] Profile T, specifications at onvif.org		
Video management systems	Compatible with AXIS Companion, AXIS Camera Station, video management software from Axis' Application Development Partners available at axis.com/vms		
Onscreen controls	Focus recall area Video streaming indicator Autotracking Privacy masks Day/night shift		

Network security	IEEE 802.1X (EAP-TLS) ^a , IEEE 802.1AR, HTTPS/HSTS ^a , TLS v1.2/v1.3 ^a , Network Time Security (NTS), X.509 Certificate PKI, host-based firewall	Box content	Camera, installation guide, smoked dome, RJ45 push-pull connector (IP66), hard ceiling mount, spring clip adapter, U-profile adapter pipe
Documentation	<i>AXIS OS Hardening Guide</i> <i>Axis Vulnerability Management Policy</i> <i>Axis Security Development Model</i> AXIS OS Software Bill of Material (SBOM) To download documents, go to axis.com/support/cybersecurity/resources To read more about Axis cybersecurity support, go to axis.com/cybersecurity	Optional accessories	AXIS T91B mounts, AXIS T94A02L recessed mount, outdoor RJ45 cable with premounted connector, AXIS T8133 Midspan 30 W 1-port, repaintable skin covers AXIS Surveillance Cards For more accessories, go to axis.com/products/axis-p5654-e-mk-ii#accessories
General		System tools	AXIS Site Designer, AXIS Device Manager, product selector, accessory selector, lens calculator Available at axis.com
Casing	IP66-, NEMA 4X- and IK10-rated Aluminum casing, polycarbonate (PC) dome Color: white NCS S 1002-B For repainting instructions, go to the product's support page. For information about the impact on warranty, go to axis.com/warranty-implication-when-repainting .	Languages	English, German, French, Spanish, Italian, Russian, Simplified Chinese, Japanese, Korean, Portuguese, Polish, Traditional Chinese, Dutch, Czech, Swedish, Finnish, Turkish, Thai, Vietnamese
Power	Axis PoE+ midspan 1-port: 100–240 V AC, max 37 W IEEE 802.3at, Type 2 Class 4 Camera consumption: typical 8 W, max 16 W (PoE+ midspan not included)	Warranty	5-year warranty, see axis.com/warranty
Connectors	Network: RJ45 10BASE-T/100BASE-TX PoE	Part numbers	Available at axis.com/products/axis-p5654-e-mk-ii#part-numbers
Storage	Support for microSD/microSDHC/microSDXC card Support for SD card encryption (AES-XTS-Plain64 256bit) Recording to network-attached storage (NAS) For SD card and NAS recommendations see axis.com	Sustainability	
Operating conditions	-30 °C to 50 °C (-22 °F to 122 °F) Maximum temperature (intermittent): 55 °C (131 °F) Humidity 10–100% RH (condensing)	Substance control	PVC free RoHS in accordance with EU RoHS Directive 2011/65/EU and EN 63000:2018 REACH in accordance with (EC) No 1907/2006. For SCIP UUID, see echa.europa.eu
Storage conditions	-40 °C to 65 °C (-40 °F to 149 °F) Humidity 5–95% RH (non-condensing)	Materials	Screened for conflict minerals in accordance with OECD guidelines To read more about sustainability at Axis, go to axis.com/about-axis/sustainability
Dimensions	For the overall product dimensions, see the dimension drawing in this datasheet.	Environmental responsibility	axis.com/environmental-responsibility Axis Communications is a signatory of the UN Global Compact, read more at unglobalcompact.org
Weight	2.5 kg (5.5 lb)	<p>a. This product includes software developed by the OpenSSL Project for use in the OpenSSL Toolkit. (openssl.org), and cryptographic software written by Eric Young (eay@cryptsoft.com).</p>	

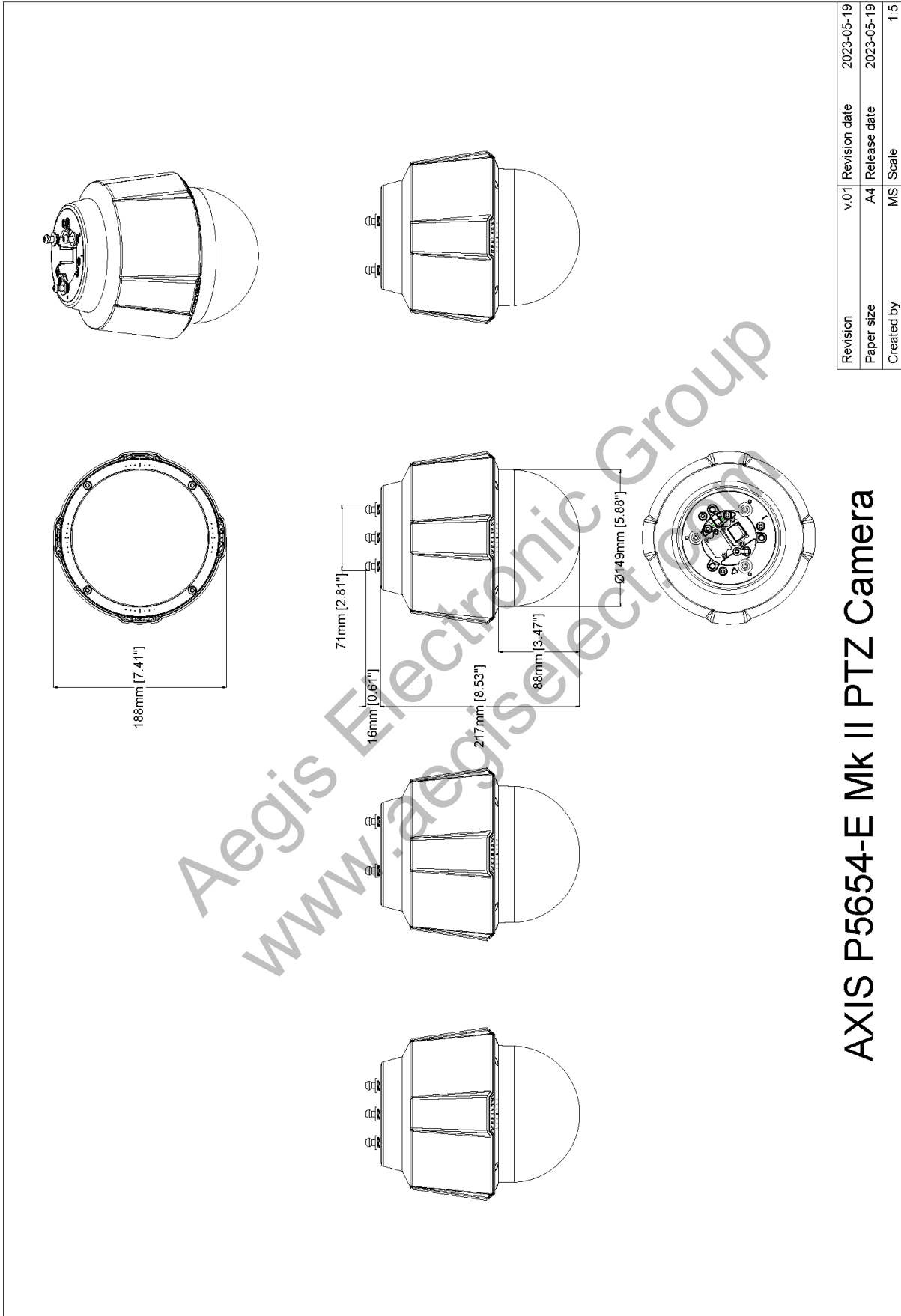
Detect, Observe, Recognize, Identify (DORI)

	DORI definition	Distance (wide)	Distance (tele)
Detect	25 px/m (8 px/ft)	57 m (187 ft)	1120 m (3674 ft)
Observe	63 px/m (19 px/ft)	23 m (75 ft)	450 m (1476 ft)
Recognize	125 px/m (38 px/ft)	11 m (36 ft)	225 m (738 ft)
Identify	250 px/m (76 px/ft)	6 m (20 ft)	110 m (361 ft)

The DORI values are calculated using pixel densities for different use cases as recommended by the EN-62676-4 standard. The calculations use the center of the image as the reference point and consider lens distortion. The possibility to recognize or identify a person or object depends on factors such as object motion, video compression, lighting conditions, and camera focus. Use margins when planning. The pixel density varies across the image, and the calculated values can differ from the distances in the real world.

Aegis Electronic Group
www.aegiselect.com

Dimension drawing



AXIS P5654-E Mk II PTZ Camera

Key features and technologies

AXIS Object Analytics

AXIS Object Analytics is a preinstalled, multifeatured video analytics that detects and classifies humans, vehicles, and types of vehicles. Thanks to AI-based algorithms and behavioral conditions, it analyzes the scene and their spatial behavior within – all tailored to your specific needs. Scalable and edge-based, it requires minimum effort to set up and supports various scenarios running simultaneously.

Axis Edge Vault

Axis Edge Vault is the hardware-based cybersecurity platform that safeguards the Axis device. It forms the foundation that all secure operations depend on and offers features to protect the device's identity, safeguard its integrity from factory and protect sensitive information from unauthorized access.

Establishing the root of trust starts at the device's boot process. In Axis devices, the hardware-based mechanism **secure boot** verifies the operating system (AXIS OS) that the device is booting from. AXIS OS, in turn, is cryptographically signed (**signed firmware**) during the build process. Secure boot and signed firmware tie into each other and ensure that the firmware has not been tampered with during the lifecycle of the device and that the device only boots from authorized firmware. This creates an unbroken chain of cryptographically validated software for the chain of trust that all secure operations depend on.

From a security aspect, the **secure keystore** is the critical building-block for protecting cryptographic information used for secure communication (IEEE 802.1X, HTTPS, Axis device ID, access control keys etc.) against malicious extraction in the event of a security breach. The secure keystore is provided through a Common Criteria and/or FIPS 140 certified hardware-based cryptographic computing module. Depending on security requirements, an Axis device can have either one or multiple such modules, like a TPM 2.0 (Trusted Platform Module) or a secure element, and/or a system-on-chip (SoC) embedded Trusted Execution Environment (TEE).

Signed video ensures that video evidence can be verified as untampered without proving the chain of custody of the video file. Each camera uses its unique video signing key, which is securely stored in the secure keystore, to add a signature into the video stream. This allows video to be traced back to the Axis camera from where it originated, so it's

possible to verify that the footage has not been tampered with after it left the camera.

To read more about Axis Edge Vault, go to axis.com/solutions/edge-vault.

Electronic image stabilization

Electronic image stabilization (EIS) provides smooth video in situations where a camera is subject to vibrations. Built-in gyroscopic sensors continuously detect the camera's movements and vibrations, and they automatically adjust the frame to ensure you always capture the details you need. Electronic image stabilization relies on different algorithms for modeling camera motion, which are used to correct the images.

Forensic WDR

Axis cameras with wide dynamic range (WDR) technology make the difference between seeing important forensic details clearly and seeing nothing but a blur in challenging light conditions. The difference between the darkest and the brightest spots can spell trouble for image usability and clarity. Forensic WDR effectively reduces visible noise and artifacts to deliver video tuned for maximal forensic usability.

Lightfinder

The Axis Lightfinder technology delivers high-resolution, full-color video with a minimum of motion blur even in near darkness. Because it strips away noise, Lightfinder makes dark areas in a scene visible and captures details in very low light. Cameras with Lightfinder discern color in low light better than the human eye. In surveillance, color may be the critical factor to identify a person, an object, or a vehicle.

Zipstream

The Axis Zipstream technology preserves all the important forensic in the video stream while lowering bandwidth and storage requirements by an average of 50%. Zipstream also includes three intelligent algorithms, which ensure that relevant forensic information is identified, recorded, and sent in full resolution and frame rate.

For more information, see axis.com/glossary